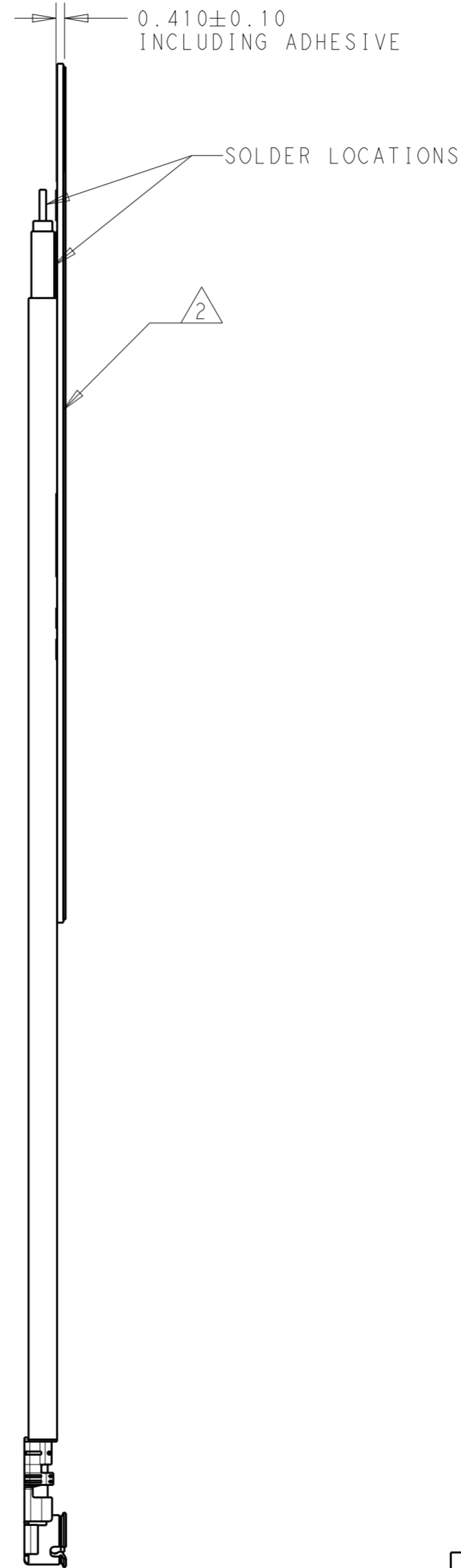
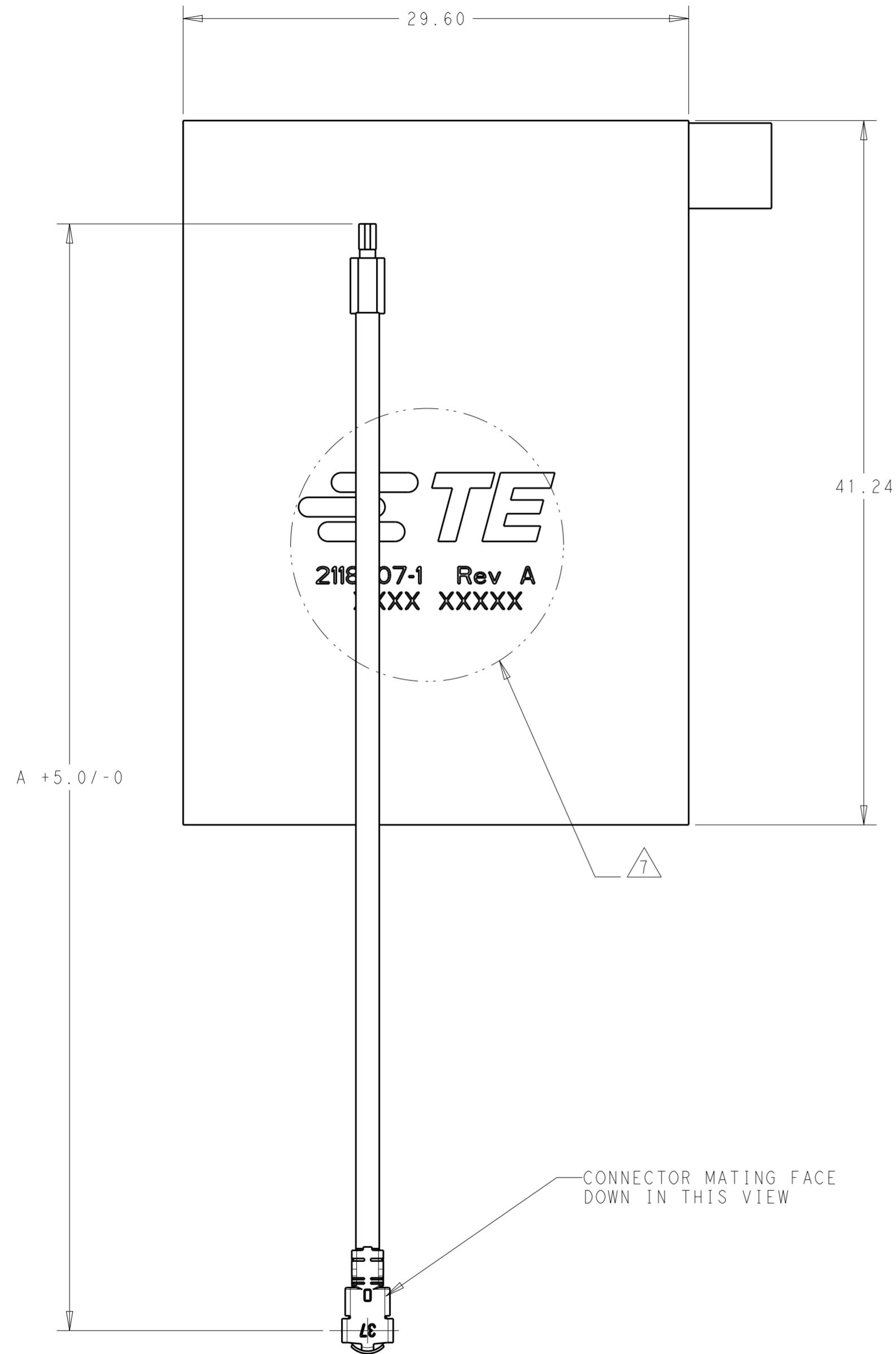


P	LTR	DESCRIPTION	DATE	DWN	APVD
A2		REV PER ECO-20-007878	05JUN2020	SJ	JH
A3		Updated drawing	10JUN2020	SJ	JH



- NOTES: UNLESS OTHERWISE SPECIFIED.
- FABRICATE TO MEET IPC - 6013, CLASS 2.
INSPECT TO MEET IPC - A - 600, CLASS 2.
 - MATERIAL :
A. FR-4 PCB + DOUBLE SIDED ADHESIVE 0.41 THK.
B. ADHESIVE WITH LINER ON THE BACK SIDE. REMOVE LINER TO APPLY
 - FINISH:
A: SOLDERMASK BOTH SIDES: ORANGE.
B: ENIG PLATING
 - GENERAL TOLERANCE : ±0.2.
 - PACKAGING: SINGULATED PARTS TO BE SECURELY BAG WRAPPED, BAGGED OR VACUUM PACKED IN BULK.
 - CONSULT TE CONNECTIVITY DATA SHEET DS2118907.
 - SILKSCREEN; WHITE EPOXY INK
A. TE LOGO, TE P/N
B. WORD REV., FOLLOWED BY THE LATEST REVISION LETTER, AS SHOWN.
C. 4 DIGIT DATE CODE : FIRST 2 DIGITS FOR THE WEEK CODE AND THE 2ND TWO DIGITS FOR THE YEAR CODE.
OTHERS : SPECIFIC TE SOURCE CODE NUMBER DIGITS AS REQUIRED.

150.00	2118907-1
A	PART NUMBER

THIS DRAWING IS A CONTROLLED DOCUMENT.		DWN S.J. NOH 29APR2020	TE Connectivity		
DIMENSIONS:		CHK H. SHIN 29APR2020			
mm		APVD JH. KIM 29APR2020			
TOLERANCES UNLESS OTHERWISE SPECIFIED: 0 PLC ± 1 PLC ± 2 PLC ± 3 PLC ± 4 PLC ± ANGLES ± FINISH -		PRODUCT SPEC -	NAME Wi-Fi 6E TRIPLE BAND EMBEDDED ANTENNA		
MATERIAL -		APPLICATION SPEC -	SIZE A2	CAGE CODE C-2118907	RESTRICTED TO
-		WEIGHT -	DRAWING NO C-2118907		SCALE 4:1 SHEET 1 OF 1 REV A3
CUSTOMER DRAWING					