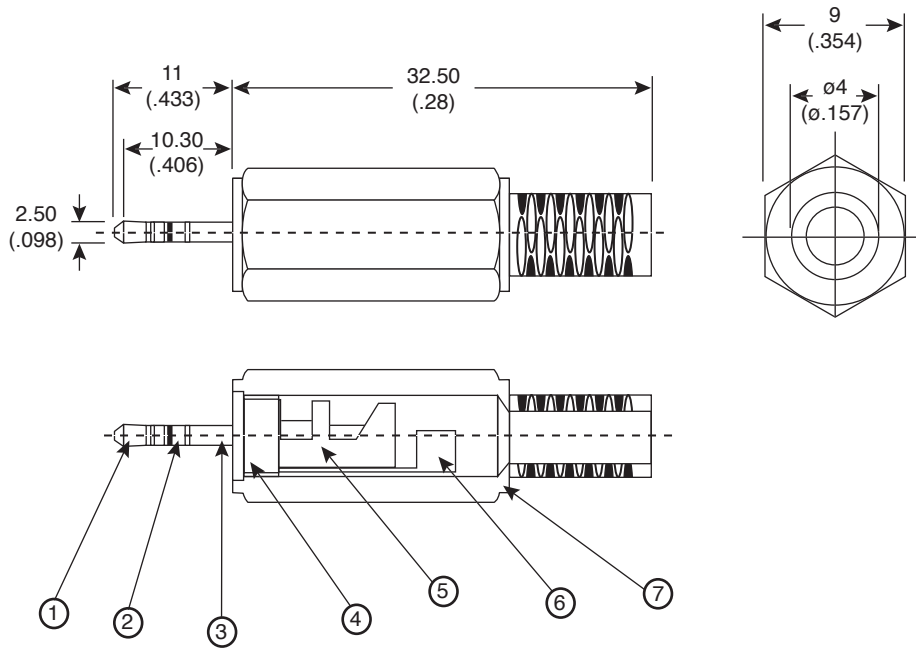


2.5mm Stereo Plug

171-0025-EX



2.5mm Stereo Plug



Dimensions: mm (In)

SPECIFICATIONS

Breakdown Voltage:	500VAc for 1 Minute
Insulation Resistance:	100M Ω min. @ 500VDC
Contact Resistance:	50m Ω max.
Tolerance:	± 0.5
Max Wire O.D.	3.8mm
RoHS Compliant by Exemption	

MATERIALS

No.	Part Name	Material	Finish
1	Contact A	Brass	Ni
2	Contact B	Brass	Ni
3	Contact C	Brass	Ni
4	Metal	Brass	Ni
5	Insulator	POM	---
6	Terminal	Brass	Ni
7	Cap	PE	---

Date Last Revised: 12-26-05

Available from Mouser Electronics
1-800-346-6873
www.mouser.com

KC-300882

171-0025-EX

Mouser Electronics

Authorized Distributor

Click to View Pricing, Inventory, Delivery & Lifecycle Information:

[Kobiconn:](#)

[171-0025-EX](#)