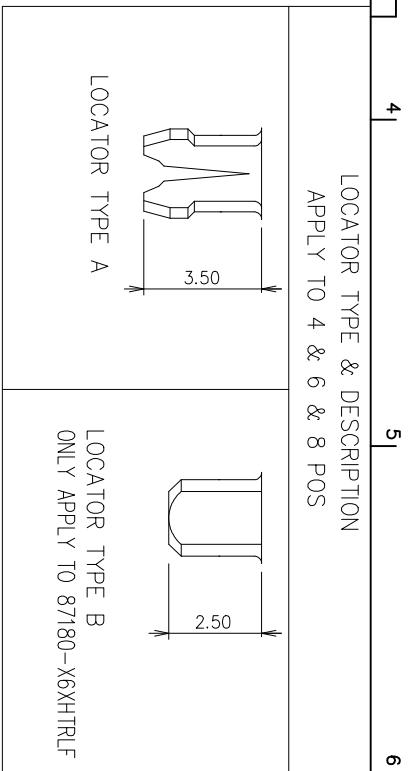
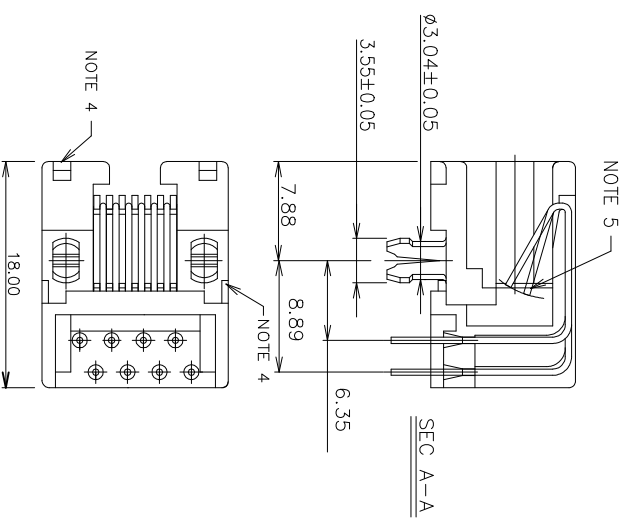
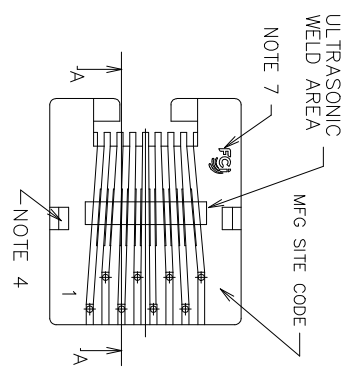
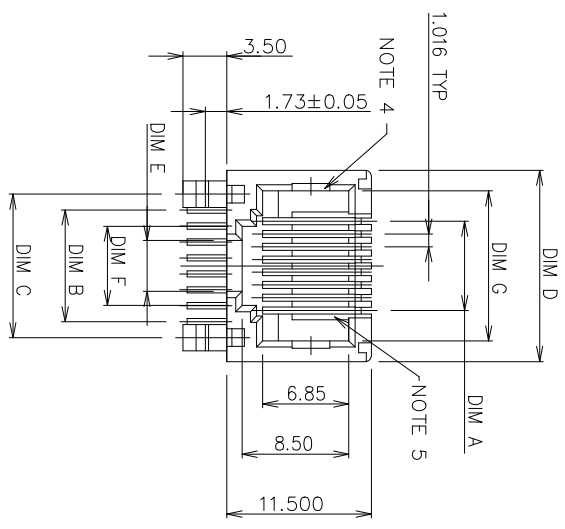




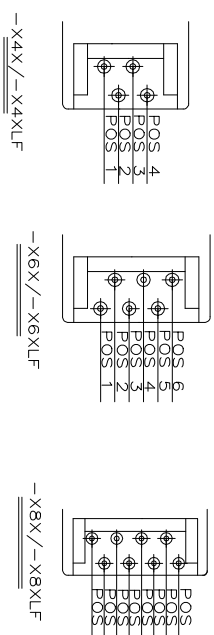
FIGURE 2 - 8 POS TYPE.



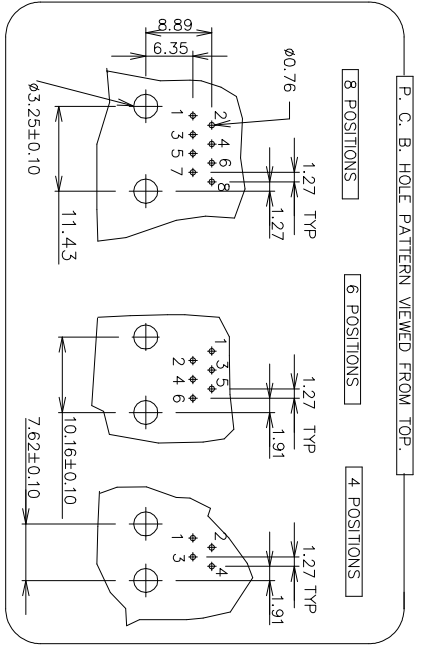
mat'l. code	surface	tolerance	projection	product family
AE	ISO 1302	ISO 406	ISO 1101	HPL_580
ecn no	dr	date	tolerances unless otherwise specified	title
				MOD JACK, FOR 1.6MM P.C.B.
angle	linear	mm	scale 1:1	dwg no
0±2°	0.00±0.15	0.00±0.30		87180
dr	laurence.zong	12/22/17		sheet 2 of 3
eng	laurence.zong	12/22/17		size
chr	Tim.Yao	12/22/17		A3
qppf	Tim.Yao	12/22/17		type
sheet index	revision	sheet		Product Customer Drawing

PRODUCT NUMBER	NUMBER OF POS.	DIM A	DIM B	DIM C	DIM D	DIM E	DIM F	DIM G	LOADED POSITION	TAIL LENGTH	HOUSING COLOR	PRODUCT FIGURE	LOCATOR TYPE
87180-X44/-X44LF/-X44HLF	4	3.05	3.81	7.62	11.20	3.05	5.50	7.87	ALL POS.	3.18MM			
87180-X42/-X42LF/-X42HLF									2,3	3.18MM			
87180-X66/-X66LF/-X66HLF									ALL POS.	1.90MM			
87180-X66HTRLF									ALL POS.	1.90MM			
87180-X64/-X64LF/-X64HLF	6	5.08	6.35	10.16	13.20	4.06	6.60	9.90	2,3,4,5 1,2,5,6 3,4	3.18MM		TYPE A TYPE B	
87180-X64A/-X64ALF/-X64AHLF									ALL POS.				
87180-X62/-X62LF/-X62HLF									3,4				
87180-X88/-X88LF/-X88HLF									ALL POS.				
87180-X88E/-X88ELF									ALL POS.				
87180-X86/-X86LF/-X86HLF									2,3,4,5,6,7				
87180-X84/-X84LF/-X84HLF	8	7.11	8.89	11.43	15.24	4.06	6.30	11.94	3,4,5,6 1,4,5,8 1,2,3,6 1,2,7,8	3.18MM		TYPE A	
87180-X84A/-X84ALF/-X84AHLF									ALL POS.				
87180-X84B/-X84BLF/-X84BHLF									ALL POS.				
87180-X84C/-X84CLF/-X84CHLF									ALL POS.				
87180-X88G/-X88GLF									ALL POS.				
87180-X84GSLF/-X84GSHXXLF									3,4,5,6				

LEAD FREE PRODUCT NO.  
 BLANK: STANDARD TUBE PACKAGE  
 TR: TAPE & REEL WITH NYLAR APPLY ONLY 87180-X6XHTRLF  
 MEETS PIP PROCESS PRODUCT NO.



WIRE POSITION NO



PLATING CODE X	PLATING
0	5u" Au + high performance lubricant
1	15 u" G.X.T.
2	20 u" GFPP
3	5u" Au + high performance lubricant
4	15 u" G.X.T.
5	50 u" G.X.T.
6	6 u" G.X.T.
7	2 u" G.X.T.
A	30u" GXT
B	30u" Au

NOTES:  
 1. RECOMMENDED P.C.B THICKNESS 1.60 MM  
 2. HOUSING MAT'L: HIGH TEMP THERMAL PLASTIC  
 UL94-V0, COLOR : SEE TABLE.

- CONTACTS: PHOS BRONZE ALLOY UNS-C51000, 50u" IN UNDER PLATING 0.460DIA. ROUND WIRE. PLATING SEE TABLE.
- APPEARS ON 8 POS TYPE (P/N 87180-X8X) ONLY.
- PROTRUDED SHELF ONLY APPEARS ON 8-POS JACK.
- STANDARD PACKAGING METHOD(USE TUBE): SEE GES-14-361.
- 87180-XXXXTRLF SPECIAL PACKAGE WITH TAPE & REEL
- COMPANY LOGO CAN BE "BERG" OR "DU PONT" OR "FCI", AND WOULD APPEAR IN THE SAME SHIPMENT UNLESS LOGO SPEC HEREIN IS UPDATED.
- THE PRODUCT MEETS EUROPEAN UNION DIRECTIVES AND OTHER COUNTRY REGULATIONS AS DESCRIBED IN GS-22-008.
- THE HOUSING WILL WITHSTAND EXPOSURE TO 260°C PEAK TEMPERATURE FOR 10 SECONDS IN A WAVE SOLDER APPLICATION WITH A 1.60mm MINIMUM THICK CIRCUIT BOARD.
- IF LF P/N PACKAGING MEETS GS-14-920 SPECIFICATION.
- EQUIVALENT THICKNESS AU AND GXT PLATING HAVE SAME FUNCTION AND THEY ARE ALTERNATIVE BY THE CUSTOMER.

mat'l. code	surface	tolerance	projection	product family
AE	ISO 1302	ISO 406	ISO 1101	HPL 580
	tolerances unless otherwise specified			
	angle	linear	mm	
	0±.2°	0.00±0.15	mm	
	dr	0.000±0.05	scale 1:1	
	dr	laurence.Zongli12/22/17		
	en	Laurence.Zongli12/22/17		
	chr	Tim.Yao 12/22/17		
	appd	Tim.Yao 12/22/17		
sheet index	revision		dwg no	sheet 3 of 3
			87180	size A3
			Product Customer Drawing	