

LOW PROFILE SHIELDED SMD CHIP POWER INDUCTOR



3.0 x 3.0 x 1.2mm

ASPI-0312FS



RoHS
Compliant

FEATURES:

- Small size and low profile: 1.2mm
- Small DCR and high rated current
- High reliability to mechanical stress
- Magnetically shielded by magnetic powder molding
- Suitable for RoHS reflow profile

APPLICATIONS:

- Mobile phones
- MP3 & 4 and other portable communication equipment
- Digital cameras.

ELECTRICAL SPECIFICATIONS:

Abracon P/N:	ASPI-0312FS Series
Operating Temperature & Humidity	-40°C to +125°C (Including self generated heat)
Storage Temperature & Humidity:	-40°C to +125°C

Part Number	Inductance	Inductance Tolerance	DCR	DCR Tolerance	Saturation Current	Temperature Rise Current
Units	μH	%	mΩ	%	A	A
Symbol	L	M, N	DCR		Isat	Irms
ASPI-0312FS-1R0	1.0	N	50	±20%	1.50	1.49
ASPI-0312FS-1R5	1.5	N	60		1.36	1.40
ASPI-0312FS-2R2	2.2	M	70		1.10	1.20
ASPI-0312FS-2R7	2.7	M	90		1.00	1.00
ASPI-0312FS-3R3	3.3	M	100		0.91	1.05
ASPI-0312FS-4R7	4.7	M	130		0.77	0.98
ASPI-0312FS-6R8	6.8	M	190		0.67	0.74
ASPI-0312FS-100	10.0	M	290		0.54	0.63
ASPI-0312FS-150	15.0	M	450		0.44	0.48
ASPI-0312FS-220	22.0	M	630		0.37	0.42
ASPI-0312FS-330	33.0	M	1030		0.31	0.33
ASPI-0312FS-470	47.0	M	1450		0.25	0.28

Test Conditions

1. Inductance is measured in HP-4285A Precision LCR Meter.
2. RDC is measured in HP 4338B milli ohm meter.(or equivalent).
3. Isat : Based on inductance change ($\Delta L/L_0 : \leq -30\%$)
4. Irms : Based on temperature rise ($\Delta T : 40^\circ\text{C TYP.}$)
5. Test Freq: 100KHz, 1Vrms

OPTIONS AND PART IDENTIFICATION

ASPI-0312FS--

Inductance Code
Please refer to the Electrical Spec Table

Tolerance
N: ±30%*
M: ±20%*

Packaging
T2: Tape and Reel (2kpcs / reel)

*N for L = 1.0 and 1.5μH

*M for L = 2.2 ~ 47μH

LOW PROFILE SHIELDED SMD CHIP POWER INDUCTOR



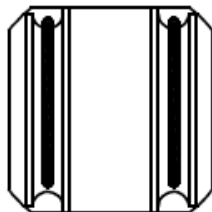
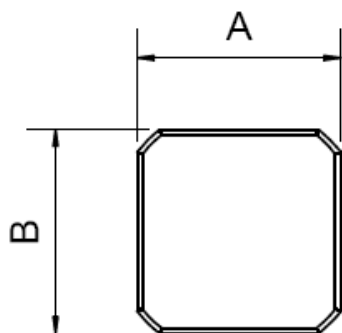
3.0 x 3.0 x 1.2mm

ASPI-0312FS

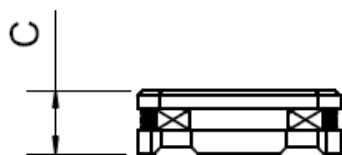


RoHS
Compliant

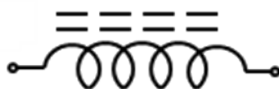
OUTLINE DRAWING:



A	B	C Max.
3.0±0.1	3.0±0.1	1.2

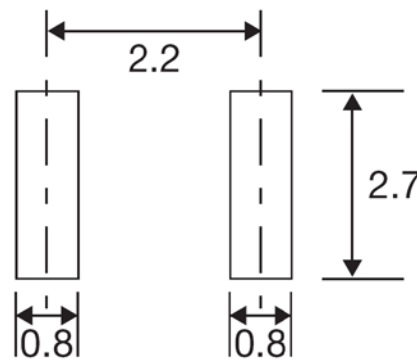


Circuit Schematic



No Polarity

Recommended Land Pattern



Dimension: mm

LOW PROFILE SHIELDED SMD CHIP POWER INDUCTOR



3.0 x 3.0 x 1.2mm

ASPI-0312FS

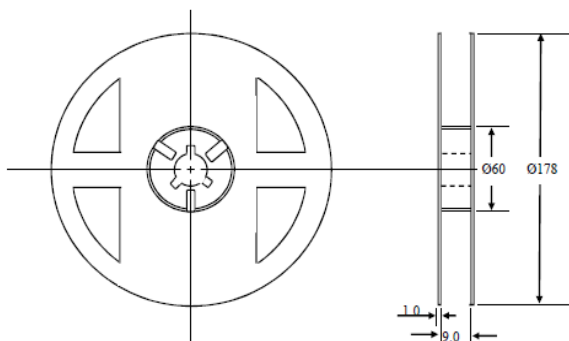
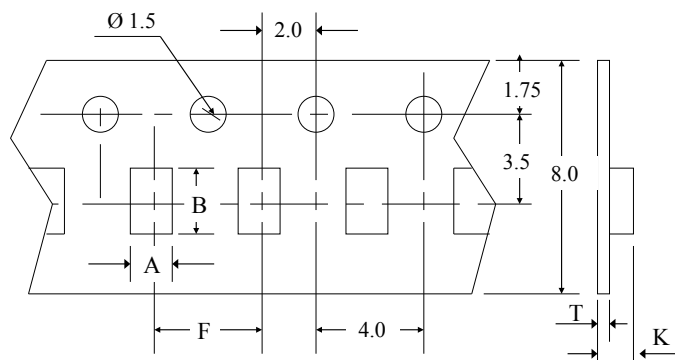


RoHS
Compliant

TAPE & REEL:

T2: 2,000pcs / reel

A	3.15
B	3.15
K	1.40
F	4
T	0.25



Dimension: mm

LOW PROFILE SHIELDED SMD CHIP POWER INDUCTOR



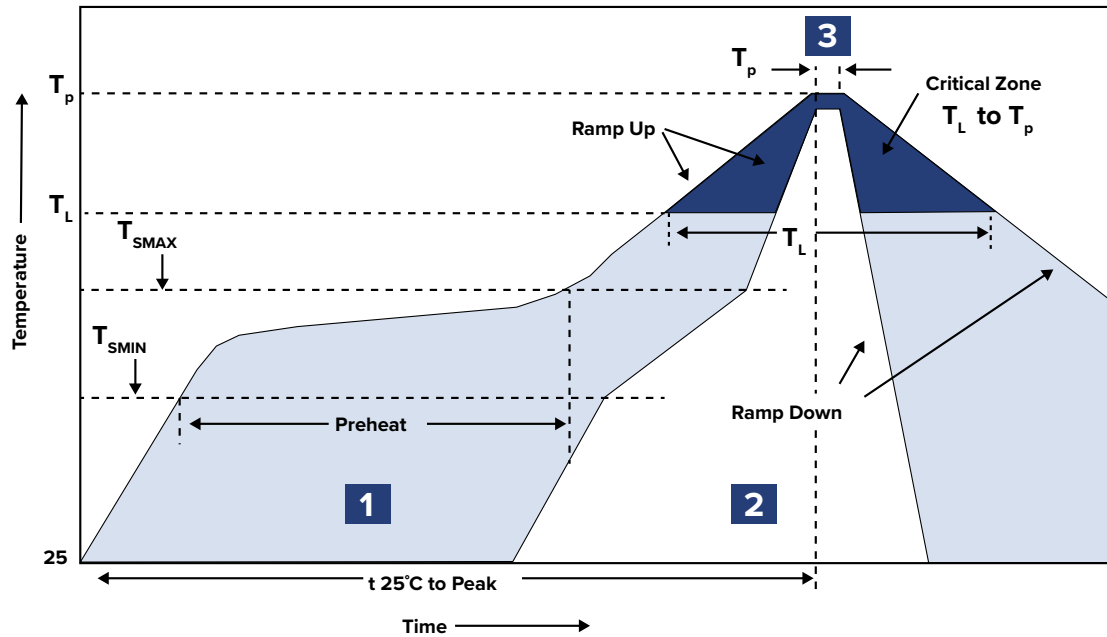
3.0 x 3.0 x 1.2mm

ASPI-0312FS



RoHS
Compliant

REFLOW PROFILE:



Zone	Description	Temperature	Time
1	Preheat / Soak	T_{SMAX} 150°C	60 ~ 100 sec.
2	Reflow	T_L 200°C	20 sec. MAX
3	Peak heat	T_P 260°C	10 sec. MAX

Dimension: mm

ATTENTION: Abracon Corporation's products are COTS – Commercial-Off-The-Shelf products; suitable for Commercial, Industrial and, where designated, Automotive Applications. Abracon's products are not specifically designed for Military, Aviation, Aerospace, Life-dependant Medical applications or any application requiring high reliability where component failure could result in loss of life and/or property. For applications requiring high reliability and/or presenting an extreme operating environment, written consent and authorization from Abracon Corporation is required. Please contact Abracon Corporation for more information.



5101 Hidden Creek Ln Spicewood TX 78669
Phone: 512-371-6159 | Fax: 512-351-8858
For terms and conditions of sales, please visit:
www.abracon.com

REVISED: 11-26-19

ABRACON IS
ISO9001-2015
CERTIFIED