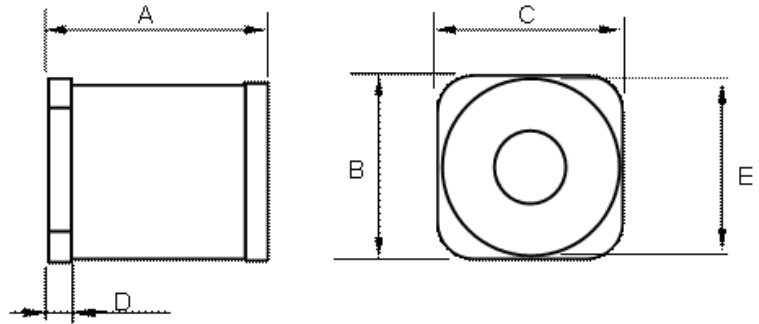
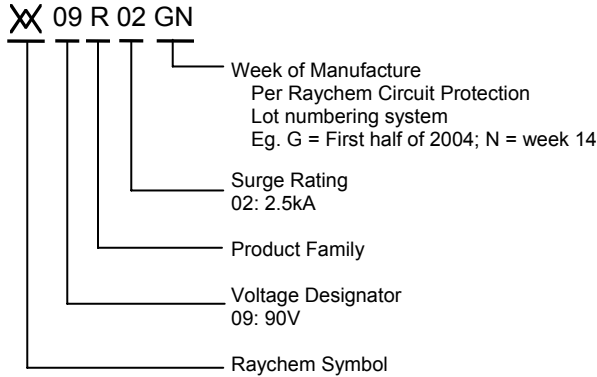


### Specification Status: Released

**Marking:**



**TABLE 1. DIMENSIONS**

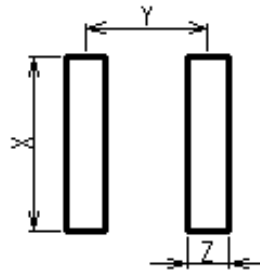
	A		B		C		D	E	
	Min	Max	Min	Max	Min	Max	Nom	Min	Max
mm	4.8	5.2	5.1	5.5	5.1	5.5	0.5	4.8	5.2
in*	(0.189)	(0.205)	(0.201)	(0.217)	(0.201)	(0.217)	(0.020)	(0.189)	(0.205)

\*Rounded off approximation

**TABLE 2. RECOMMENDED PAD LAYOUT**

	X	Y	Z
	Nom	Nom	Nom
mm	5.0	4.2	1.3
in*	(0.197)	(0.165)	(0.051)

\*Rounded off approximation



**TABLE 3. ELECTRICAL CHARACTERISTICS**

DC Spark over Voltage	Impulse Spark over Voltage	Insulation Resistance	Capacitance	Impulse Discharge Current 8/20 $\mu$ s	Impulse Discharge Current (8/20 $\mu$ s)	AC Discharge Current, 50 Hz
@ 100V/s	@1kV/ $\mu$ s	@50 V <sub>DC</sub>	@ 1MHz	Single Impulse	Repeat 10 times (5 times, each polarity)	Repeat 5 times 1s
90V $\pm$ 20%	600V	$\geq$ 1,000M $\Omega$	$\leq$ 1.0pF	5kA	2.5kA	2.5A

**General Characteristics**

No Radioactive Materials  
Storage temperature: -40°C ... +85°C  
Operating temperature: -40°C ... +85°C

**Materials Information**

RoHS Compliant  
ELV Compliant  
Directive 2002/95/EC Compliant  
Directive 2000/53/EC Compliant

UL: #E179610  
Precedence: This specification takes precedence over documents referenced herein.  
Effectivity: Reference documents shall be the issue in effect on the date of invitation for bid.  
CAUTION: Operation beyond the rated voltage or current may result in rupture, electrical arcing or flame.

OBSOLETE  
NOT the LATEST REVISION