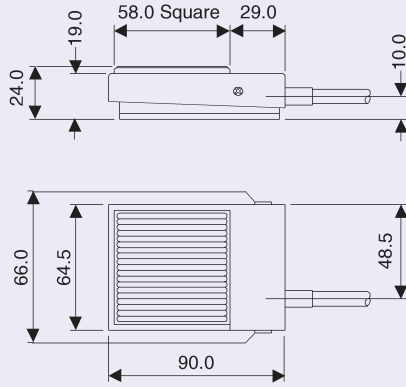
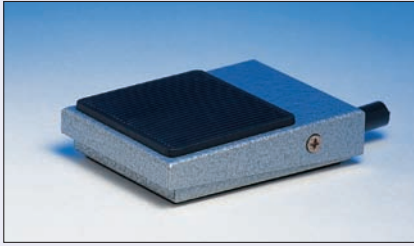
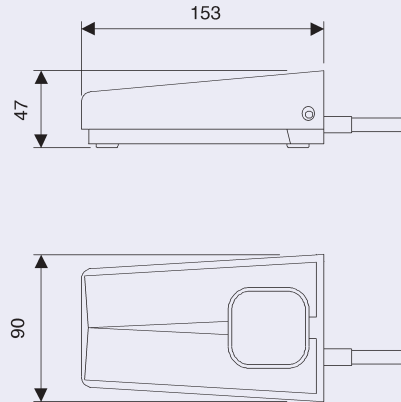


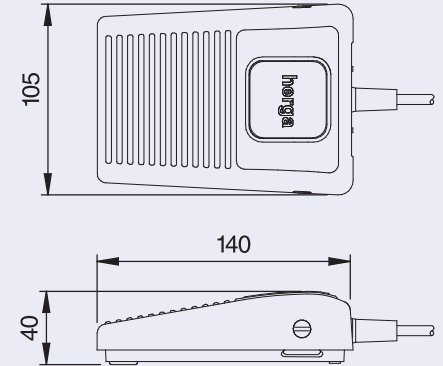
6289-0B



6254-0B



6210-0B



Benefits

- ❖ 6289 Colour options available upon request
- ❖ 6254 Strong conduit tubing
- ❖ 6210 Light, easy operation

- ❖ 6289 Compact, robust switching
- ❖ 6254 Aluminium construction for harsh environments
- ❖ 6210 Tough reinforced plastic

Model Number	6289-0B	6254-0B	6210-0B
Weight	248g	475g	200g
Guard Option	Available in 2 sizes upon request	Available in 1 size upon request	Available in 1 size upon request
Air Connection	Complete with 2m x 3mm bore tubing	Complete with 2m x 3mm bore tube with armour flex covering	Complete with 2m x 3mm PVC bore tubing
Alternative Air Connections	See note below	See note below	See note below
Body/Base Material	Painted 16 SWG mild steel	Diecast aluminium	Black glass filled nylon
Tread	Polypropylene	As cast	Black glass filled nylon
Bellows Material	Flexible PVC	Flexible PVC	Flexible PVC

Note: Each of the above product types can be purchased without tube fitted. These versions have an integral 4mm spout connector with restraining cap ideally suited for tubing 3mm bore 6mmØ (black PVC, part number 2311-08 and clear PVC, part number 2311-01) which can be purchased separately, at your required length. For guidance, please refer to tube length chart at the front of this catalogue.

for these product types please order / refer to product numbers 6289-0124, 6254-0031 and 6210-0033.

These versions are ideal for OEM customers unsure of required tube lengths and also for applications where replacement tubes are required, due to damage. (See accessories pages in rear of this section for tubing)

6289-0B

This small, compact, painted mild steel (standard grey hammer tone) foot control complete with 2 metres of black PVC tube 3mm bore 6mm O/D as standard can also be supplied with 2 types of safety guard to prevent accidental operation. Special logo's and colours can be provided upon request. A conduit tube version can be obtained upon request with length to suit your needs.

6254-0B

This foot control uses a substantial die-cast aluminium housing and is suitable for use in rough conditions. A safety guard can be provided to prevent accidental operation. The standard version is supplied with 2 metres of black PVC coated flexible steel conduit 10mm O/D containing a 3mm bore PVC tube, different lengths are available upon request.

6210-0B

This foot control uses a tough reinforced plastic housing for extra protection. The light operating force does not tire the operator who may be either seated or standing. A safety guard can be provided to prevent accidental operation. Special logo's and colours can be provided on quantity orders. Supplied with 2 metres of black PVC Tube 3mm bore 6mm O/D. A conduit tube version can be obtained upon request with length to suit your needs.