

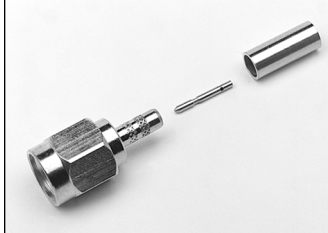
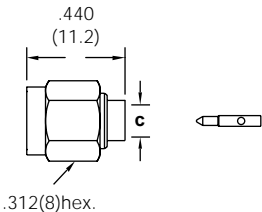
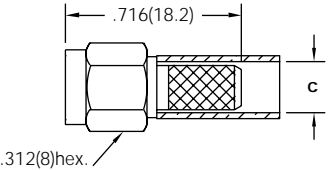
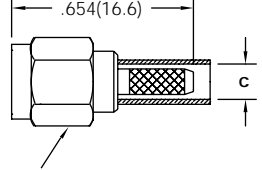


| | | |
|---|---|---|
| <p>Fig. 1</p>  | <p>Fig. 2</p>  | <p>Fig. 3</p>  |
|  <p>.440 (11.2)</p> <p>.312(8)hex.</p> <p>c</p> <p>SMA Solder Plug 901-9868-RFX▲ Gold Plated for .141" S/R 901-9867-RFX▲ Gold Plated for .085" S/R</p> |  <p>.716(18.2)</p> <p>.312(8)hex.</p> <p>c</p> <p>SMA Crimp Plug Captivated Center Contact 901-9870▲ Gold Plated for RG-58 901-9871▲ Gold Plated for RG-223, 141 901-9876-RFX▲ Nickel Plated for RG-58 901-10009-RFX Gold Plated for LMR 240 901-10010-RFX Gold Plated for LMR 200</p> |  <p>.654(16.6)</p> <p>.312(8)hex.</p> <p>c</p> <p>SMA Crimp Plug Captivated Center Contact 901-9877-RFX▲ Nickel Plated for RG-174, 188, 316 901-9916 Gold Plated for RG-174, 188, 316 901-10024-RFX Nickel Plated for RD-174, 188, 316 901-10025-RFX Gold Plated for RD-174, 188, 316</p> |

SMA BRASS PLUGS

| Cable RG-/U | Connector Description | Cable Attachment | | c Dia In. (mm) | CAI | Ins. | Notes | Amphenol Number | Fig. |
|------------------|-----------------------|------------------|--------|----------------|-----|------|-----------------|-----------------|------|
| | | Outer | Inner | | | | | | |
| 58 | Plug | Crimp | Solder | .210(5.3) | C53 | D1 | Captive Contact | ▲ 901-9870 | 2 |
| 58 | Plug | Crimp | Solder | .210(5.3) | C53 | D1 | Captive Contact | ▲ 901-9876-RFX | 2 |
| 174, 188, 316 | Plug | Crimp | Solder | .128(3.3) | C57 | D1 | Captive Contact | ▲ 901-9877-RFX | 3 |
| RD 174, 188, 316 | Plug | Crimp | Solder | .128(3.3) | C57 | D1 | Captive Contact | 901-9916 | 3 |
| RD 174, 188, 316 | Plug | Crimp | Solder | .128(3.3) | C57 | D1 | Captive Contact | 901-10024-RFX | 3 |
| 174, 188, 316 | Plug | Crimp | Solder | .128(3.3) | C57 | D1 | Captive Contact | 901-10025-RFX | 3 |
| 141, 223 | Plug | Crimp | Solder | .220(5.6) | C53 | D1 | Captive Contact | ▲ 901-9871 | 2 |
| .085" S/R | Plug | Solder | Solder | .090(2.3) | C47 | D1 | — | ▲ 901-9867-RFX | 1 |
| .141" S/R | Plug | Solder | Solder | .145(3.7) | C47 | D1 | — | ▲ 901-9868-RFX | 1 |
| LMR 240 | Plug | Crimp | Solder | .261(6.6) | C53 | D1 | Captive Contact | 901-10009-RFX | 2 |
| LMR 200 | Plug | Crimp | Solder | .206(5.2) | C53 | D1 | Captive Contact | 901-10010-RFX | 2 |

▲ distributor stocked