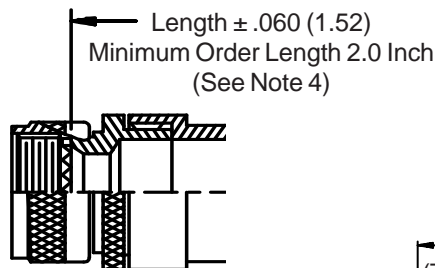
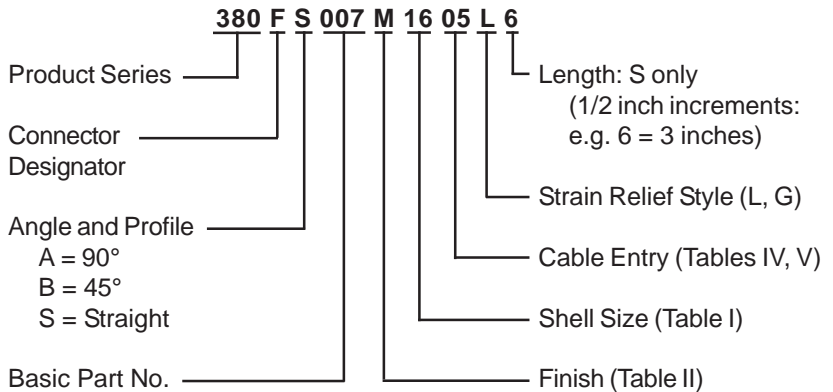


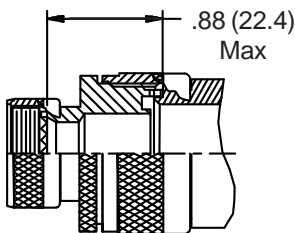
**CONNECTOR
 DESIGNATORS
 A-F-H-L-S**

**ROTATABLE
 COUPLING**

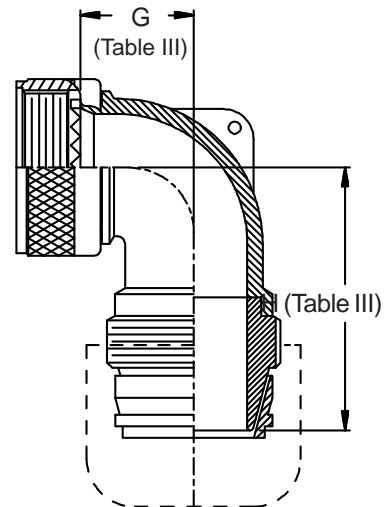
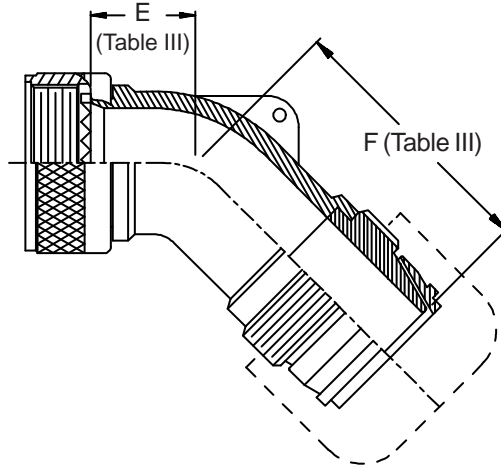
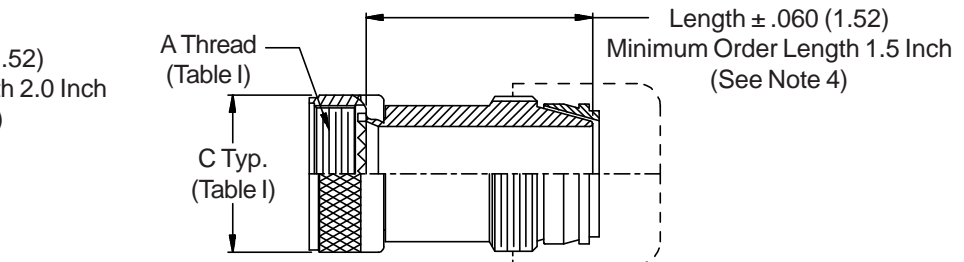
**TYPE C OVERALL
 SHIELD TERMINATION**



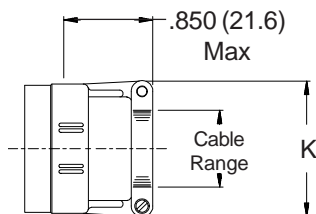
**STYLE 2
 (STRAIGHT
 See Note 1)**



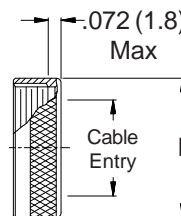
**STYLE 2
 (45° & 90°
 See Note 1)**



**STYLE L
 Light Duty
 (Table IV)**



**STYLE G
 Light Duty
 (Table V)**



380-007
EMI/RFI Non-Environmental Backshell
Light-Duty with Strain Relief
Type C - Rotatable Coupling - Low Profile



See inside back cover fold-out or pages 13 and 14 for unabridged Tables I and II.

TABLE III: ELBOW DIMENSIONS

Shell Size		E Max	F Max	G Max	H Max
Conn. Desig. A-F-L-S	H				
08	09	.457 (11.6)	1.680 (42.7)	.500 (12.7)	1.781 (45.2)
10	11	.520 (13.2)	1.740 (44.2)	.595 (15.1)	1.901 (48.3)
12	13	.582 (14.8)	1.800 (45.7)	.610 (15.5)	1.921 (48.8)
14	15	.645 (16.4)	1.890 (48.0)	.700 (17.8)	1.991 (50.6)
16	17	.738 (18.7)	2.000 (50.8)	.885 (22.5)	2.081 (52.9)
18	19	.926 (23.5)	2.190 (55.6)	.975 (24.8)	2.251 (57.2)
20	21	.926 (23.5)	2.190 (55.6)	.975 (24.8)	2.251 (57.2)
22	23	1.020 (25.9)	2.340 (59.4)	1.125 (28.6)	2.361 (60.0)
24	25	1.020 (25.9)	2.340 (59.4)	1.125 (28.6)	2.361 (60.0)
28		1.145 (29.1)	2.390 (60.7)	1.225 (31.1)	2.531 (64.3)
36		1.207 (30.7)	2.490 (63.2)	1.575 (40.0)	2.781 (70.6)
40		1.238 (31.4)	2.580 (65.5)	1.775 (45.1)	2.781 (70.6)

TABLE II: STANDARD FINISHES

GLENAIR	
SYMBOL	FINISH
B	Cadmium Plate, Olive Drab
M	Electroless Nickel
NF	Cadmium Plate, Olive Drab Over Electroless Nickel

See Inside Back Cover
for Additional Finish Options

TABLE IV: CABLE ENTRY

Dash No.	K Max	Cable Range	
		Min	Max
01	.781 (19.8)	.062 (1.6)	.125 (3.2)
02	.968 (24.6)	.125 (3.2)	.250 (6.4)
03	1.046 (26.6)	.250 (6.4)	.375 (9.5)
04	1.156 (29.4)	.250 (6.4)	.500 (12.7)
05	1.218 (30.9)	.375 (9.5)	.625 (15.9)
06	1.343 (34.1)	.500 (12.7)	.750 (19.1)
07	1.468 (37.3)	.625 (15.9)	.875 (22.2)
08	1.593 (40.5)	.625 (15.9)	1.000 (25.4)
09	1.718 (43.6)	.750 (19.1)	1.125 (28.6)
10	1.843 (46.8)	.875 (22.2)	1.250 (31.8)

TABLE V: CABLE ENTRY

Dash No.	L Max	Cable Entry Max
02	.718 (18.2)	.250 (6.4)
03	.843 (21.4)	.375 (9.5)
04	.968 (24.6)	.500 (12.7)
05	1.109 (28.2)	.625 (15.9)
06	1.218 (30.9)	.750 (19.1)
07	1.343 (34.1)	.875 (22.2)
08	1.468 (37.3)	1.000 (25.4)
09	1.593 (40.5)	1.125 (28.6)
10	1.718 (43.6)	1.250 (31.8)

1. When maximum cable entry (page 21) is exceeded, Style 2 will be supplied. Dimensions E, F, G and H will not apply. Please consult factory.
2. Metric dimensions (mm) are indicated in parentheses.
3. Cable range is defined as the accommodations range for the wire bundle or cable. Dimensions shown are not intended for inspection criteria.
4. Consult factory for shorter lengths on straight backshells.