

Surface Mount Aluminum Electrolytic Capacitors NAWU Series

FEATURES

- CYLINDRICAL V-CHIP CONSTRUCTION FOR SURFACE MOUNTING
- HIGH TEMPERATURE, EXTEND LIFE (5000 HOURS @ 105°C)
- 4X6.3mm ~ 18X22mm CASE SIZES
- DESIGNED FOR REFLOW SOLDERING
- MEETS THE REQUIREMENTS OF AEC-Q200*

*Contact NIC for supporting test data

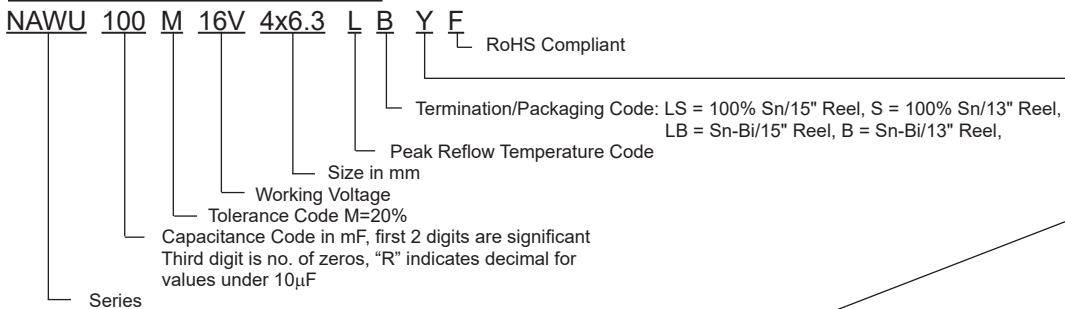
*Expanded
Capacitance/Voltage
Range*



CHARACTERISTICS

Rated Voltage Range	6.3 ~ 400Vdc											
Rate Capacitance Range	1.0 ~ 220µF											
Operating Temp. Range	-40°C ~ +105°C											
Capacitance Tolerance	±20% (M)											
Max. Leakage Current After 2 Minutes @ 20°C	0.01CV or 3µA whichever is greater									≤ 1000µF = 0.03CV + 15µA		
										> 1000µF = 0.02CV + 25µA		
Tan δ @120Hz/20°C	W.V. (Vdc)	6.3	10	16	25	35	50	100	160	200	400	
	S.V.(Vdc)	8	13	20	32	44	63	125	200	250	450	
	Tan δ	0.30	0.24	0.20	0.16	0.14	0.14	0.18	0.2	0.2	0.25	
Low Temperature Stability Impedance Ratio @ 120Hz	W.V. (Vdc)	6.3	10	16	25	35	50	100	160	200	400	
	Z-25°C/Z+20°C	4	3	2	2	2	2	2	3	3	6	
	Z-40°C/Z+20°C	10	7	5	3	3	3	3	6	6	10	
Load Life Test @ 105°C 5,000hrs	Capacitance Change	Within ± 30% of initial measured value										
	Tan δ	Less than 300% of specified max. value										
	Leakage Current	Less than specified max. value										

PART NUMBER SYSTEM



Optional: Suitable for automotive equipment, sourced to special production and inspection at IATF-16949 certified production site.

PEAK REFLOW TEMPERATURE CODES

Code	Peak Reflow Temperature
L	250°C
K	245°C
J	240°C
H	235°C
G	230°C

TERMINATION FINISH & PACKAGING OPTIONS CODES

Code	Finish & Reel Size
B	Sn-Bi Finish & 13" Reel
LB	Sn-Bi Finish & 15" Reel
S	100% Sn Finish & 13" Reel
LS	100% Sn Finish & 15" Reel

Note: 16mm & 18mm diameter parts are only available with Sn finish

PRECAUTIONS

Please review the notes on correct use, safety and precautions found at <https://www.nicomp.com/resource/files/aluminum/AlumApplInfoCautions.pdf>
If in doubt or uncertainty, please review your specific application - process details with NIC's technical support personnel: tpmg@nicomp.com



Surface Mount Aluminum Electrolytic Capacitors NAWU Series

STANDARD VALUES, PART NUMBERS AND MAXIMUM RIPPLE CURRENT

Part Number	W.V. (Vdc)	Cap. (μF)	Dissipation Factor (Tan δ)	Ripple Current Rating (mA @ 105°C/120Hz)	Load Life Hours @ +105°C
NAWU330M6.3V5X6.3L F	6.3	33	0.30	35	5,000
NAWU470M6.3V5X6.3L F		47	0.30	38	5,000
NAWU101M6.3V6.3X6.3L F		100	0.30	69	5,000
NAWU221M6.3V6.3X8L F		220	0.30	101	5,000
NAWU220M10V5X6.3L F	10	22	0.24	30	5,000
NAWU330M10V5X6.3L F		33	0.24	35	5,000
NAWU470M10V6.3X6.3L F		47	0.24	50	5,000
NAWU101M10V6.3X8L F		100	0.24	81	5,000
NAWU100M16V4X6.3L F	16	10	0.20	18	5,000
NAWU220M16V5X6.3L F		22	0.20	30	5,000
NAWU330M16V6.3X6.3L F		33	0.20	48	5,000
NAWU470M16V6.3X6.3L F		47	0.20	50	5,000
NAWU101M16V6.3X8L F		100	0.20	81	5,000
NAWU100M25V5X6.3L F	25	10	0.16	25	5,000
NAWU220M25V6.3X6.3L F		22	0.16	42	5,000
NAWU330M25V6.3X6.3L F		33	0.16	50	5,000
NAWU470M25V6.3X8L F		47	0.16	63	5,000
NAWU4R7M35V4X6.3L F	35	4.7	0.14	16	5,000
NAWU100M35V5X6.3L F		10	0.14	27	5,000
NAWU220M35V6.3X6.3L F		22	0.14	44	5,000
NAWU330M35V6.3X8L F		33	0.14	57	5,000
NAWU1R0M50V4X6.3L F	50	1.0	0.14	8.0	5,000
NAWU2R2M50V4X6.3L F		2.2	0.14	11	5,000
NAWU3R3M50V4X6.3L F		3.3	0.14	14	5,000
NAWU4R7M50V5X6.3L F		4.7	0.14	19	5,000
NAWU100M50V6.3X6.3L F		10	0.14	32	5,000
NAWU220M50V6.3X8L F		22	0.14	49	5,000
NAWU100M100V8X10.5J F	100	10	0.18	55	5,000
NAWU100M160V10X10.8J F	160	10	0.20	43	5,000
NAWU220M160V12.5X14HLBF		22	0.20	112	5,000
NAWU330M160V12.5X14HLBF		33	0.20	137	5,000
NAWU470M160V16X17GLSF		47	0.20	180	5,000
NAWU680M160V16X17GLSF		68	0.20	215	5,000
NAWU820M160V16X17GLSF		82	0.20	235	5,000
NAWU101M160V18X17.5GLSF		100	0.20	320	5,000
NAWU121M160V18X22GLSF		120	0.20	340	5,000
NAWU3R3M200V8X10.8J F	200	3.3	0.20	31	5,000
NAWU4R7M200V8X10.8J F		4.7	0.20	37	5,000
NAWU100M200V10X10.8J F		10	0.20	43	5,000
NAWU220M200V12.5X14HLBF		22	0.20	112	5,000
NAWU330M200V12.5X14HLBF		33	0.20	137	5,000
NAWU470M200V16X17GLSF		47	0.20	180	5,000
NAWU680M200V16X17GLSF		68	0.20	215	5,000
NAWU680M200V18X17.5GLSF		68	0.20	270	5,000
NAWU101M200V18X22GLSF		100	0.20	330	5,000
NAWU2R2M400V8X10.8J F	400	2.2	0.25	25	5,000
NAWU3R3M400V10X10.8J F		3.3	0.25	36	5,000
NAWU4R7M400V10X10.8J F		4.7	0.25	38	5,000
NAWU100M400V12.5X14HLBF		10	0.25	57	5,000
NAWU220M400V16X17GLSF		22	0.25	115	5,000
NAWU270M400V18X17.5GLSF		27	0.25	125	5,000
NAWU330M400V18X22GLSF		33	0.25	160	5,000

Part Number Suffix Where _ _ : Preferred (15" reel) = LB, Legacy (13" reel) = B or S (check with NIC for availability)

For Automotive Equipment see part number system

Surface Mount Aluminum Electrolytic Capacitors NAWU Series

RIPPLE CURRENT FREQUENCY CORRECTION FACTOR

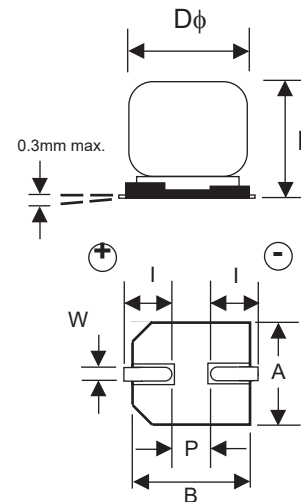
Frequency Hz	100 ≤ F < 1K	1K ≤ F < 10K	10K ≤ F < 100K	100K ≤ F	
C ≤ 4.7	1.00	1.30	1.50	1.80	
4.7 < C ≤ 33	1.00	1.20	1.30	1.45	
33 < C	1.00	1.10	1.20	1.30	
All 160V ~ 400V	50	120	300	1K	10K ≤ F
	0.75	1.00	1.20	1.30	1.50

STANDARD PRODUCTS AND CASE SIZE TABLE D x L (mm)

Cap (μF)	Code	Working Voltage (Vdc)									
		6.3	10	16	25	35	50	100	160	200	400
1.0	1R0	-	-	-	-	-	4X6.3	-	-	-	-
2.2	2R2	-	-	-	-	-	4X6.3	-	-	-	8X10.8
3.3	3R3	-	-	-	-	-	4X6.3	-	-	8X10.8	10X10.8
4.7	4R7	-	-	-	-	4X6.3	5X6.3	-	-	8X10.8	10X10.8
10	100	-	-	4X6.3	5X6.3	5X6.3	6.3X6.3	8X10.5	10X10.8	10X10.8	12.5X14
22	220	-	5X6.3	5X6.3	5X6.3	6.3X6.3	6.3X8	-	12.5X14	12.5X14	16X17
27	270	-	-	-	-	-	-	-	-	-	18X17.5
33	330	5X6.3	5X6.3	6.3X6.3	6.3X6.3	6.3X8	-	-	12.5X14	12.5X14	18X22
47	470	5X6.3	6.3X6.3	6.3X6.3	6.3X8	-	-	-	16X17	16X17	-
68	680	-	-	-	-	-	-	-	16X17	16X17	-
										18X17.5	-
82	820	-	-	-	-	-	-	-	16X17	-	-
100	101	6.3X6.3	6.3X8	6.3X8	-	-	-	-	18X17.5	18X22	-
120	121	-	-	-	-	-	-	-	18X22	-	-
220	221	6.3X8	-	-	-	-	-	-	-	-	-

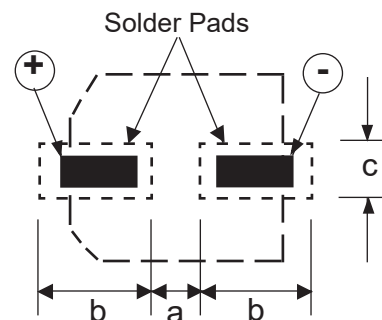
DIMENSIONS D x L (mm)

Case Size	φD	L max.*	A ± 0.2	B ± 0.2	I ± 0.2	W	P ± 0.2
4x6.3(6.1)	4.0	6.3	4.3	4.3	1.8	0.5 ~ 0.8	1.0
5x6.3	5.0	6.3	5.3	5.3	2.2	0.5 ~ 0.8	1.3
6.3x6.3	6.3	6.3	6.6	6.6	2.5	0.5 ~ 0.8	1.8
6.3X8	6.3	8.0	6.6	6.6	2.5	0.5 ~ 0.8	2.2
8x10.5	8.0	10.5	8.3	8.3	2.9	0.7 ~ 1.1	3.2
8x10.8	8.0	10.8	8.3	8.3	2.9	0.7 ~ 1.1	3.2
10x10.8	10.0	10.8	10.3	10.3	3.2	0.7 ~ 1.4	4.6
12.5x14	12.5	14	12.8	12.8	4.5	1.0 ~ 1.4	4.6
16x17	16	17	16.3	16.3	5.5	1.8 ~ 2.1	7.0
18X17.5	18	17.5	19.0	19.0	6.5	1.7 ~ 2.1	7.0
18X22	18	*21.5 ^{+0.5} / _{-1.0}	19.0	19.0	6.5	1.7 ~ 2.1	7.0



RECOMMENDED LAND PATTERN (mm)

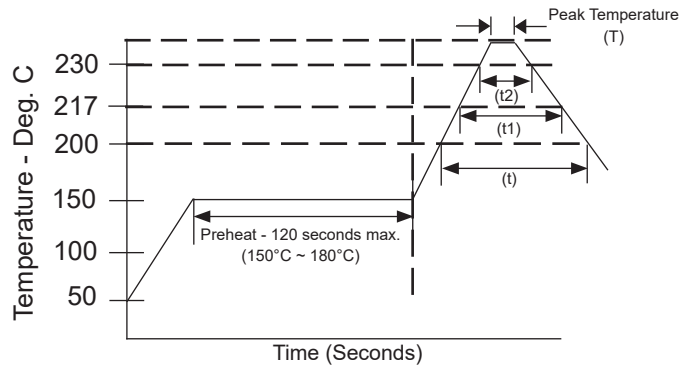
Case Dia.	a	b	c
4	1.0	2.6	1.6
5	1.4	3.0	1.6
6.3	2.1	3.5	1.6
8	2.8	4.1	2.1
10	4.3	4.4	2.5
12.5	4.3	5.8	2.5
16	6.6	6.5	5.0
18	6.6	7.7	5.0



PEAK REFLOW TEMPERATURE AND DURATION

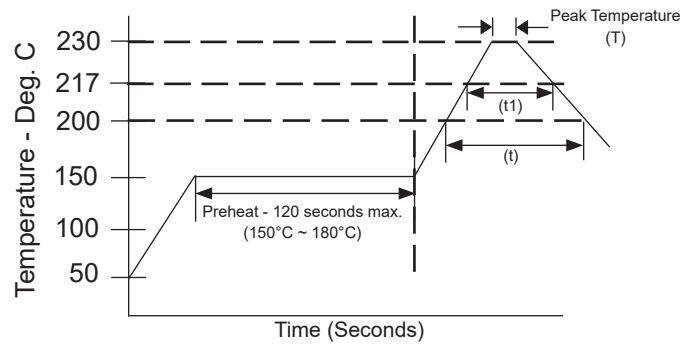
Voltage	Diameter	Time above 200°C (t)	Time above 217°C (t1)	Time above 230°C (t2)	Peak Temperature 5 seconds (T)
6.3 ~ 50V	4 ~ 6.3mm ϕ	70 sec. max.	60 sec. max.	40 sec. max.	250°C
100V	8mm ϕ	60 sec. max.	40 sec. max.	30 sec. max.	240°C
160 ~ 400V	8 ~ 10mm ϕ	50 sec. max.	30 sec. max.	20 sec. max.	240°C
	12.5mm ϕ	45 sec. max.	20 sec. max.	10 sec. max.	235°C

Capacitors can withstand two times reflow at the above conditions.
 Second reflow shall be at least one hour after natural cool to room temperature.



PEAK REFLOW TEMPERATURE AND DURATION

Voltage	Diameter	Time above 200°C (t)	Time above 217°C (t1)	Peak Temperature 5 seconds (T)
160 ~ 400V	16 ~ 18mm ϕ	30 sec. max.	15 sec. max.	230°C

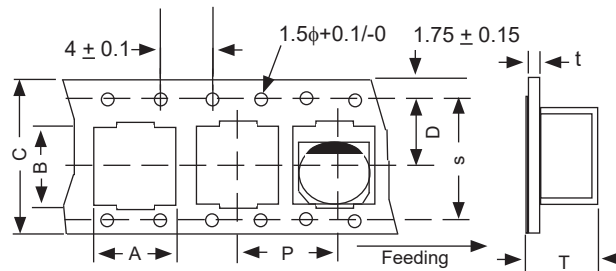


Review & Compare Reflow Soldering Heat Limits
 V-chip SMT Aluminum Electrolytic Capacitors
www.niccomp.com/RSL

Surface Mount Aluminum Electrolytic Capacitors NAWU Series

CARRIER TAPE DIMENSIONS (mm)

Case Size	A ±0.5	B ±0.2	C ±0.3	D ±0.1	P ±0.1	T ±0.2	t max.	S ± 0.1
4 x 6.3(6.1)	4.7	4.7	12.0	5.5	8.0	6.2	0.6	-
5 x 6.3	5.7	5.7	12.0	5.5	12.0	6.2	0.6	-
6.3 x 6.3	7.0	7.0	16.0	7.5	12.0	6.2	0.6	-
6.3 x 8	7.0	7.0	16.0	7.5	12.0	8.2	0.6	-
8 x 10.8	8.7	8.7	24.0	11.5	16.0	11.1	0.6	-
10 x 10.8	10.7	10.7	24.0	11.5	16.0	11.2	0.6	-
12.5 x 14	13.2	13.2	32.0	14.2	24.0	14.3	0.6	28.4
16 x 17	17.5	17.5	44.0	20.2	28.0	17.3	0.6	40.4
18X17.5	19.5	17.5	44.0	20.2	32.0	17.8	0.6	40.4
18X22	19.5	17.5	44.0	20.2	32.0	22.5	0.6	40.4



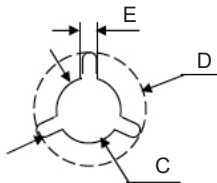
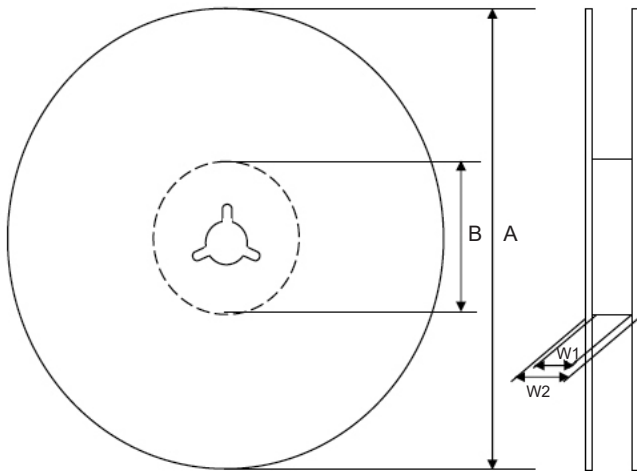
Preferred V-Chip 15" (380mm) Reels (LB suffix)

Dimensions (mm)

Case Size	Tape Width	W1	W2
4x6.3, 5x6.3	12.0	12.5 ~ 14.0	15.5 ~ 20.0
6.3x6.3, 6.3x8	16.0	16.5 ~ 18.0	19.5 ~ 24.0
8x10.8, 10x10.8	24.0	24.5 ~ 26.0	27.5 ~ 32.0
12.5x14	32.0	33.0 ~ 34.0	36.5 ~ 38.5
16x17, 18x17.5, 18x22	44.0	45.0 ~ 46.0	48.5 ~ 50.5

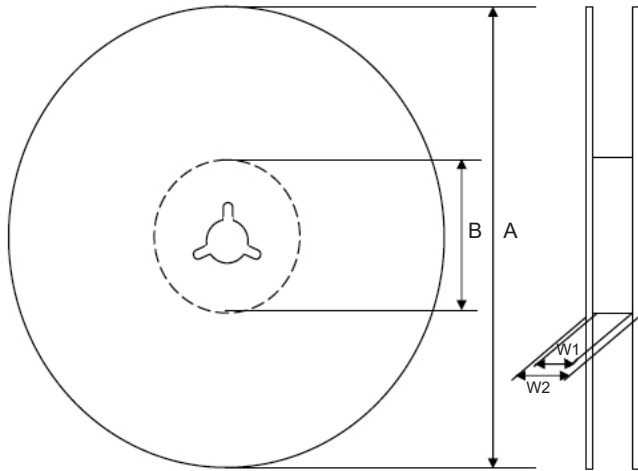
Case Size	Tape Width	A	B	C	D	E
4x6.3, 5x6.3	12.0	$\phi 380 \pm 2$	$\phi 80 \sim 105$	$\phi 13 \pm 0.5$	$\phi 21 \pm 1.0$	2.0 ± 0.5
6.3x6.3, 6.3x8	16.0					
8x10.8, 10x10.8	24.0					
12.5x14	32.0					
16x17, 18x17.5, 18x22	44.0					

Color
Black or Blue



Surface Mount Aluminum Electrolytic Capacitors NAWU Series

Optional V-Chip 13" (330mm) Reels (B suffix)

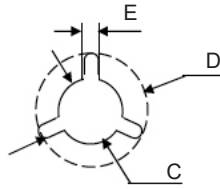


Dimensions (mm)

Case Size	Tape Width	W1	W2
4x6.3, 5x6.3	12.0	12.4 ~ 14.4	15.5 ~ 20.0
6.3x6.3, 6.3x8	16.0	16.4 ~ 18.4	19.5 ~ 24.0
8x10.8, 10x10.8	24.0	24.4 ~ 26.4	27.5 ~ 32.0

Case Size	Tape Width	A	B	C	D	E
4x6.3, 5x6.3	12.0	φ330 ±2.0	φ50~105	φ13 ±0.5	φ21 ±1.0	2.0 ±0.5
6.3x6.3, 6.3x8	16.0					
8x10.8, 10x10.8	24.0					

Color
Black or Blue



Case Size	Quantity per reel	
	13" (330mm)	15" (380mm)
4x6.3(6.1)	1200	2000
5x6.3	800	1000
6.3x6.3	800	1000
6.3x8	500	900
8x10.8	300	500
10x10.8	300	500
12.5x14	-	250
16x17	-	200
18x17.5	-	175
18x22	-	125