

MATERIAL (RoHS COMPLIANT):

CAGE:  
COPPER ALLOY

PLATING:(SEE PART NUMBER FOR OPTION)

OPTION1:100µ" [2.54 µm] MIN. BRIGHT TIN PLATING OVER 50 µ" (1.27 µm) MIN. NICKEL UNDER PLATING. (BRIGHT TIN SOLDER TEMPERATURE 230°C MAX.)

OPTION3: 100µ" [2.54 µm] MIN. MATTE TIN PLATING OVER 50 µ" (1.27 µm) MIN. NICKEL UNDER PLATING.(MATTE TIN SOLDER TEMPERATURE 245°C MAX. IN 10 SECONDS OF PEAK TIME, )

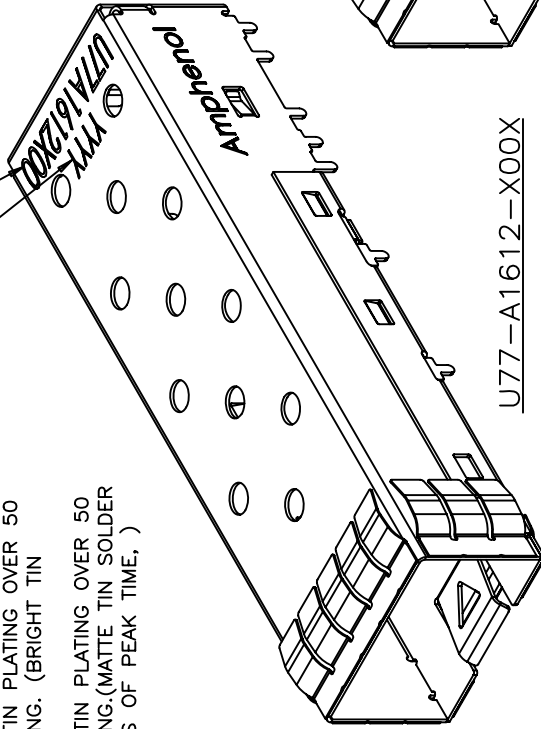
PACKAGING:

TAPE AND REEL OR TRAY PACKAGING.

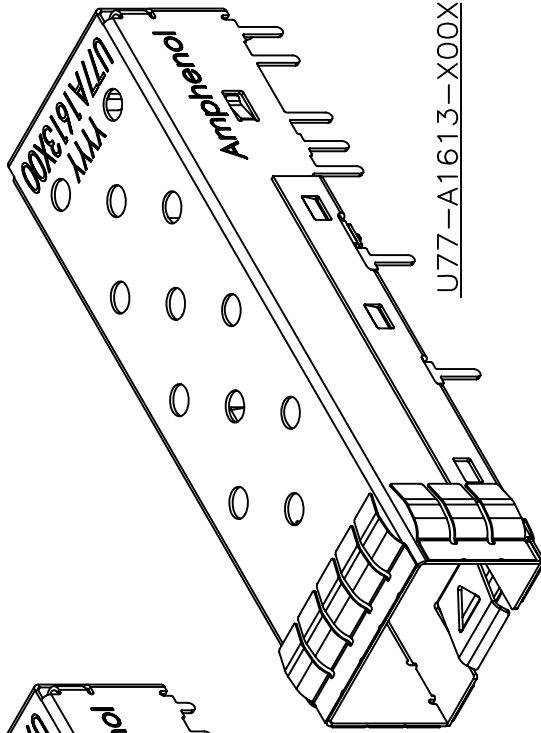
TEMPERATURE RANGE:  
-40°C TO +85°C

PART NUMBER  
(P/N DOES NOT INCLUDE  
PACKAGING OPTION)

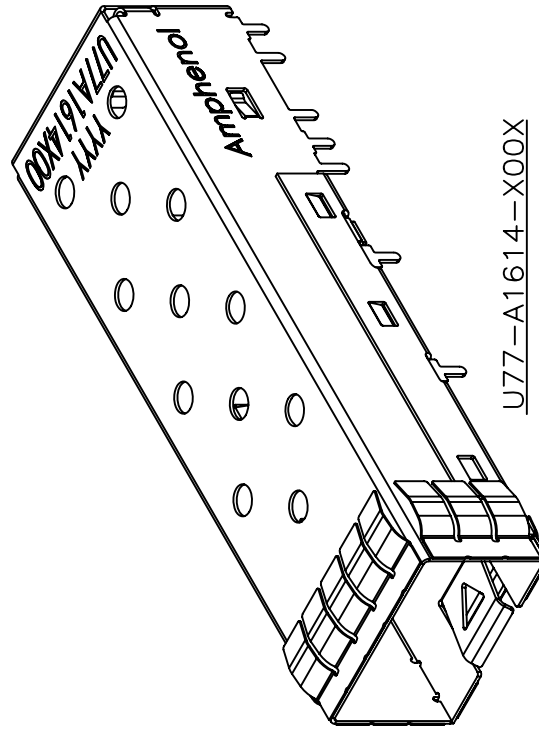
DATE CODE



U77-A1612-X00X



U77-A1613-X00X



U77-A1614-X00X

AMPHENOL PART NUMBER CONFIGURATION

U77 - A 1 6 1 X - X 0 0 X

SOLDER TAIL HEIGHT

- 2 = 1.2 mm (20 SOLDER PINS)
- 3 = 3.2 mm (20 SOLDER PINS)
- 4 = 1.8 mm (20 SOLDER PINS)

PLATING

- 1 = BRIGHT TIN PLATING
- 3 = MATTE TIN PLATING

PACKAGING

- 1 = TRAY PACKAGING  
(SEE PAGE 5 FOR DETAILS)
- T = TAPE & REEL PACKAGING  
(STANDARD CAGE ORIENTATION)  
(SEE PAGE 6 FOR DETAILS)
- R = TAPE & REEL PACKAGING  
(REVERSED CAGE ORIENTATION)  
(SEE PAGE 7 FOR DETAILS)



REVISIONS

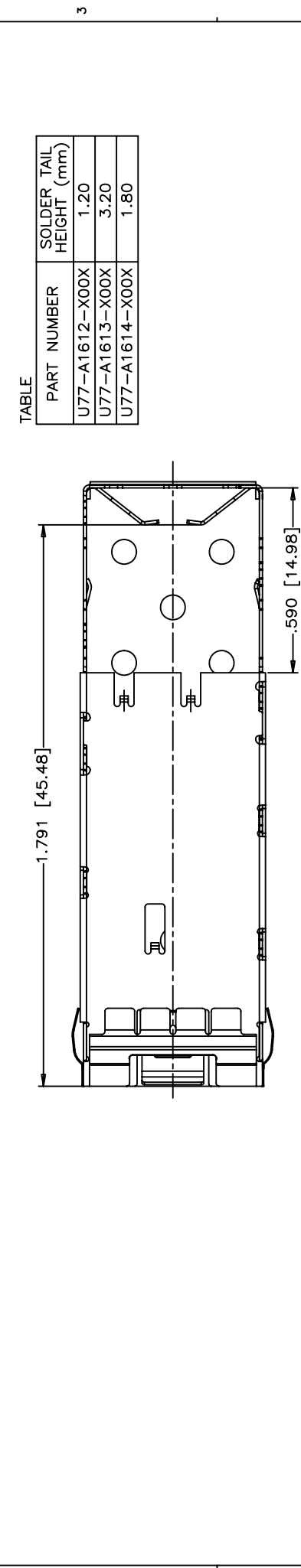
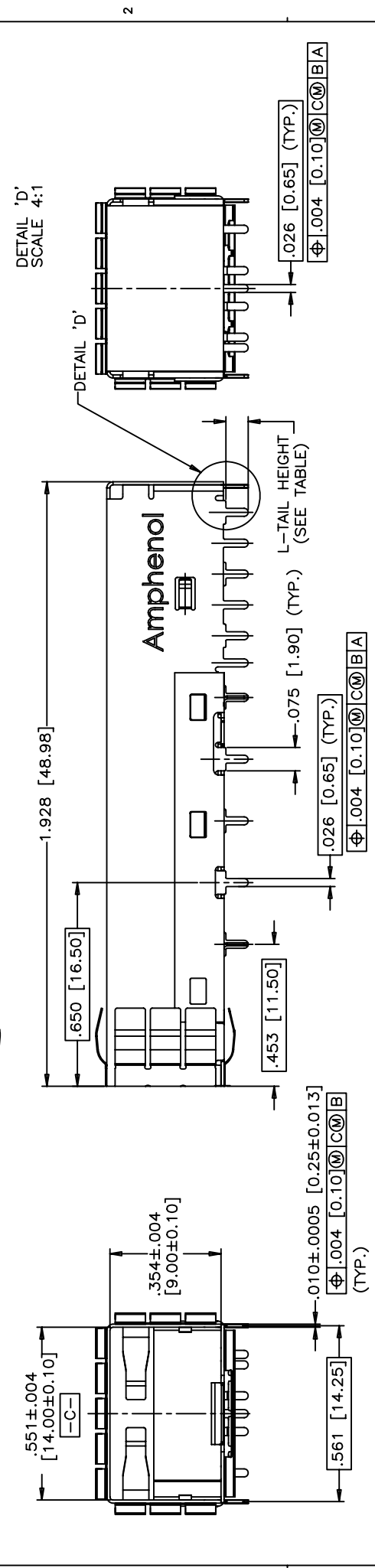
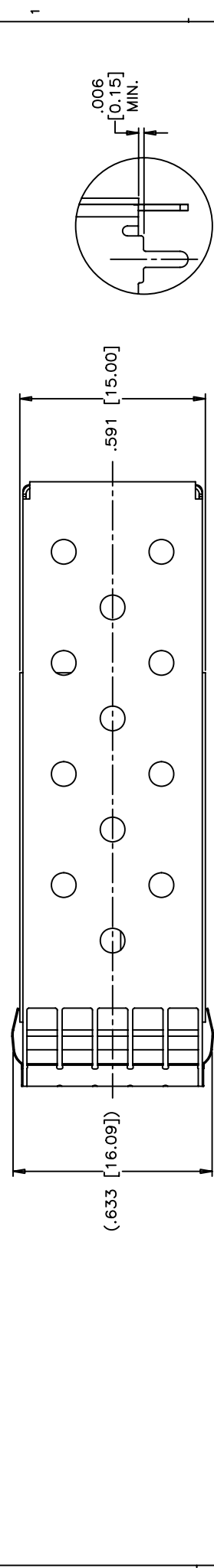
SYM	ZONE	ECN, ERN NO.	DATE	APPRD.
A		PROPOSAL	APR04/08	

DRAWN	DATE	J.SI	J.SI	DESIGNED	APPROV
CHECKED X	X				
DWG. APPRD.					
ENG. REL. NO.					
REF.					
DIMENSIONS ARE IN CODE ID. NO. /INCHES /mm / 03554					

REV.	DRAWING NO.	TITLE
A	P-U77-A161X-X00X	IPF SINGLE CAGE WITH SOLDER PINS

THIS DOCUMENT CONTAINS PROPRIETARY INFORMATION AND SUCH INFORMATION MAY NOT BE DISCLOSED TO OTHERS FOR ANY PURPOSE OR USED FOR MANUFACTURING PURPOSES WITHOUT WRITTEN PERMISSION FROM AMPHENOL CANADA CORP.

REVISIONS		ECN. ERN NO.	DATE	APPRD.
SYM	ZONE			
A		PROPOSAL	APR03/08	



TABLE

PART NUMBER	SOLDER TAIL HEIGHT (mm)
U77-A1612-X00X	1.20
U77-A1613-X00X	3.20
U77-A1614-X00X	1.80

**Amphenol Canada Corp.**

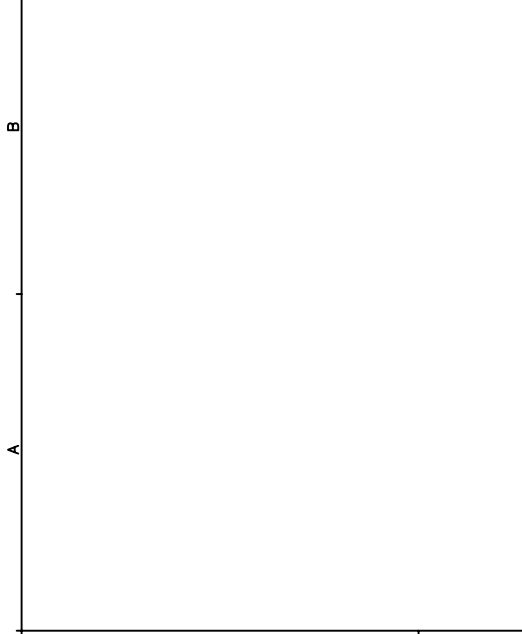
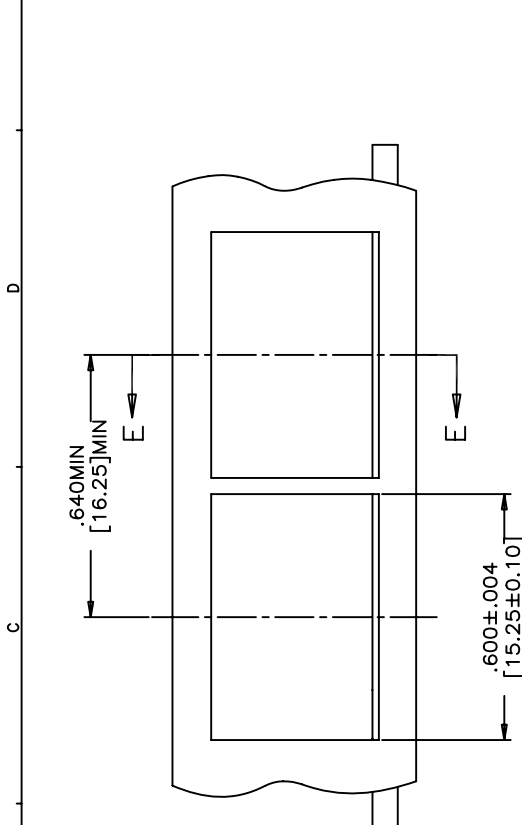
IPF SINGLE CAGE WITH SOLDER PINS

THIS DOCUMENT CONTAINS PROPRIETARY INFORMATION AND SUCH INFORMATION MAY NOT BE DISCLOSED TO OTHERS FOR ANY PURPOSE OR USED FOR MANUFACTURING PURPOSES WITHOUT WRITTEN PERMISSION FROM AMPHENOL CANADA CORP.

DATE	APPROV/08
J.SI	J.SI
DESIGNED	DESIGNED
CHECKED X	X
DWG. APPRD.	
ENG. REL. NO.	
REF.	X
DIMENSIONS ARE IN CODE ID. NO. /INCHES [mm] 03554	

SCALE 2:1 WT. SURF. SHEET 2 OF 7

REVISIONS			
SYM	ZONE	ECN, ERN NO.	DATE
A		PROPOSAL	APPROX/08

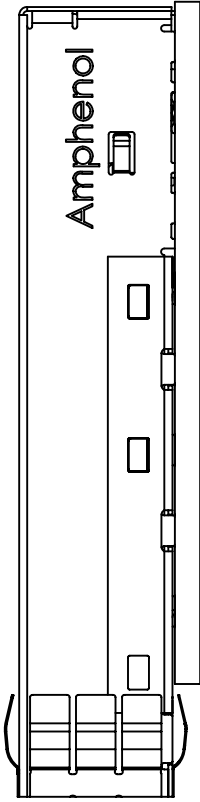


SECTION E-E  
RECOMMENDED BEZEL DESIGN  
(ONE SIDE CAGE MOUNTING)

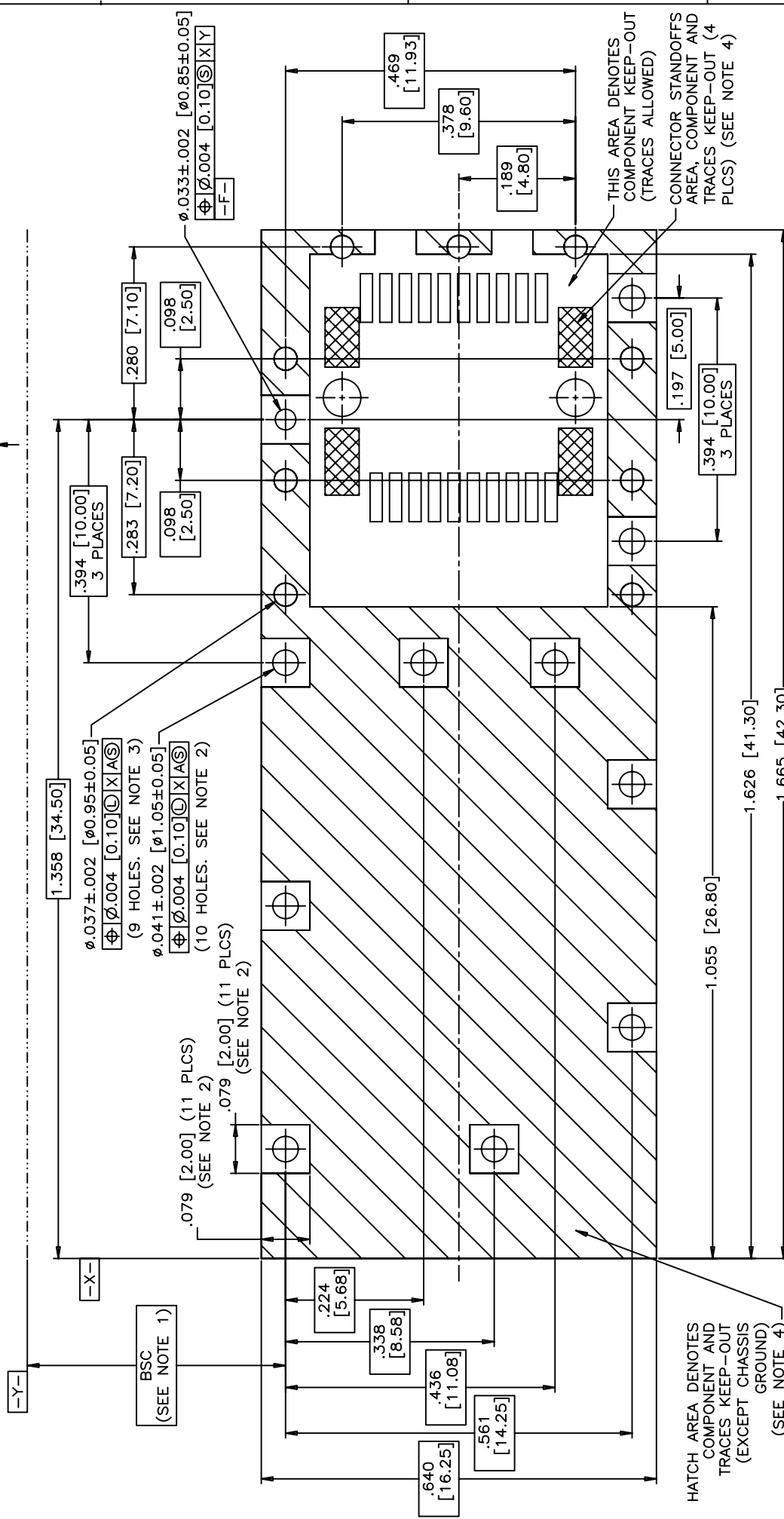
DATE	DESIGNED	CHECKED	DWG. APPRD.	ENG. REL. NO.	REF.	DIMENSIONS ARE IN	INCHES	MM	SCALE	WT.	SURF.	SHEET	OF
J.S/	J.S/	X			X				2:1			3	7
APPROX/08	APPROX/08												
<p>Amphenol Canada Corp.</p> <p>TITLE: IPF SINGLE CAGE WITH SOLDER PINS</p> <p>DWG. NO. A</p> <p>DRAWING NO. P-U77-A161X-X00X</p> <p>REV. A</p>													

THIS DOCUMENT CONTAINS PROPRIETARY INFORMATION AND SUCH INFORMATION MAY NOT BE DISCLOSED TO OTHERS FOR ANY PURPOSE OR USED FOR MANUFACTURING PURPOSES WITHOUT WRITTEN PERMISSION FROM AMPHENOL CANADA CORP.

- NOTES:  
 1. DATUM AND BASIC DIMENSIONS ESTABLISHED BY CUSTOMER  
 2. PADS AND VIAS ARE CHASSIS GROUND, 11 PLACES.  
 3. THRU HOLES, PLATING OPTIONAL.  
 4. SEE DRAWINGS P-UX75-A20-X000X FOR CONNECTOR PCB LAYOUT.



.062 [1.57]  
 .057 [1.45] MIN. PCB



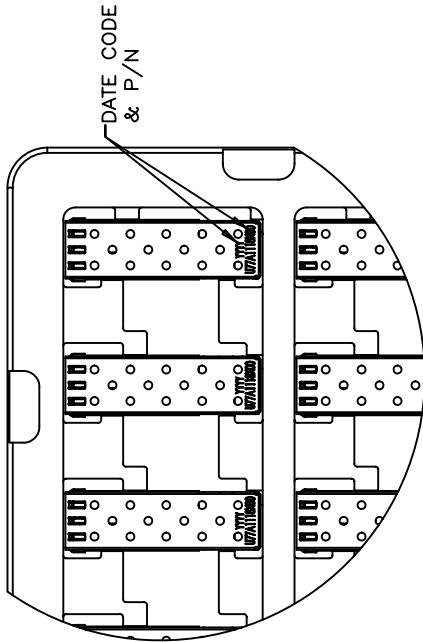
DRAWN		DATE		REV.	
DESIGNED	J.SI	J.SI	APPROV/08	A	A
CHECKED	X				
DWG. APPROV.		TITLE		REV.	
ENG. REL. NO.		RECOMMENDED SFP HOST BOARD LAYOUT		A	
REF.		(ONE SIDE CAGE MOUNTING)		P-U77-A161X-X00X	
DIMENSIONS ARE IN CODE ID. NO.		(SCALE 4:1)		DRAWING NO.	
/INCHES /mm/				A	
				SCALE	
				2:1	
				WT.	
				SURF.	
				SHEET	
				4 OF 7	

Amphenol Canada Corp.  
 IPF SINGLE CAGE WITH SOLDER PINS

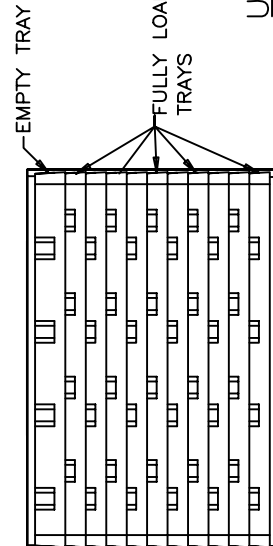
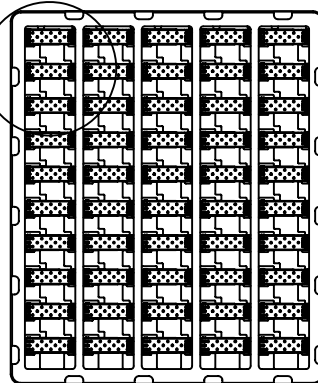
THIS DOCUMENT CONTAINS PROPRIETARY INFORMATION AND SUCH INFORMATION MAY NOT BE DISCLOSED TO OTHERS FOR ANY PURPOSE OR USED FOR MANUFACTURING PURPOSES WITHOUT WRITTEN PERMISSION FROM AMPHENOL CANADA CORP.

**NOTES:**

1. A FULLY LOADED TRAY TO CONTAIN 50 CAGES.
2. PLACE TRAYS INTO THE CARTON AS SHOWN. FULLY LOADED CARTON SHALL CONTAIN 10 TRAYS (500 SFP CAGES) PLUS ONE EMPTY TRAY ON THE TOP AS A COVER. FILL EMPTY SPACE IN THE CARTON WITH PAPER FOR ANY PARTIAL SHIPMENT.

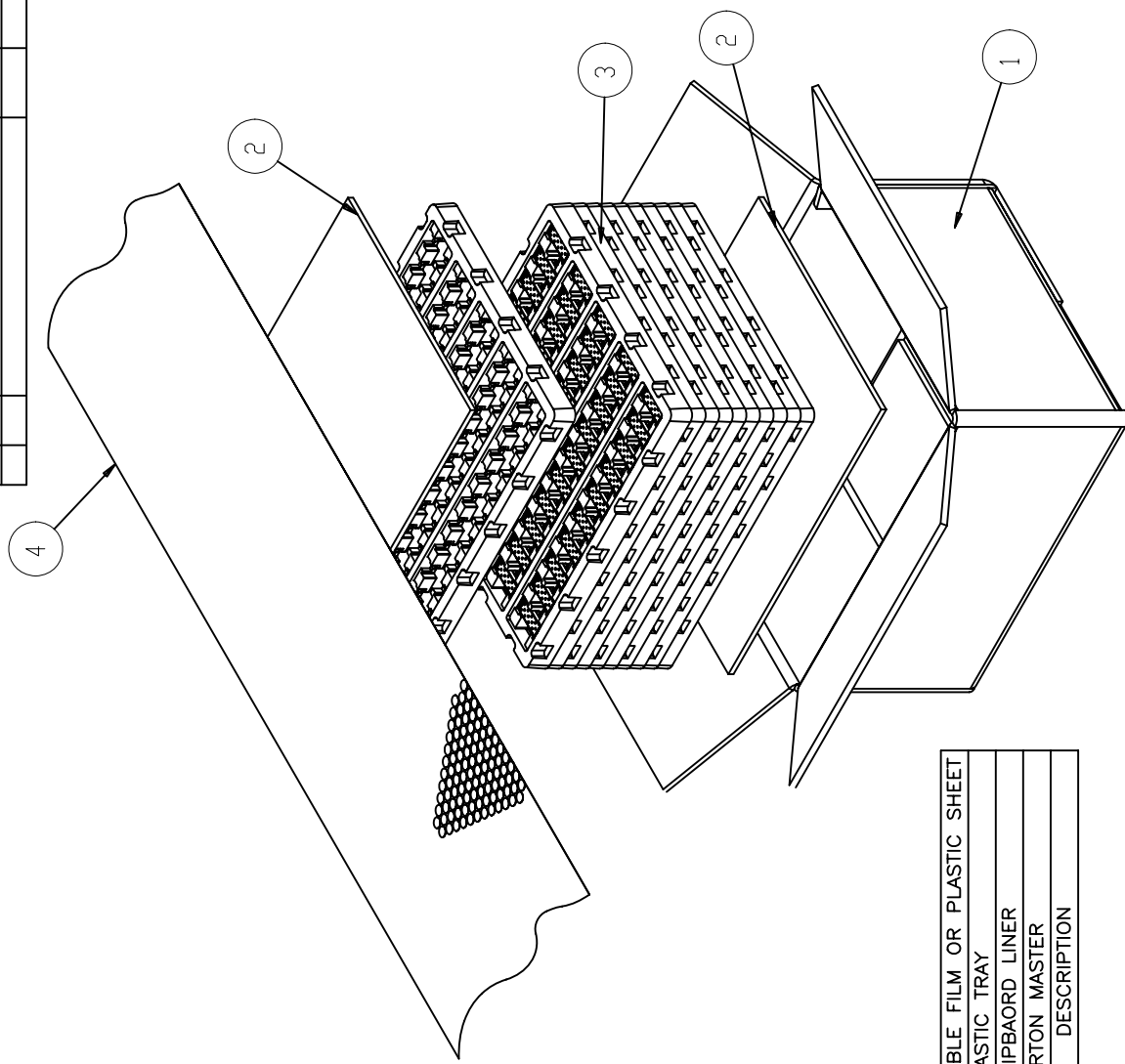


DETAIL F  
SCALE 1:2



ITEM No.	DESCRIPTION
4	BUBLE FILM OR PLASTIC SHEET
3	PLASTIC TRAY
2	CHIPBOARD LINER
1	CARTON MASTER

U77-A161X-X001 SHOWN  
(CAGE SHOWN FOR REF. ONLY)



REVISIONS			
SYM	ZONE	ECN, ERN NO.	DATE
A		PROPOSAL	APR04/08

DRAWN	DESIGNED	CHECKED	DWG. APPRD.	ENG. REL. NO.	REF.	DATE	J.SI	J.SI	X	X								
DIMENSIONS ARE IN CODE ID. NO.												DWG	DRAWING NO.	REV.				
/INCHES /mm												A	P-U77-A161X-X00X	A				
												SCALE	1:8	WT.		SHEET	5 OF 7	

**Amphenol Canada Corp.**  
SFP/IPF SINGLE CAGE  
(TRAY PACKAGING REFERENCE)

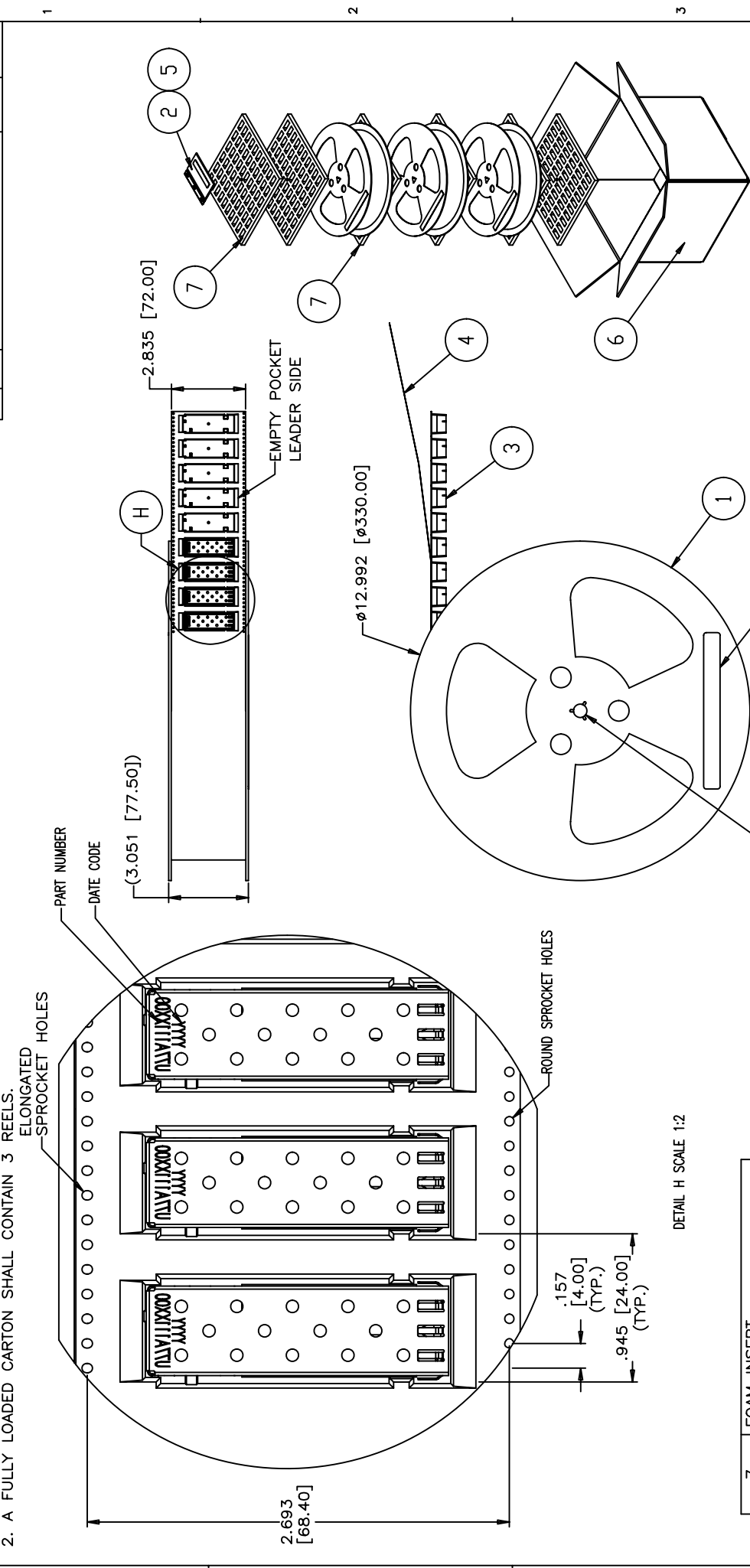
THIS DOCUMENT CONTAINS PROPRIETARY INFORMATION AND SUCH INFORMATION MAY NOT BE DISCLOSED TO OTHERS FOR ANY PURPOSE OR USED FOR MANUFACTURING PURPOSES WITHOUT WRITTEN PERMISSION FROM AMPHENOL CANADA CORP.



REVISIONS			
SYM	ZONE	ECN, ERN NO.	DATE
A		PROPOSAL	APR04/08

NOTES:  
 1. A FULLY LOADED REEL TO CONTAIN 150 CAGES FOR U77-A1612-X00X AND U77-A1614-X00X.  
 A FULLY LOADED REEL TO CONTAIN 130 CAGES FOR U77-A1613-X00X.  
 2. A FULLY LOADED CARTON SHALL CONTAIN 3 REELS.

Downloaded from [Arrow.com](http://Arrow.com)



ITEM No.	DESCRIPTION
7	FOAM INSERT
6	CARTON MASTER
5	PLASTIC BAG FOR DUST COVER
4	COVER TAPE
3	CARRIER TAPE
2	LABEL
1	PLASTIC REEL (SET)

U77-A161X-X00R SHOWN  
 (CAGE SHOWN FOR REF. ONLY)

DRAWN	J.SI	DATE	APR04/08
DESIGNED	J.SI	APPROVED	
CHECKED	X		
DWG. APPRD.			
ENG. REL. NO.			
REF.	X		
DIMENSIONS ARE IN CODE ID. NO.			
/INCHES /mm / 03554			
SCALE 1:8			
SURF. -----			
SHEET 7 OF 7			

Amphenol Canada Corp.

TITLE

SFP/IPF SINGLE CAGE  
 (T&R PACKAGING REVERSED CAGE ORIENTATION)

DWG. DRAWING NO. P-U77-A161X-X00X

REV. A