

# Breather Units

## Specification

### Operating Temperature

-20° C to 90° C

### Materials of Construction

Epoxy coated steel to resist corrosion.

Large breather - impact resistant paint finish.

### Fluid Compatibility

Suitable for use with mineral oils and water-oil emulsions.

### Weights

|           |            |         |
|-----------|------------|---------|
| Small:    | 0.12 kg    |         |
| Standard: | 0.34 kg    |         |
| Large:    | H00834-004 | 1.10 kg |
|           | H00834-005 | 1.65 kg |

Optional relief valve to safeguard against excessive tank pressure to within 0.35 bar or maintain tank vacuum to within 0.03 bar.

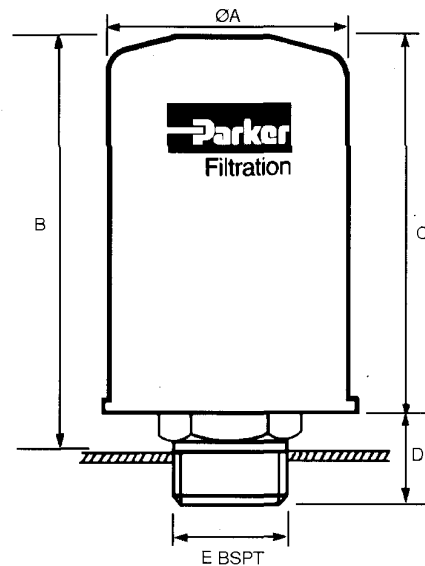
### Large Breather Dimensions

| Part No.   | Air Flow Rate | Dimensions |     |     |    |       |
|------------|---------------|------------|-----|-----|----|-------|
|            |               | A          | B   | C   | D  | E     |
| H00834-004 | 1700 l/min    | 97         | 147 | 135 | 30 | 3/4   |
| H00834-005 | 3000 l/min    | 134        | 198 | 180 | 36 | 1 1/4 |

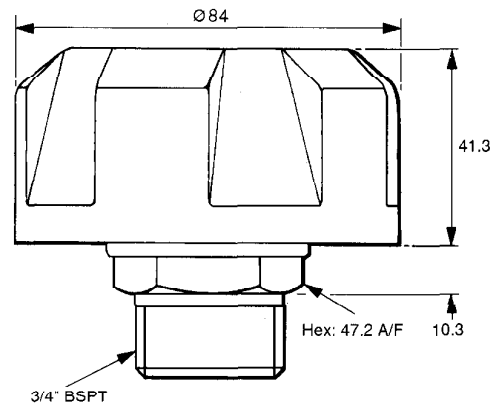
## Ordering Information

| Description                                | Part Number     |
|--|-----------------|
| Small breather 1/4" BSPT thread            | H00279-001      |
| Small breather 3/8" BSPT thread            | H00279-002      |
| Small breather 1/2" BSPT thread            | H00279-003      |
| Std.breather 10 micron element             | H00602-001      |
| Std.breather 40 micron element             | H00602-003      |
| Pressure relief breather 10 micron element | H00602-002      |
| Pressure relief breather 40 micron element | H00602-004      |
| Large breather 3 micron element            | See above table |

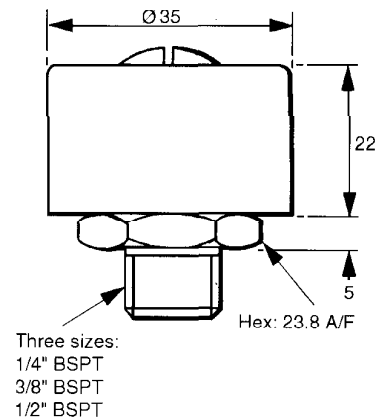
## Installation Details



Large Breather



Standard Breather



Small Breather