

# Customer Information Sheet

DRAWING No.: G125-FS1XX05F2P

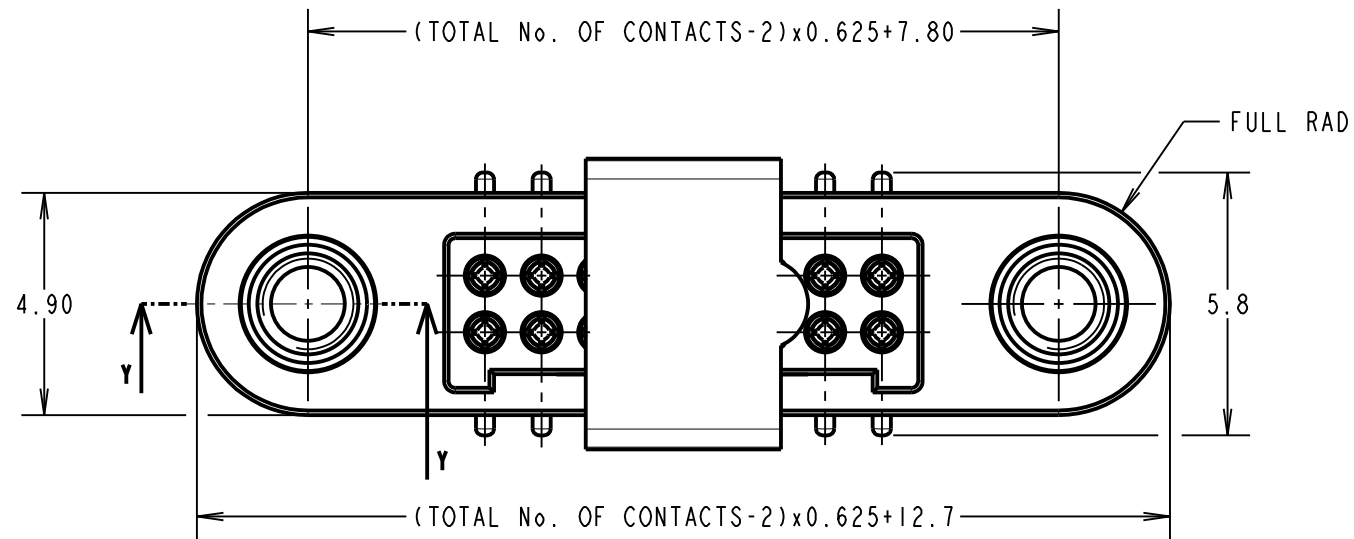
IF IN DOUBT - ASK

©

NOT TO SCALE

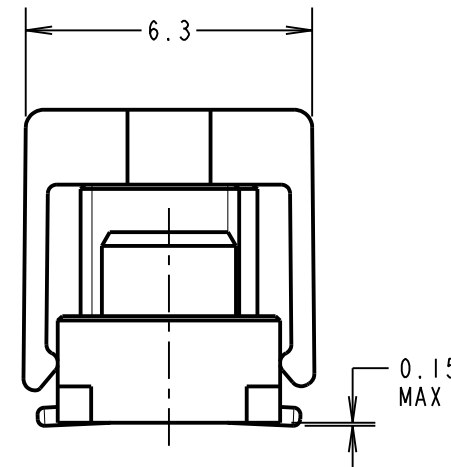
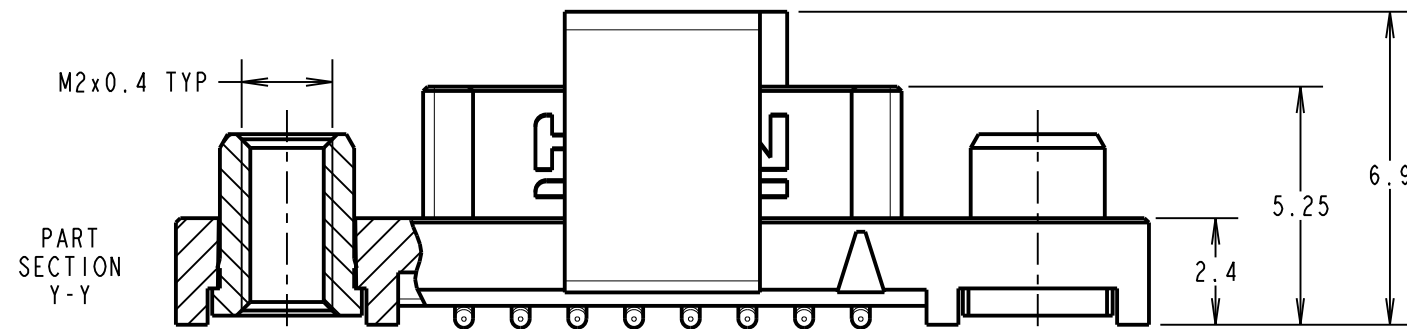
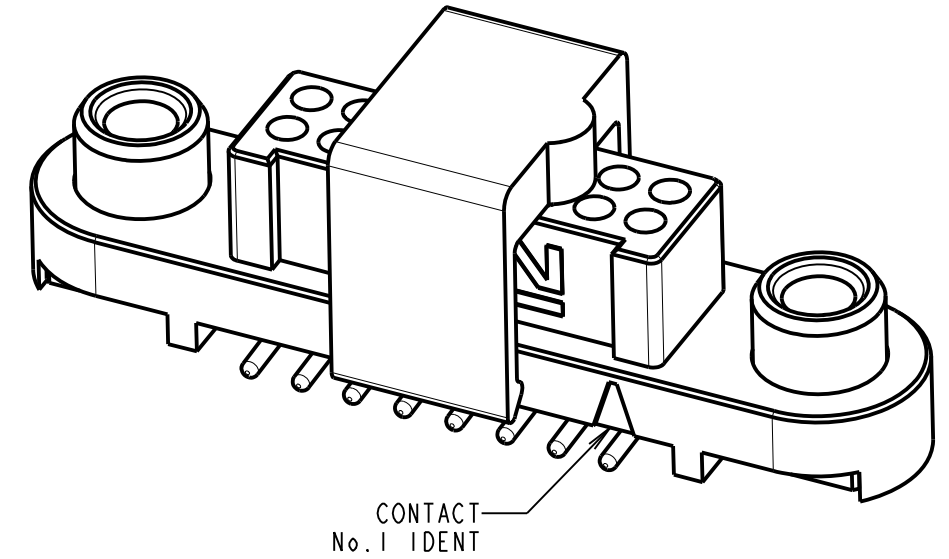
THIRD ANGLE PROJECTION

ALL DIMENSIONS IN mm

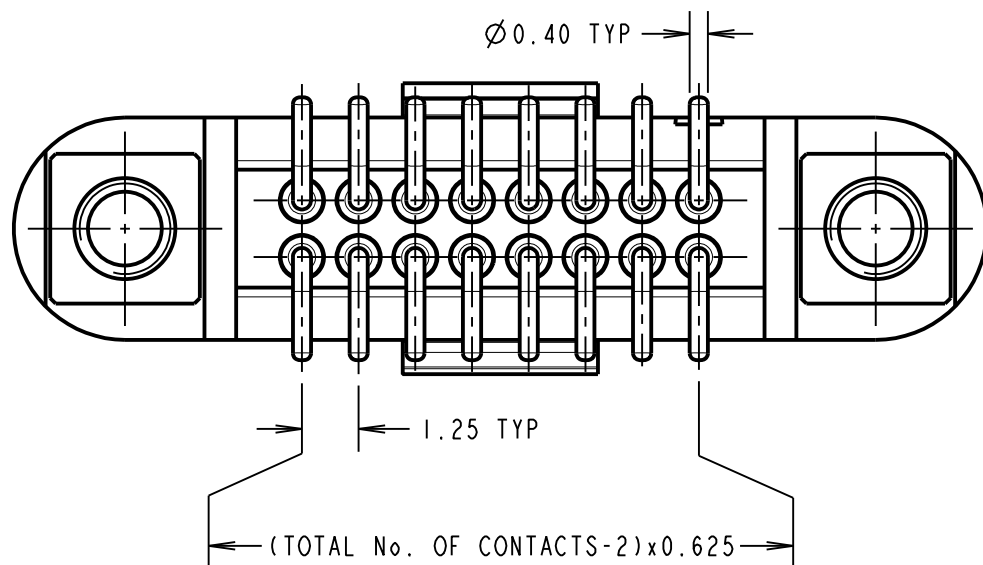
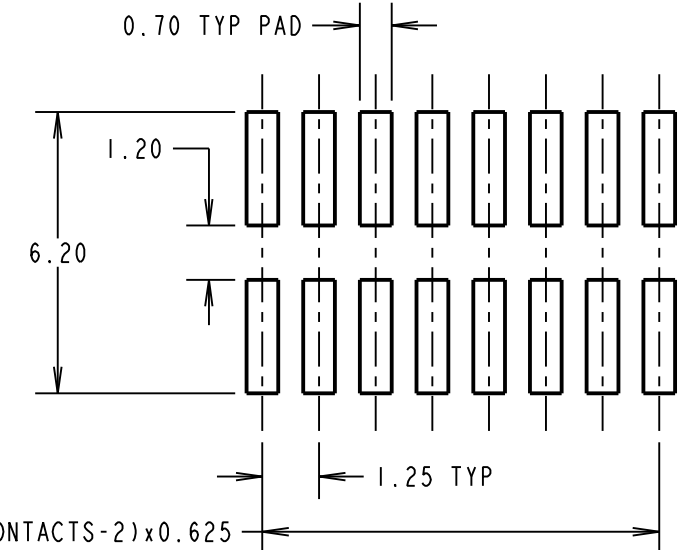


ORDER CODE:  
G125-FS1XX05F2P

TOTAL No. OF CONTACTS:  
06, 10, 12, 16, 20, 26, 34 & 50.



RECOMMENDED PCB LAYOUT  
(ALL TOLERANCES ±0.05mm)



CONNECTOR AND PCB LAYOUT DETAILS ONLY.  
SEE SHEET 4 FOR TAPE STRIP DETAILS.

NOTES:

- FOR MATERIALS, FINISH AND SPECIFICATIONS SEE GECKO SERIES SPECIFICATION SUMMARY SHEET OR COMPONENT SPECIFICATION C125XX (LATEST ISSUE) FOR FULL SPECIFICATION.
- CO-PLANARITY OF SMT TAILS = 0.10mm MAX.
- DRAWING SHOWS CONNECTOR WITH 16 CONTACTS.

RTP	2	15.09.21	30824
NAME	ISS.	DATE	CN/CO
APPROVED: R.PORTLOCK			
CHECKED: R.ALEXANDER			
DRAWN: MARK G PLESTED			
CUSTOMER REF.:			
ASSEMBLY DRG:			



**HARWIN**

www.harwin.com  
technical@harwin.com

THIS DRAWING AND ANY INFORMATION OR DESCRIPTIVE MATTER SET OUT HEREON ARE CONFIDENTIAL AND COPYRIGHT PROPERTY OF THE HARWIN GROUP AND MUST NOT BE DISCLOSED, LOANED, COPIED OR USED FOR MANUFACTURING, TENDERING OR FOR ANY OTHER PURPOSE WITHOUT THEIR WRITTEN PERMISSION.

TOLERANCES

X. = ±1mm  
X.X = ±0.50mm  
X.XX = ±0.20mm  
X.XXX = ±0.01mm

ANGLES = ±5°  
UNLESS STATED

MATERIAL:

SEE ABOVE

FINISH:

SEE ABOVE

S/AREA:

mm<sup>2</sup>

TITLE:

GECKO-SL REVERSE FIX FEMALE VERT. SMT CONNECTOR IN TAPE

DRAWING NUMBER:

G125-FS1XX05F2P

SHT 3 OF 4

# Customer Information Sheet

DRAWING No.: G125-FS1XX05F2P

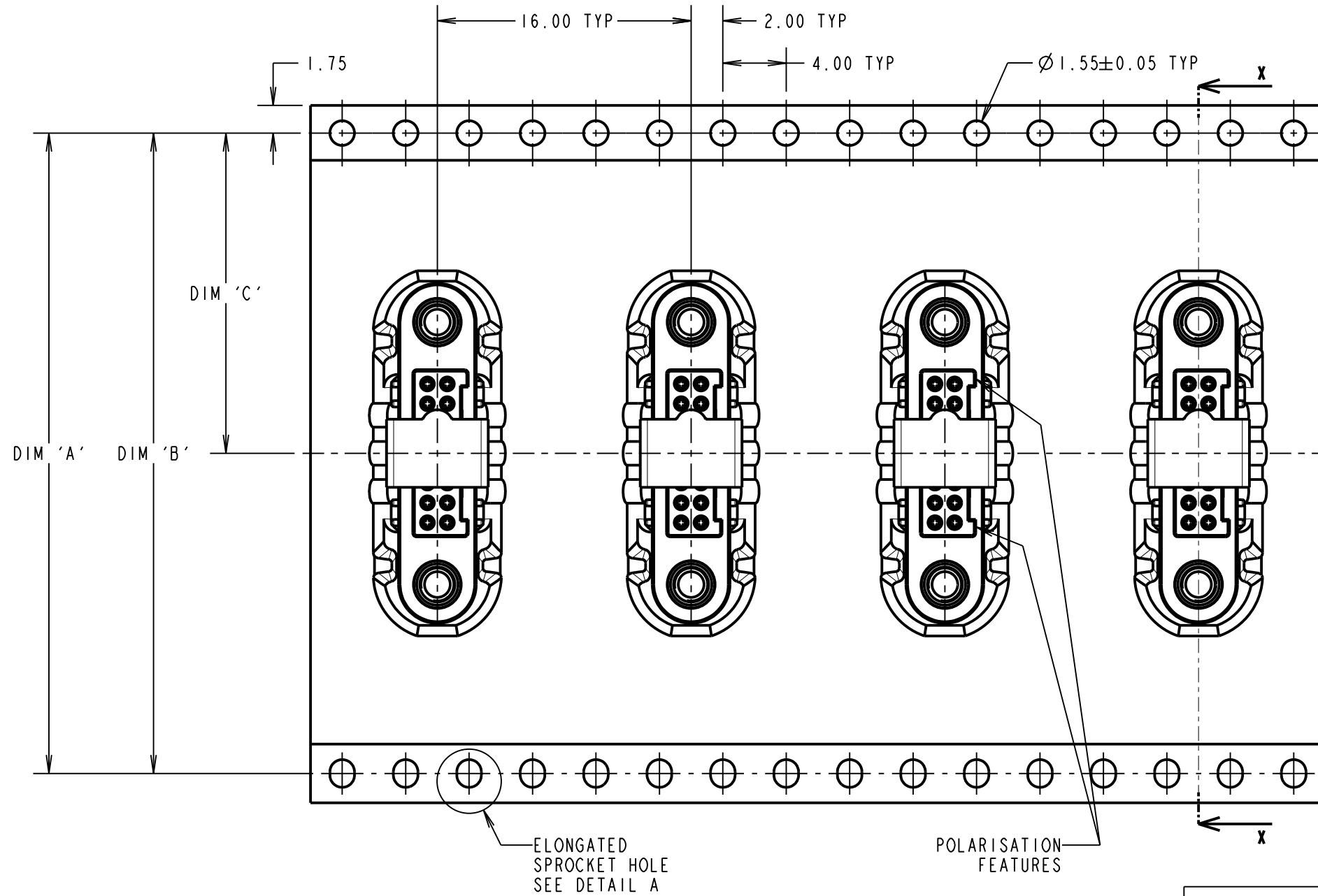
IF IN DOUBT - ASK

©

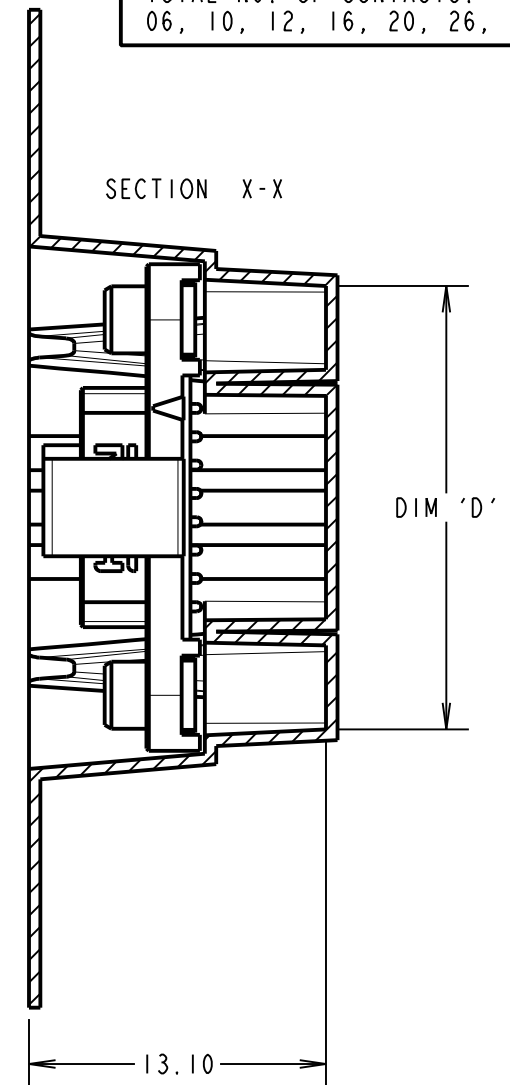
NOT TO SCALE

THIRD ANGLE PROJECTION

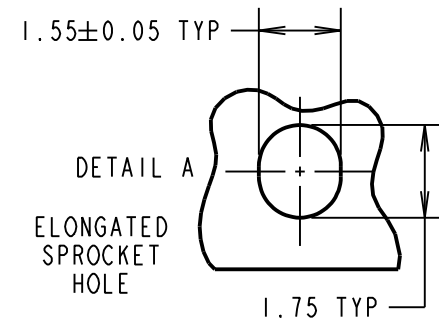
ALL DIMENSIONS IN mm



ORDER CODE: **G125-FS1XX05F2P**  
 TOTAL No. OF CONTACTS: 06, 10, 12, 16, 20, 26, 34 & 50.



**TAPE STRIP DETAILS ONLY. SEE SHEET 3 FOR CONNECTOR AND PCB LAYOUT DETAILS.**



- NOTES CONT.:
- COMPONENTS ARE ORIENTED IN TAPE POCKETS AS SHOWN.
  - COMPONENTS ARE SUPPLIED IN STRIPS OF 10 UNLESS OTHERWISE SPECIFIED.
  - LARGE QTY'S MAY BE SHIPPED ON A REEL AND MAY NOT HAVE A LEADER.
  - FOR PARTS ON REEL SUITABLE FOR AUTOMATIC MACHINE PLACEMENT PLEASE ORDER: G125-FS1XX05F2R.

LOOSE PART No. CUT STRIPS IN MULTIPLES OF 1	DIM 'A'	DIM 'B'	DIM 'C'	DIM 'D'
G125-FS10605F2P				13.60
G125-FS11005F2P	32.0±0.3	28.40	14.20	16.10
G125-FS11205F2P				17.35
G125-FS11605F2P				19.85
G125-FS12005F2P	44.0±0.3	40.40	20.20±0.15	22.20±0.15
G125-FS12605F2P				26.00±0.15
G125-FS13405F2P	56.0±0.3	52.40	26.20±0.15	30.90±0.15
G125-FS15005F2P				41.00±0.15

RTP	2	15.09.21	30824
NAME	ISS.	DATE	CN/CO
APPROVED: R. PORTLOCK			
CHECKED: R. ALEXANDER			
DRAWN: MARK G PLESTED			
CUSTOMER REF.:			
ASSEMBLY DRG:			

**HARWIN**

www.harwin.com  
 technical@harwin.com

THIS DRAWING AND ANY INFORMATION OR DESCRIPTIVE MATTER SET OUT HEREON ARE CONFIDENTIAL AND COPYRIGHT PROPERTY OF THE HARWIN GROUP AND MUST NOT BE DISCLOSED, LOANED, COPIED OR USED FOR MANUFACTURING, TENDERING OR FOR ANY OTHER PURPOSE WITHOUT THEIR WRITTEN PERMISSION.

TOLERANCES

X. = ±1mm  
 X.X = ±0.50mm  
 X.XX = ±0.20mm  
 X.XXX = ±0.01mm  
 ANGLES = ±5°  
 UNLESS STATED

MATERIAL:

SEE ABOVE

FINISH:

SEE ABOVE

S/AREA:

mm<sup>2</sup>

TITLE:

GECKO-SL REVERSE FIX FEMALE VERT. SMT CONNECTOR IN TAPE

DRAWING NUMBER:

**G125-FS1XX05F2P**

SHT  
 4 OF 4

# Mouser Electronics

Authorized Distributor

Click to View Pricing, Inventory, Delivery & Lifecycle Information:

[Harwin:](#)

[G125-FS10605F2P](#) [G125-FS11005F2P](#) [G125-FS11205F2P](#) [G125-FS11605F2P](#) [G125-FS12005F2P](#) [G125-FS12605F2P](#) [G125-FS13405F2P](#) [G125-FS15005F2P](#)