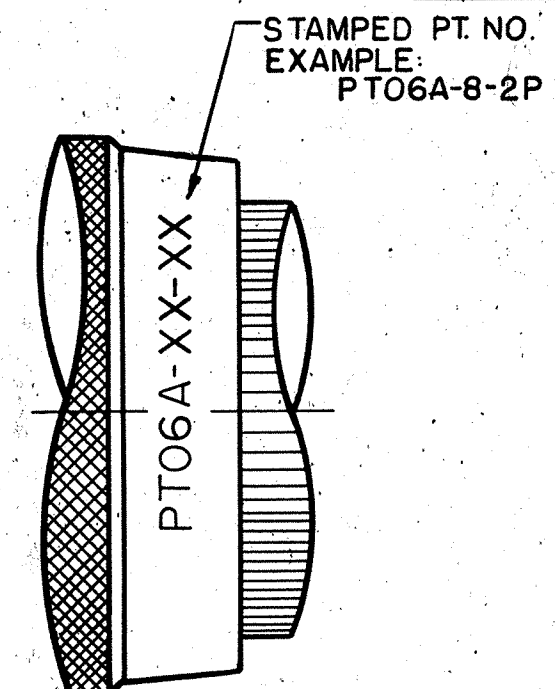
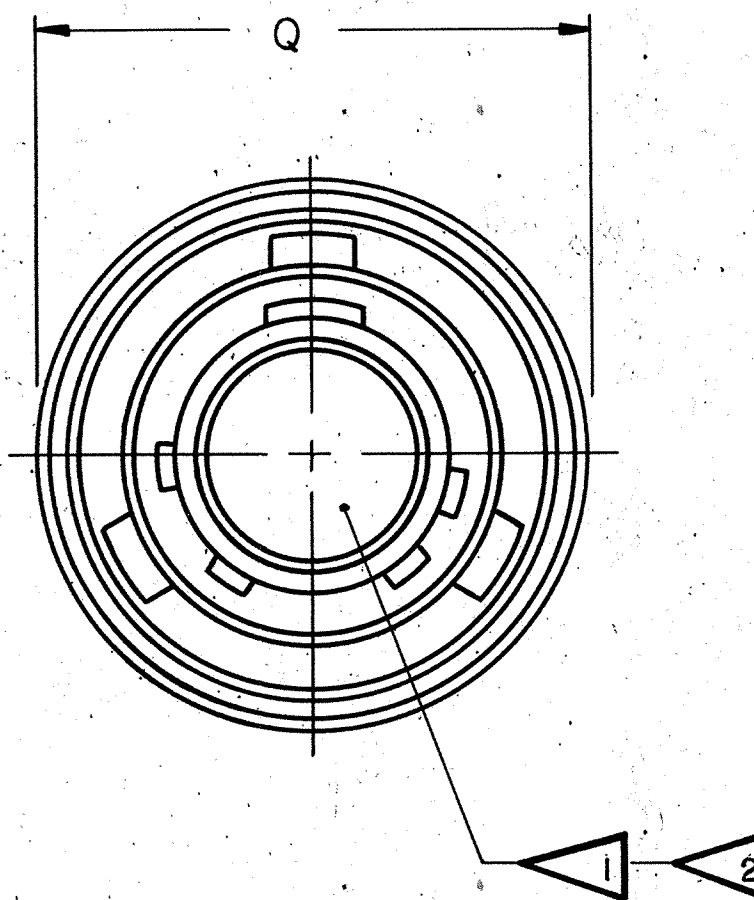
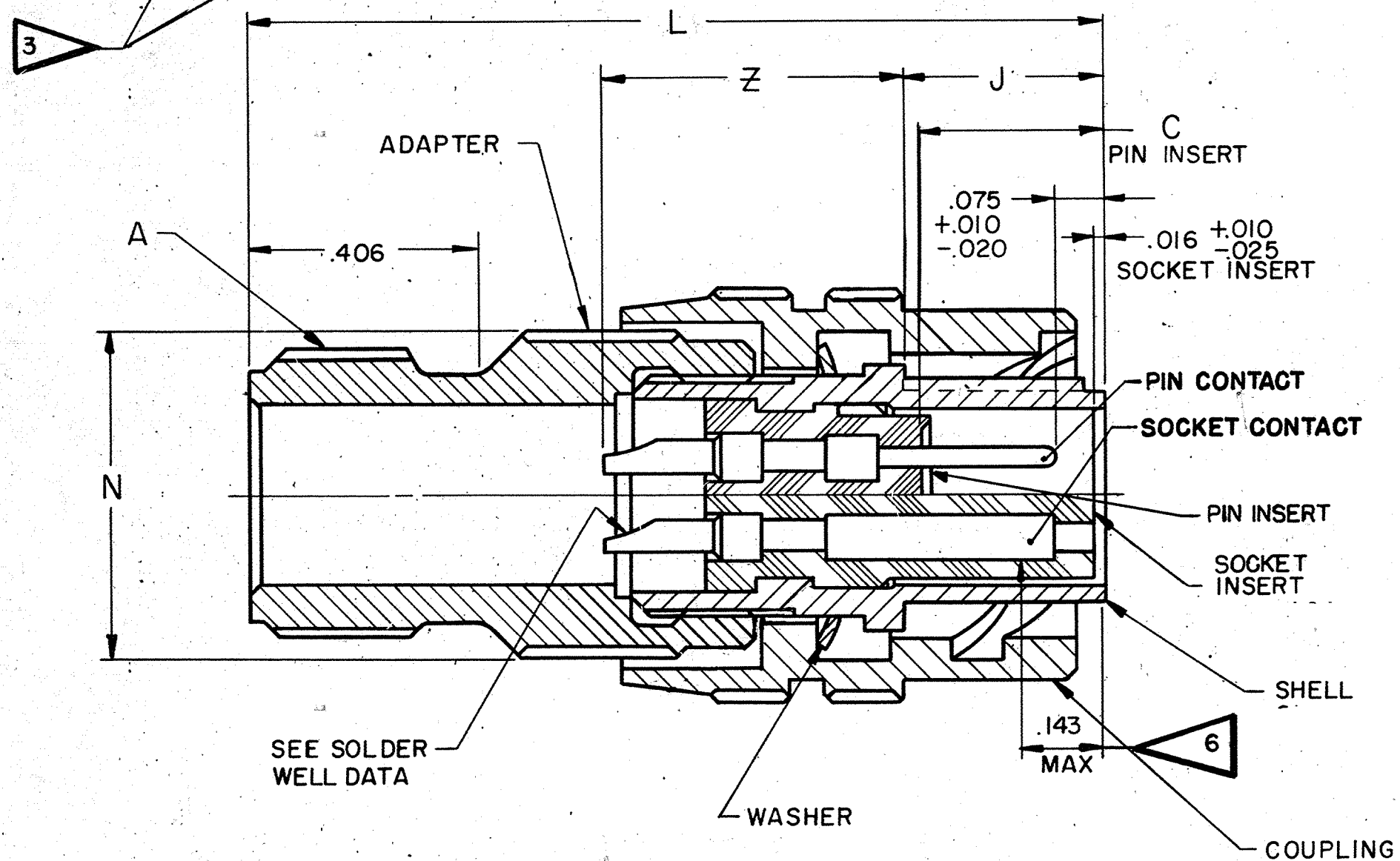


ASSEMBLY NUMBER	PT NO.	A THREAD (PLATED) CLASS 2A	C +.010 -.025	J	L +.031 -.047	N DIA +.000 -.031	Q +.000 -.047	Z ±.035
71-146606-	06A-6-	3750-32UNEF	.328	.353	1.516	.453	.609	.525
71-146608-	-8-	5000-28UNEF				.578	.734	
71-146610-	-10-	6250-24UNEF				.703	.844	
71-146612-	-12-	7500-20UNEF				.828	1.016	
71-146614-	-14-	8750-20UNEF				.968	1.141	
71-146616-	-16-	10000-20UNEF				1.078	1.266	
71-146618-	-18-	11875-18 UNEF				1.203	1.375	
71-146620-	-20-	11875-18 UNEF		.415	1.578	1.328	1.516	.619
71-146622-	-22-	14375-18 UNEF			1.578	1.453	1.641	
71-146624-	-24-	14375-18 UNEF			1.662	1.567	1.761	
71-146625/50-								

REL NO. 32508-136		REVISIONS		M	
CHG NO.	SYM	DESCRIPTION	DATE	APPROVED	
45525 -184	A1	REDRAWN SAME SIZE, REV. DATA (MFG);	9-9-65 LESUER		Harrison

ACCESSORIES (NOT PART OF STANDARD ASSEMBLY)	
SEE DRAWING 10-150000	
THERMOCOUPLE CONTACT DATA (WHERE APPLICABLE)	
MATERIAL	IDENTIFICATION
CHROMEL	WHITE
ALUMEL	GREEN
IRON	BLACK
CONSTANTAN	YELLOW



SOLDER WELL DATA		
CONTACT SIZE	20	16
WELL DIA	.046 \pm .004 -.000	.078 \pm .004 -.002
WELL DEPTH	\pm .031 -.000	.125
		.188

1. INSERTS & CONTACTS MUST NOT BE REMOVED.
2. FOR CONTACT ARRANGEMENTS, SEE DRAWINGS L-15206-() THRU L-15250-().
3. TO COMPLETE ASSY NO. & PT NO. ADD APPLICABLE INSERT ARRANGEMENT SUFFIX TO BASE NUMBERS LISTED ABOVE PER 9-2437-1.
4. FOR MATING RECEPTACLE, SEE 71-146206/50 & OTHERS.
5. UNITS ILLUSTRATED MEET THE MATERIAL & FINISH REQUIREMENTS OF MIL-C-26482.
6. DISTANCE BETWEEN END OF SHELL & THE POINT AT WHICH A GAGE PIN, HAVING THE SAME BASIC DIAMETER AS THE MATING CONTACT & A SQUARE FACE, ENGAGES SOCKET CONTACT SPRING.

NOTES: REF SYMBOL \triangleleft

PARTS LIST		NEXT ASSEMBLY	
UNLESS OTHERWISE SPECIFIED		DRAWN: PESSAGNO DATE: 1-14-67	
LINEAR DIMENSIONS ARE IN INCHES. TOLERANCES: 3 PLACES \pm .010; 2 PLACES \pm .03; 1 PLACE \pm .1; ANGLES \pm 2°. OTHER STANDARDS PER SCINTILLA SPEC 9-3800 AND MIL-STD 8.		CHECKED: Tealon DATE: 10-28-65	
MATERIAL SPEC.		MATERIAL:	
PROCESS SPEC TEST 9-3980-2 9-2437-1		STANDARDS: J. Balantia 10-29-65	
		DRAFTING: Sweet 10-29-65 A.H. RC	
		ENGINEERING: W.M. Harrison 11-1-65	
		DEVELOPMENT: [Signature] 10-27-65	
		THE Bendix CORPORATION SCINTILLA DIVISION SIDNEY, NEW YORK, U.S.A.	
		TITLE: CONNECTOR, ELECTRICAL PLUG, TYPE PT-A() MC, OLIVE DRAB	
		CODE IDENT NO. 77820	SIZE C
		71-146606 THRU 71-146650	
		SCALE NONE	REF SHEET

Mouser Electronics

Authorized Distributor

Click to View Pricing, Inventory, Delivery & Lifecycle Information:

Amphenol:

[PT06A124SW](#) [PT06A105P](#) [PT06A106P005](#) [PT06A124S](#) [PT06A-14-19SY](#) [PT06A-14-19SW](#) [PT06A-14-19SX](#)
[PT06A-18-32P](#) [PT06A-18-32S](#) [PT06A-12-8P-SR](#) [PT06A-10-6S](#) [PT06A-10-6P](#) [PT06A-10-6P\(470\)](#) [PT06A-10-98P\(470\)](#) [PT06A-10-98S\(470\)](#) [PT06A-12-10P\(470\)](#) [PT06A-12-10S\(470\)](#) [PT06A-12-4S\(470\)](#) [PT06A-12-8P\(470\)](#)
[PT06A-14-15P\(470\)](#) [PT06A-14-15S\(470\)](#) [PT06A-14-5S\(470\)](#) [PT06A-16-26S\(470\)](#) [PT06A-18-11P\(470\)](#) [PT06A-18-11S\(470\)](#) [PT06A-18-32P\(470\)](#) [PT06A-18-32S\(470\)](#) [PT06A-20-16P\(470\)](#) [PT06A-20-16S\(470\)](#) [PT06A-22-21P\(470\)](#) [PT06A-22-21S\(470\)](#) [PT06A-22-55P\(470\)](#) [PT06A-22-55S\(470\)](#) [PT06A-8-2P\(470\)](#) [PT06A-8-2S\(470\)](#) [PT06A-8-3P\(470\)](#)
[PT06A-8-3S\(470\)](#) [PT06A-8-4P\(470\)](#) [PT06A-8-4S\(470\)](#) [PT06A-12-3PY](#) [PT06A-16-8S](#) [PT06A-8-4PW](#) [PT06A-12-10SX](#) [PT06A-14-18PX](#) [PT06A-10-5SW](#) [PT06A-10-5SX](#) [PT06A-10-5SY](#) [PT06A-10-6PW](#) [PT06A-10-6SW](#) [PT06A-10-6SX](#) [PT06A-12-10PW](#) [PT06A-12-10PX](#) [PT06A-12-10SW](#) [PT06A-12-10SZ](#) [PT06A-12-3SY](#) [PT06A-12-8PW](#) [PT06A-12-8PX](#) [PT06A-14-12SW](#) [PT06A-14-12SX](#) [PT06A-14-15PX](#) [PT06A-14-18PW](#) [PT06A-14-18PY](#) [PT06A-14-19PW](#) [PT06A-14-19PX](#) [PT06A-14-19PY](#) [PT06A-14-5PW](#) [PT06A-14-5PY](#) [PT06A-14-5SW](#) [PT06A-16-8PW](#) [PT06A-16-8PX](#) [PT06A-16-8PY](#) [PT06A-16-8SW](#) [PT06A-16-8SX](#) [PT06A-18-11SY](#) [PT06A-20-16PW](#) [PT06A-20-16SW](#) [PT06A-8-3PW](#) [PT06A-8-4SW](#) [PT06A-10-6S\(005\)](#) [PT06A-12-3P\(005\)](#) [PT06A-12-3S\(005\)](#) [PT06A-12-4S\(005\)](#) [PT06A-20-41PW](#) [PT06A0804S](#) [PT06A084P](#) [PT06A106P\(023\)](#) [PT06A124S\(023\)](#) [PT06A1626S\(005\)](#) [PT06A84S\(005\)](#) [PT06A-14-5S-SR](#) [PT06A-10-6S-SR](#) [PT06A-16-8S-SR](#) [PT06A-12-10S](#) [PT06A-12-8S](#) [PT06A-12-8P](#) [PT06A-24-61S](#) [PT06A1626PW](#) [PT06A168P](#) [PT06A123S](#) [PT06A123P](#)