

Customer Information Sheet

DRAWING No.: M80-460XXXX

SHEET 2 OF 2

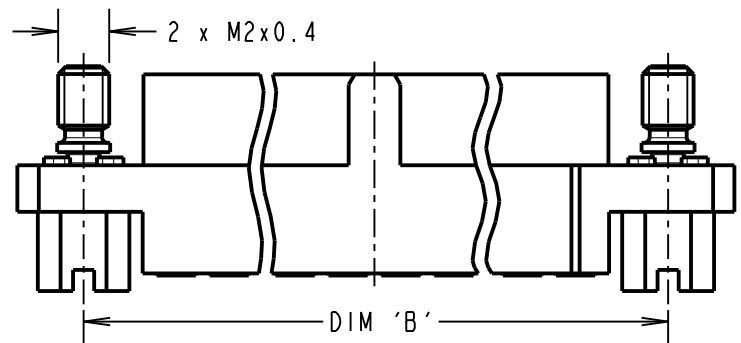
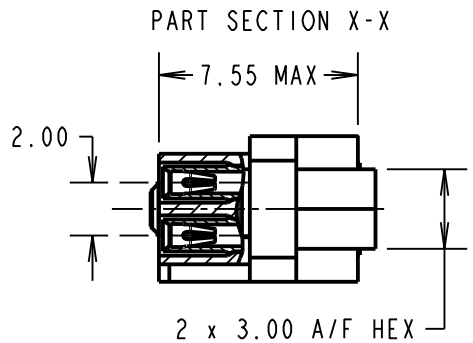
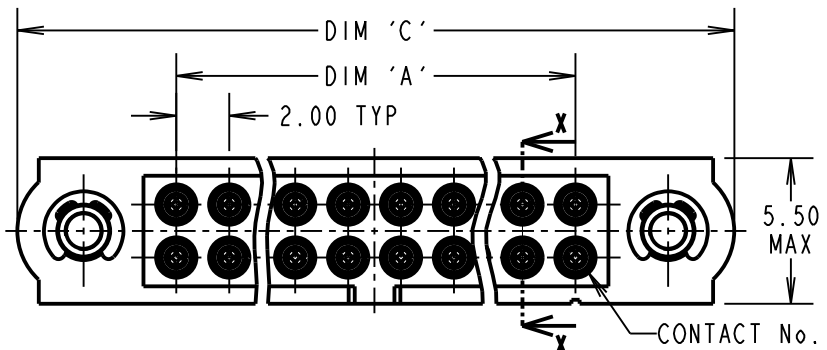
IF IN DOUBT - ASK

©

NOT TO SCALE

THIRD ANGLE PROJECTION

ALL DIMENSIONS IN mm



- NOTES:
- CONNECTOR IS SUPPLIED WITH CONTACTS LOOSE.
 - FOR EXTRA CONTACTS, USE PART No's.
M80-0110005 FOR M80-460XX05
M80-0110001 FOR M80-460XX42
 - RECOMMENDED WIRE TYPE = BS 3G 210 TYPE A, PTFE INSULATED 22 AWG. MAX INSULATION DIAMETER = $\varnothing 1.10\text{mm}$, STRIP WIRE BY 2.00mm.
 - RECOMMENDED HAND CRIMP TOOL = M22520/2-01 WITH POSITIONER T5747. REFER TO TOOLING INSTRUCTION SHEET IS-01 FOR COMPLETE CRIMPING INSTRUCTIONS. CONTACT INSERTION & EXTRACTION TOOL = Z80-280. REFER TO TOOLING INSTRUCTION SHEET IS-25 FOR ASSEMBLY INSTRUCTIONS.

SPECIFICATIONS:
MATERIAL:
 MOULDING = GLASS-FILLED PPS, UL94V-0, BLACK
 CONTACT CLIP = BERYLLIUM COPPER
 CONTACT SHELL = BRASS
 JACKSCREW, CIRCLIP = STAINLESS STEEL
FINISH:
 05 = 0.3 μ GOLD CLIP, 0.25-0.3 μ GOLD SHELL
 42 = 0.3 μ GOLD CLIP, 3.5-5.0 μ 100% TIN SHELL OVER NICKEL
ELECTRICAL:
 CURRENT RATING AT 25°C = 3.0A MAX
 CURRENT RATING AT 85°C = 2.2A MAX
 WORKING VOLTAGE = 800V AC/DC
 VOLTAGE PROOF = 1200V AC/DC
 CONTACT RESISTANCE = 25 m Ω MAX
 INSULATION RESISTANCE = 100 M Ω MIN
MECHANICAL:
 DURABILITY = 500 OPERATIONS
 INSERTION FORCE ($\varnothing 0.5\text{mm}$ GAUGE) = 2.8N MAX
 WITHDRAWAL FORCE ($\varnothing 0.5\text{mm}$ GAUGE) = 0.2N MIN
ENVIRONMENTAL:
 TEMPERATURE RANGE = -55°C TO +125°C
PACKING:
 LOOSE
 FOR COMPLETE SPECIFICATION, SEE COMPONENT SPECIFICATION C005XX (LATEST ISSUE)

| DIMENSION | CALCULATION |
|-----------|----------------------------|
| DIM 'A' | TOTAL No. OF CONTACTS - 2 |
| DIM 'B' | TOTAL No. OF CONTACTS + 5 |
| DIM 'C' | TOTAL No. OF CONTACTS + 10 |

EXAMPLE: CONNECTOR WITH 20 CONTACTS, GOLD CLIP AND 100% TIN SHELL, M80-4602042

DIM 'A' = 18.00mm, DIM 'B' = 25.00mm, DIM 'C' = 30.00mm

ORDER CODE:
M80-460XXXX

TOTAL No. OF CONTACTS
 04 TO 50
 (EVEN NUMBERS ONLY)

FINISH CODE
 05 - GOLD CLIP, GOLD SHELL
 42 - GOLD CLIP, 100% TIN SHELL

| | | | |
|---------------------|------|----------|--------|
| MGP | 5 | 07.10.13 | 12230 |
| NAME | ISS. | DATE | C/NOTE |
| APPROVED: MGP | | | |
| CHECKED: MS | | | |
| DRAWN: W. J. BOURNE | | | |
| CUSTOMER REF.: | | | |
| ASSEMBLY DRG: | | | |



www.harwin.com
 technical@harwin.com

THIS DRAWING AND ANY INFORMATION OR DESCRIPTIVE MATTER SET OUT HEREON ARE CONFIDENTIAL AND COPYRIGHT PROPERTY OF THE HARWIN GROUP AND MUST NOT BE DISCLOSED, LOANED, COPIED OR USED FOR MANUFACTURING, TENDERING OR FOR ANY OTHER PURPOSE WITHOUT THEIR WRITTEN PERMISSION.

TOLERANCES
 X. = $\pm 1\text{mm}$
 X.X = $\pm 0.25\text{mm}$
 X.XX = $\pm 0.10\text{mm}$
 X.XXX = $\pm 0.01\text{mm}$
ANGLES = $\pm 5^\circ$
 UNLESS STATED

MATERIAL:
 SEE ABOVE
FINISH: SEE ABOVE
S/AREA: mm²

TITLE: DATAMATE J-TEK FEMALE DIL CRIMP (LARGE BORE) WITH SLOTTED JACKSCREW
DRAWING NUMBER:
M80-460XXXX
 SHT 2 OF 2

Mouser Electronics

Authorized Distributor

Click to View Pricing, Inventory, Delivery & Lifecycle Information:

Harwin:

[M80-4601005](#) [M80-4601042](#) [M80-4601405](#) [M80-4601442](#) [M80-4602642](#) [M80-4602605](#) [M80-4602042](#) [M80-4602005](#) [M80-4605042](#) [M80-4605005](#) [M80-4604205](#) [M80-4604242](#) [M80-4600642](#) [M80-4600605](#) [M80-4603442](#) [M80-4603405](#) [M80-4600405](#) [M80-4600842](#) [M80-4601205](#) [M80-4601242](#) [M80-4601805](#) [M80-4601842](#) [M80-4603805](#) [M80-4600442](#) [M80-4602442](#) [M80-4602405](#) [M80-4601605](#) [M80-4603842](#) [M80-4600805](#) [M80-4601642](#) [M80-4603205](#) [M80-4604005](#) [M80-4602242](#) [M80-4604442](#)