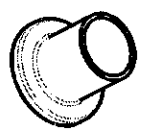
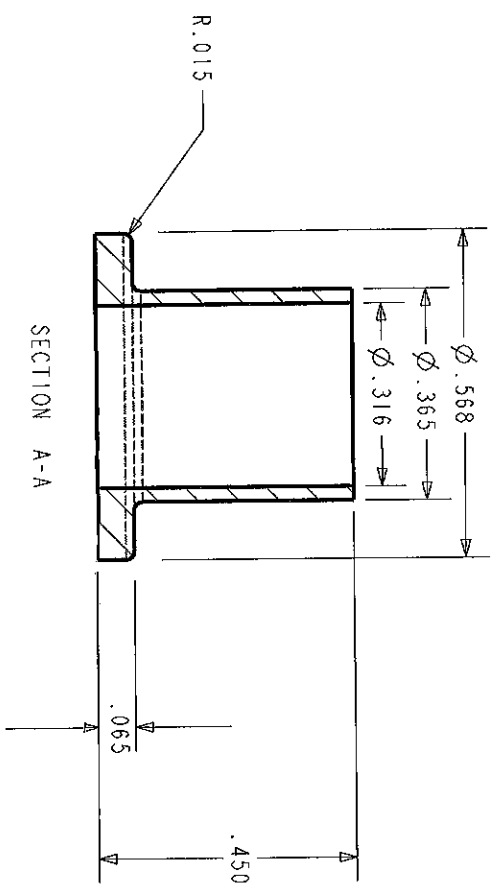
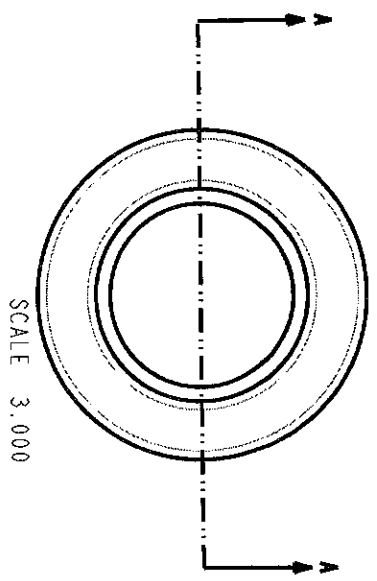


WHERE APPLICABLE:
 TECHNICAL DATA DISCLOSED HEREIN IS THE
 PROPERTY OF ALLIANCE PLASTICS, INC.
 AND IS NOT TO BE USED FOR MANUFACTURE
 PROCUREMENT OR DISCLOSED TO OTHERS
 WITHOUT WRITTEN PERMISSION BY THE OWNER.

CUSTOMER APPROVAL:



TOLERANCES (UNLESS OTHERWISE SPECIFIED)
 ± .02 FOR .XX DIMENSIONS
 ± .010 FOR .XXX DIMENSIONS
 ± .005 FOR .XXXX DIMENSIONS
 ± 1.0° FOR ANGULAR DIMENSIONS
 ± 1/64" FOR FRACTIONAL DIMENSIONS

REV	REVISION	BY	DATE

DWG/PART#: 212-NN-0128-0000

MATERIAL TYPE	NYLON
DENSITY	.040804 LB/IN ³
PART VOLUME	2.1433798e-02 IN ³
PART WEIGHT	8.7458467e-04 LB / .5 G
THEORETICAL CYCLE	



Alliance Plastics

10024 ROMANDEL AVE. 90670
 SANTA FE SPRINGS, CA
 (562) 946-3024 FAX (562) 944-6852

TITLE: BUSHING
 CUSTOMER:

REV	DATE
0	1/3/00

THIRD ANGLE PROJECTION



DRAWN BY: *SS* CHECKED BY: *SS* APPROVED BY: *SS*