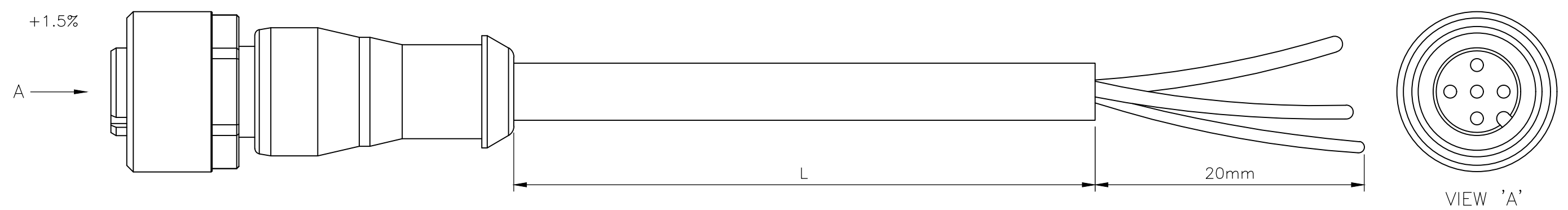


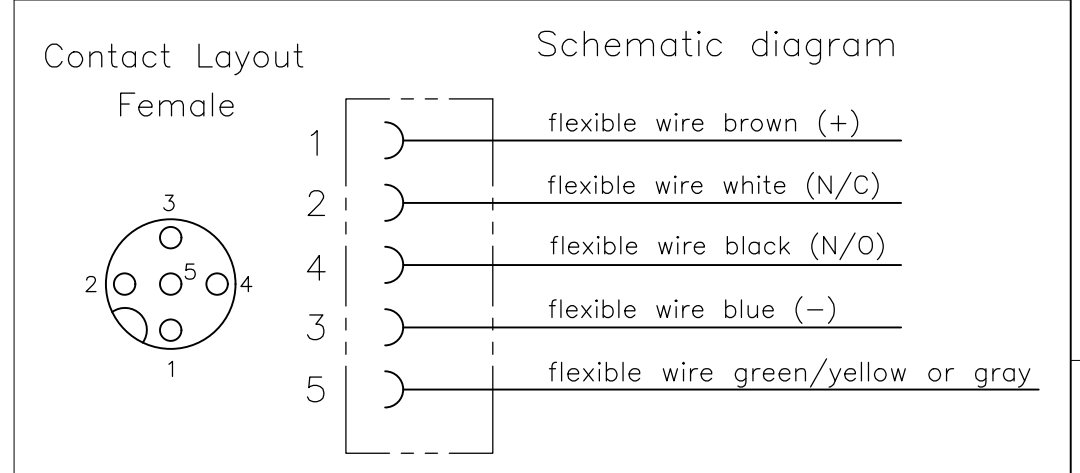
© - TE Connectivity. All Rights Reserved.

REVISIONS					
P	LTR	DESCRIPTION	DATE	DWN	APVD
	A1	ECR-14-011671	16AUG2014	GSK	BvH
	A2	ECR-15-008219	01JUN2015	GSK	BvH
	A3	REVISED PER ECR-20-010730	14AUG2020	AP	BP

NOTES:
 Tolerances cable lengths:
 0m to 0.5m +30mm
 0.5m to 1.0m +50mm
 1.0m to 3.0m +100mm
 < 3.0m +1.5%



TECHNICAL DATA	
Operating voltage	max. 125 V AC/DC
Operating current per contact	max. 4 A
Locking of ports	Screw thread M12 x 1 mm (recommended torque 0.6 Nm) self-securing
Protection	IP65 and IP67 when plugged and screwed down (EN 60529)



PUR CABLE	
No./diameter of wires	5 x 0.34 mm ²
Wire isolation	PP (br, wh, bl, bk, gnye)
C-track properties	yes
Jacket	PUR (UL/CSA)
Outer diameter	approx. 5.0 mm
Bend radius (moving)	10 x outer diameter
Temperature range (fixed)	-50...+80 °C
Temperature range (mobile)	-25...+80 °C

LENGTH "L"	MATERIAL	JACKET COLOR	TE PN	DESCRIPTION	ITEM
30000mm	PVC	Black	1-2273035-6	5x22AWG PVC 30.0m	10
20000mm			1-2273035-5	5x22AWG PVC 20.0m	9
10000mm			1-2273035-4	5x22AWG PVC 10.0m	8
5000mm			1-2273035-3	5x22AWG PVC 5.0m	7
3000mm			1-2273035-2	5x22AWG PVC 3.0m	6
1500mm			1-2273035-1	5x22AWG PVC 1.5m	5
10000mm	PUR	Black	2273035-4	5x22AWG PUR 10.0m	4
5000mm			2273035-3	5x22AWG PUR 5.0m	3
3000mm			2273035-2	5x22AWG PUR 3.0m	2
1500mm			2273035-1	5x22AWG PUR 1.5m	1

PVC CABLE	
No./diameter of wires	5 x 0.34 mm ²
Wire isolation	PVC (br, wh, bl, bk, gnye)
C-track properties	
Jacket	PVC (UL/CSA)
Outer diameter	approx. 5.2 mm
Bend radius (moving)	10 x outer diameter
Temperature range (fixed)	-30...+80 °C
Temperature range (mobile)	-5...+80 °C

THIS DRAWING IS A CONTROLLED DOCUMENT.

DIMENSIONS: mm	TOLERANCES UNLESS OTHERWISE SPECIFIED:	DWN YATHISH.C 16NOV2013	 TE Connectivity
	0 PLC ± -	CHK B.VELDHOVEN 16NOV2013	
	1 PLC ± -	APVD A.VAN ZANDVOORT 16NOV2013	
	2 PLC ± -	NAME M12 X 1.0 STRAIGHT SOCKET PIGT A	
3 PLC ± -	4 PLC ± -	PRODUCT SPEC 108-19483	
4 PLC ± -	ANGLES ± -	APPLICATION SPEC 114-32127	
MATERIAL -	FINISH -	WEIGHT 0.000000	RESTRICTED TO -
CUSTOMER DRAWING			SCALE NTS SHEET 1 OF 1 REV A3