

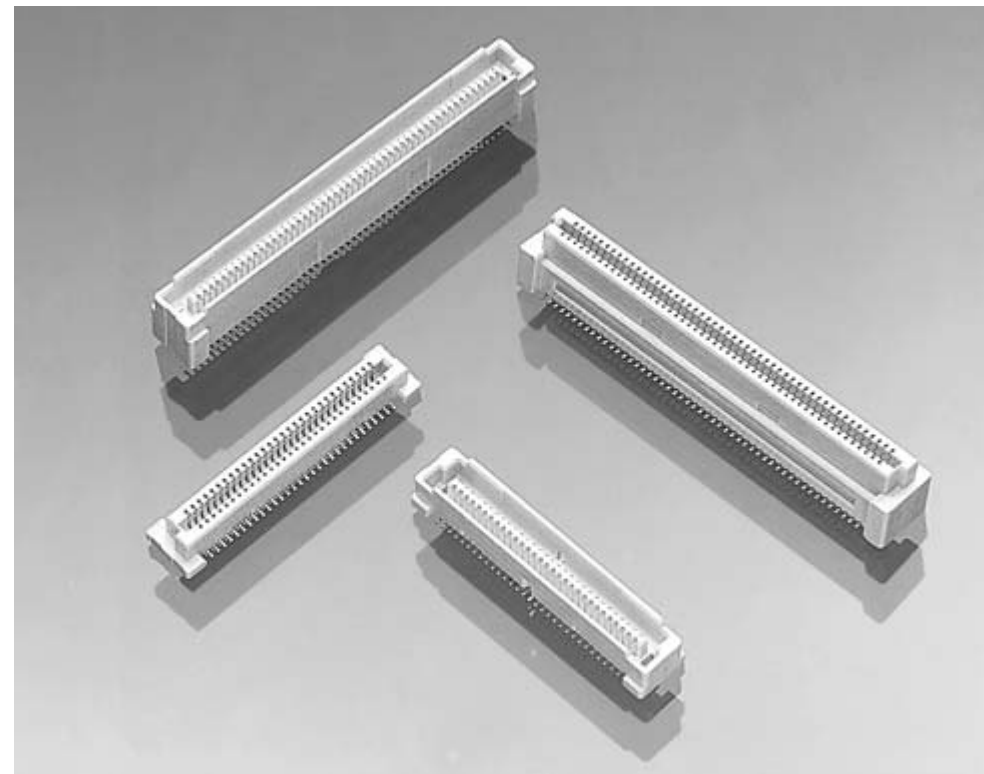


**Product Facts**

- For parallel board stacking applications
- High density packaging on 0.8 [.031] centerline spacing
- Available sizes from 40 to 200 positions (in 20 position increments)
- Board stacking heights available from 5 [.197] to 16 [.630] (in 1 [.039] increments)
- Bellows type spring contacts are resistant to scooping and stubbing during mating and unmating
- Positioning bosses for proper on-board orientation
- Available packaged on "tape-and-reel" for automatic placement per EIA standards
- Recognized under the Component Program of Underwriter Laboratories Inc., File No. E28476



**0.8mm Free Height (FH) Connectors**



Tyco Electronics 0.8mm FH surface-mount connectors are designed for parallel board stacking applications using subminiature connectors to meet today's electronic industry requirements for high density packaging.

It is possible to save more than 50% of the required board space when compared to conventional 1.27 [.050] centerline connectors.

0.8mm FH connectors are ideally suited for application downsizing, such as notebook PCs, pen pads, cellular telephones and other electronic equipment requiring miniature connector packaging.

Vertical board-mount plugs and receptacles are available. By mating combinations of plug and receptacle housing heights, board-to-board stacking heights from 5 [.197] to 16 [.630] (in 1 [.039] increments) can be achieved.

The receptacles are preloaded with the Tyco Electronics unique bellows-type spring contacts for reliable electrical connection with the plugs.

In addition, right angle plugs are available which mate to standard receptacles.

**Performance Characteristics**

**Voltage Rating** — 100 VAC

**Current Rating** — 0.5 ampere

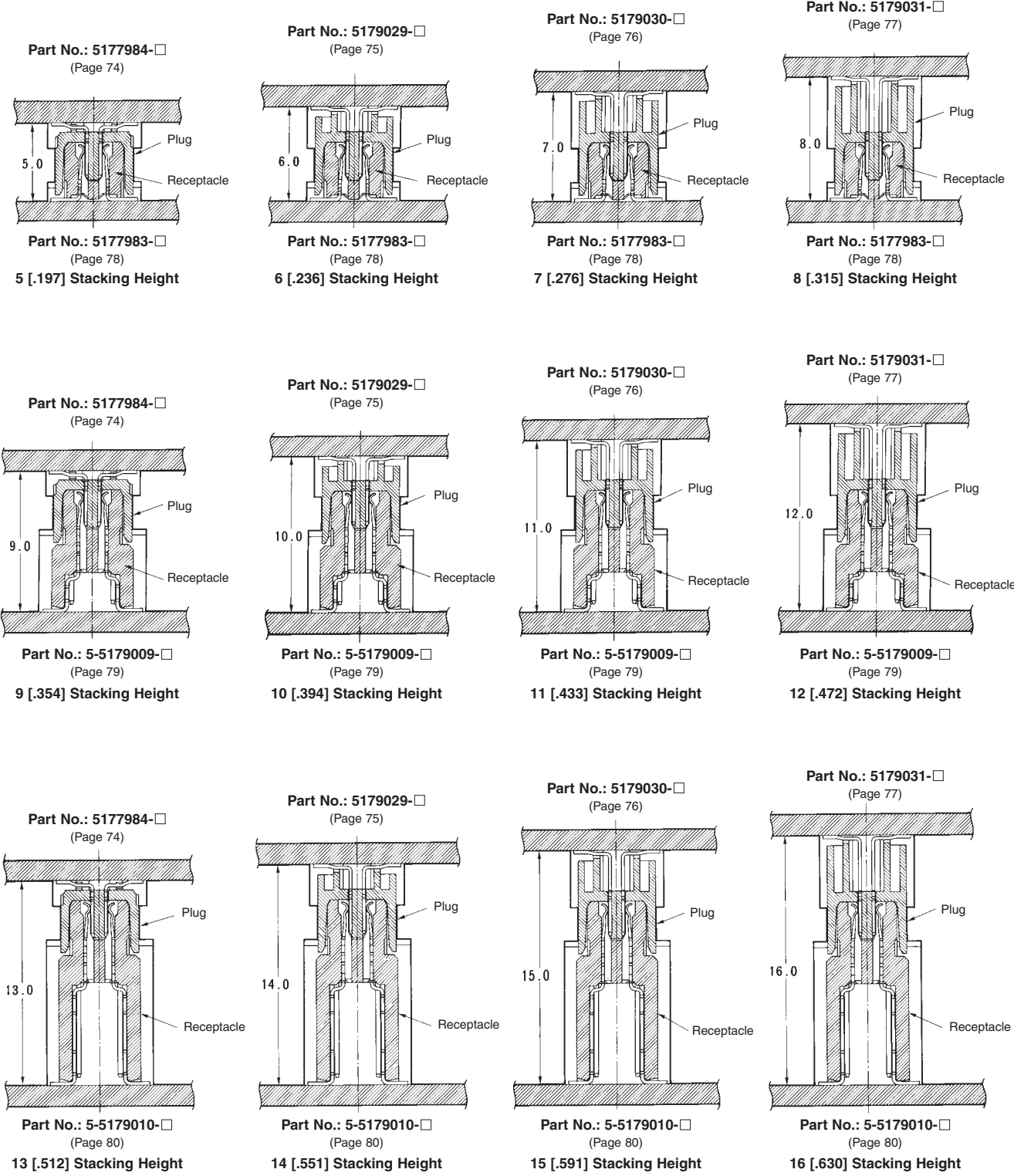
**Contact Resistance** — 30 milliohms max. (initial)

**Dielectric Withstanding Voltage** — 500 VAC (1 minute)

**Operating Temperature** — -40°C to +85°C (Including terminal temperature rise)

0.8mm Free Height (FH) Connectors

**Board-to-Board Stacking Heights (By Plug/Receptacle Combinations)**



**Notes:** For specific dash nos. of sizes 40 to 200 positions (in 20-position increments), see pages 73 thru 81.  
Part Numbers are RoHS compliant.

**0.8mm Free Height (FH) Connectors** (Continued)

Gender	Height	Plating Au Thickness	Package Type	Pickup Cap	40 Pos.	60 Pos.	80 Pos.	100 Pos.	120 Pos.	140 Pos.	160 Pos.	180 Pos.	200 Pos.
5H	8j <sup>+</sup>	No	Tube	No	5177983-1	5177983-2	5177983-3	5177983-4	5177983-5	5177983-6	5177983-8	5177983-9	1-5177983-0
		Yes	Tube	Yes	5179229-1	5179229-2	5179229-3	5179229-4	5179229-5	5179229-6	5179229-8	5179229-9	1-5179229-0
		Yes	Tape and Reel	Yes	5177985-1	5177985-2	5177985-3	5177985-4	5177985-5	5177985-6	5177985-8	5177985-9	—
	30j <sup>+</sup>	No	Tube	No	6123000-1	6123000-2	6123000-3	6123000-4	6123000-5	6123000-6	6123000-8	6123000-9	1-6123000-0
		Yes	Tube	Yes	5353999-1	5353999-2	5353999-3	5353999-4	5353999-5	5353999-6	5353999-8	5353999-9	—
		Yes	Tube	No	5-5179009-1	5-5179009-2	5-5179009-3	5-5179009-4	5-5179009-5	5-5179009-6	5-5179009-8	5-5179009-9	6-5179009-0
9H	8j <sup>+</sup>	No	Tube	Yes	5-5179232-1	5-5179232-2	5-5179232-3	5-5179232-4	5-5179232-5	5-5179232-6	5-5179232-8	5-5179232-9	6-5179232-0
		Yes	Tape and Reel	Yes	5-5179180-1	5-5179180-2	5-5179180-3	5-5179180-4	5-5179180-5	5-5179180-6	5-5179180-8	5-5179180-9	—
		Yes	Tube	No	5084613-1	5084613-2	5084613-3	5084613-4	5084613-5	5084613-6	5084613-8	5084613-9	1-5084613-0
	30j <sup>+</sup>	No	Tube	Yes	7-5179180-1	7-5179180-2	7-5179180-3	7-5179180-4	7-5179180-5	7-5179180-6	7-5179180-8	7-5179180-9	—
		Yes	Tape and Reel	No	5-5179010-1	5-5179010-2	5-5179010-3	5-5179010-4	5-5179010-5	5-5179010-6	5-5179010-8	5-5179010-9	6-5179010-0
		Yes	Tube	Yes	5-5179233-1	5-5179233-2	5-5179233-3	5-5179233-4	5-5179233-5	5-5179233-6	5-5179233-8	5-5179233-9	6-5179233-0
13H	8j <sup>+</sup>	No	Tape and Reel	Yes	5084616-1	5084616-2	5084616-3	5084616-4	5084616-5	5084616-6	5084616-8	5084616-9	—
		Yes	Tube	No	5-6123212-1	5-6123212-2	5-6123212-3	5-6123212-4	5-6123212-5	5-6123212-6	5-6123212-8	5-6123212-9	6-6123212-0
		Yes	Tube	Yes	5084618-1	5084618-2	5084618-3	5084618-4	5084618-5	5084618-6	5084618-8	5084618-9	—
	30j <sup>+</sup>	No	Tube	No	5177984-1	5177984-2	5177984-3	5177984-4	5177984-5	5177984-6	5177984-8	5177984-9	1-5177984-0
		Yes	Tape and Reel	Yes	5179230-1	5179230-2	5179230-3	5179230-4	5179230-5	5179230-6	5179230-8	5179230-9	1-5179230-0
		Yes	Tube	Yes	5177986-1	5177986-2	5177986-3	5177986-4	5177986-5	5177986-6	5177986-8	5177986-9	—
5H	8j <sup>+</sup>	No	Tube	No	5084614-1	5084614-2	5084614-3	5084614-4	5084614-5	5084614-6	5084614-8	5084614-9	1-5084614-0
		Yes	Tube	Yes	—	—	—	—	—	—	—	—	—
		Yes	Tape and Reel	Yes	5-5177986-1	5-5177986-2	5-5177986-3	5-5177986-4	5-5177986-5	5-5177986-6	5-5177986-8	5-5177986-9	1-5179029-0
	30j <sup>+</sup>	No	Tube	No	5179029-1	5179029-2	5179029-3	5179029-4	5179029-5	5179029-6	5179029-8	5179029-9	1-5179029-0
		Yes	Tube	Yes	2-5179230-1	2-5179230-2	2-5179230-3	2-5179230-4	2-5179230-5	2-5179230-6	2-5179230-8	2-5179230-9	3-5179230-0
		Yes	Tape and Reel	Yes	1-5177986-1	1-5177986-2	1-5177986-3	1-5177986-4	1-5177986-5	1-5177986-6	1-5177986-8	1-5177986-9	—
6H	8j <sup>+</sup>	No	Tube	No	5084615-1	5084615-2	5084615-3	5084615-4	5084615-5	5084615-6	5084615-8	5084615-9	1-5084615-0
		Yes	Tube	Yes	—	—	—	—	—	—	—	—	—
		Yes	Tape and Reel	Yes	6-5177986-1	6-5177986-2	6-5177986-3	6-5177986-4	6-5177986-5	6-5177986-6	6-5177986-8	6-5177986-9	1-5179030-0
	30j <sup>+</sup>	No	Tube	No	5179030-1	5179030-2	5179030-3	5179030-4	5179030-5	5179030-6	5179030-8	5179030-9	1-5179030-0
		Yes	Tube	Yes	4-5179230-1	4-5179230-2	4-5179230-3	4-5179230-4	4-5179230-5	4-5179230-6	4-5179230-8	4-5179230-9	5-5179230-0
		Yes	Tape and Reel	Yes	2-5177986-1	2-5177986-2	2-5177986-3	2-5177986-4	2-5177986-5	2-5177986-6	2-5177986-8	2-5177986-9	—
7H	8j <sup>+</sup>	No	Tube	No	1-5179030-1	1-5179030-2	1-5179030-3	1-5179030-4	1-5179030-5	1-5179030-6	1-5179030-8	1-5179030-9	2-5179030-0
		Yes	Tube	Yes	2-5179030-1	2-5179030-2	2-5179030-3	2-5179030-4	2-5179030-5	2-5179030-6	2-5179030-8	2-5179030-9	3-5179030-0
		Yes	Tape and Reel	Yes	—	—	—	—	—	—	—	—	—
	30j <sup>+</sup>	No	Tube	No	5179031-1	5179031-2	5179031-3	5179031-4	5179031-5	5179031-6	5179031-8	5179031-9	1-5179031-0
		Yes	Tube	Yes	6-5179230-1	6-5179230-2	6-5179230-3	6-5179230-4	6-5179230-5	6-5179230-6	6-5179230-8	6-5179230-9	7-5179230-0
		Yes	Tape and Reel	Yes	3-5177986-1	3-5177986-2	3-5177986-3	3-5177986-4	3-5177986-5	3-5177986-6	3-5177986-8	3-5177986-9	—
8H	8j <sup>+</sup>	No	Tube	No	6123002-1	6123002-2	6123002-3	6123002-4	6123002-5	6123002-6	6123002-8	6123002-9	1-6123002-0
		Yes	Tube	Yes	—	—	—	—	—	—	—	—	—
		Yes	Tape and Reel	Yes	6123001-1	6123001-2	6123001-3	6123001-4	6123001-5	6123001-6	6123001-8	6123001-9	—
	30j <sup>+</sup>	No	Tube	No	—	—	—	—	—	—	—	—	—
		Yes	Tube	No	316229-3	316229-2	—	—	—	—	—	—	—
		Yes	Tape and Reel	Yes	—	—	—	—	—	—	—	—	—

Stack Height = [(Rept. Height + Plug Height) ÷ 5]  
 example: [(13H Rept. + 6H Plug) ÷ 5] = [(13 + 6) ÷ 5] = 14mm stack height  
 Note: Part Numbers are RoHS compliant.

**0.8mm Free Height (FH) Connectors**



**5mm Plugs for 5 [.197], 9 [.354] and 13 [.512] Stacking Heights**

**Material and Finish**

**Housing** — High temperature thermo-plastic, natural color, 94V-0 rated

**Contacts** — Brass; duplex plated 0.00020 [.000008] min. gold on contact area, 0.00100 [.000039] min. tin on solder area, with entire contact underplated 0.00130 [.000051] min. nickel

**Related Product Data**

**Performance Characteristics** — page 71

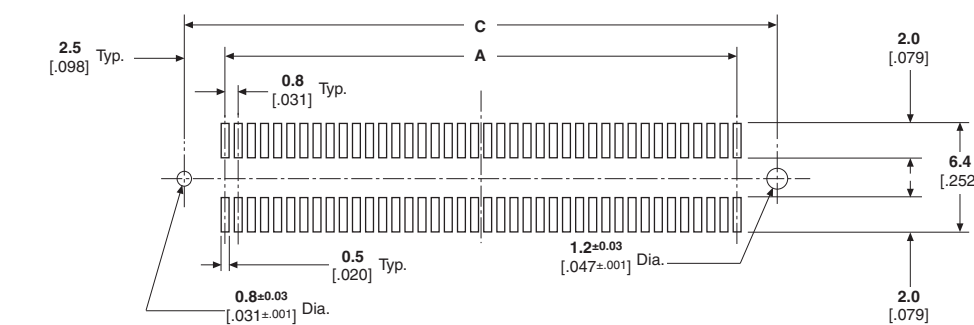
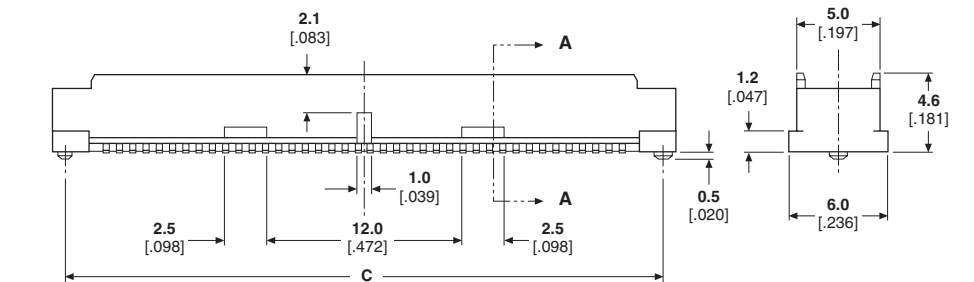
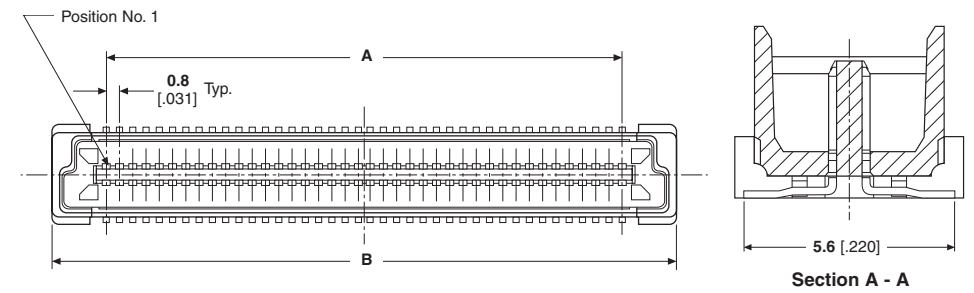
**Stacking Height Combinations** — page 72

**Mating Receptacles** — pages 78 thru 80

**Technical Documents** (page 113)

**Product Specification**  
108-5390

**0.8mm Free Height Vertical Plugs, 0.8 [.031] Pitch**



Recommended PC Board Layout

Dimensions			No. of Positions	Plating Type	Part Numbers		
A	B	C			Tube	Tube w/ Pickup Cap	Tape and Reel
15.20 .598	21.80 .858	20.20 .795	40	8μ" Au 30μ" Au	5177984-1 5084614-1	5179230-1 —	5177986-1 5-5177986-1
23.20 .913	29.80 1.173	28.20 1.110	60	8μ" Au 30μ" Au	5177984-2 5084614-2	5179230-2 —	5177986-2 5-5177986-2
31.20 1.228	37.80 1.488	36.20 1.425	80	8μ" Au 30μ" Au	5177984-3 5084614-3	5179230-3 —	5177986-3 5-5177986-3
39.20 1.543	45.80 1.803	44.20 1.740	100	8μ" Au 30μ" Au	5177984-4 5084614-4	5179230-4 —	5177986-4 5-5177986-4
47.20 1.858	53.80 2.118	52.20 2.055	120	8μ" Au 30μ" Au	5177984-5 5084614-5	5179230-5 —	5177986-5 5-5177986-5
55.20 2.173	61.80 2.433	60.20 2.370	140	8μ" Au 30μ" Au	5177984-6 5084614-6	5179230-6 —	5177986-6 5-5177986-6
63.20 2.488	69.80 2.748	68.20 2.685	160	8μ" Au 30μ" Au	5177984-8 5084614-8	5179230-8 —	5177986-8 5-5177986-8
71.20 2.803	77.80 3.063	76.20 3.000	180	8μ" Au 30μ" Au	5177984-9 5084614-9	5179230-9 —	— —
79.20 3.118	85.80 3.378	84.20 3.315	200	8μ" Au 30μ" Au	1-5177984-0 1-5084614-0	1-5179230-0 —	— —

Note: Part Numbers are RoHS compliant.

**6mm Plugs for 6 [.236], 10 [.394] and 14 [.551] Stacking Heights**

**Material and Finish**

**Housing** — High temperature thermo-plastic, natural color, 94V-0 rated

**Contacts** — Brass; duplex plated 0.00020 [.000008] min. gold on contact area, 0.00100 [.000039] min. tin on solder area, with entire contact underplated 0.00130 [.000051] min. nickel

**Related Product Data**

**Performance Characteristics** — page 71

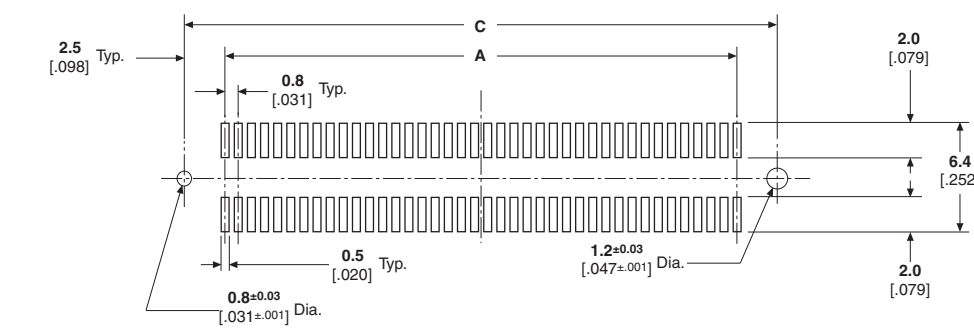
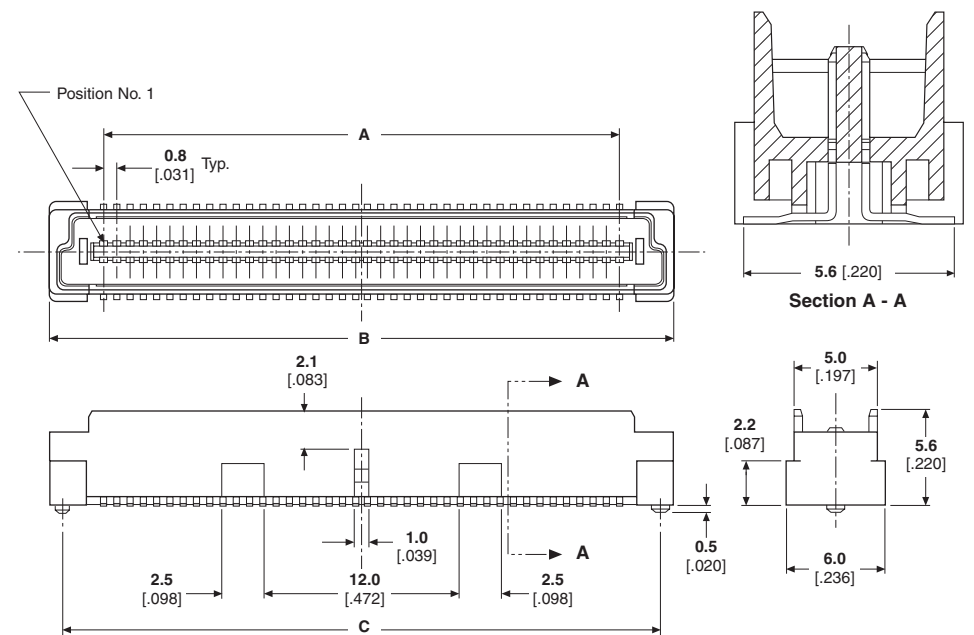
**Stacking Height Combinations** — page 72

**Mating Receptacles** — pages 78 thru 80

**Technical Documents** (page 113)

**Product Specification**  
108-5390

**0.8mm Free Height Vertical Plugs, 0.8 [.031] Pitch** (Continued)



Recommended PC Board Layout

Dimensions			No. of Positions	Plating Type	Part Numbers		
A	B	C			Tube	Tube w/ Pickup Cap	Tape and Reel
15.20 .598	21.80 .858	20.20 .795	40	8µ" Au 30µ" Au	5179029-1 5084615-1	2-5179230-1 —	1-5177986-1 6-5177986-1
23.20 .913	29.80 1.173	28.20 1.110	60	8µ" Au 30µ" Au	5179029-2 5084615-2	2-5179230-2 —	1-5177986-2 6-5177986-2
31.20 1.228	37.80 1.488	36.20 1.425	80	8µ" Au 30µ" Au	5179029-3 5084615-3	2-5179230-3 —	1-5177986-3 6-5177986-3
39.20 1.543	45.80 1.803	44.20 1.740	100	8µ" Au 30µ" Au	5179029-4 5084615-4	2-5179230-4 —	1-5177986-4 6-5177986-4
47.20 1.858	53.80 2.118	52.20 2.055	120	8µ" Au 30µ" Au	5179029-5 5084615-5	2-5179230-5 —	1-5177986-5 6-5177986-5
55.20 2.173	61.80 2.433	60.20 2.370	140	8µ" Au 30µ" Au	5179029-6 5084615-6	2-5179230-6 —	1-5177986-6 6-5177986-6
63.20 2.488	69.80 2.748	68.20 2.685	160	8µ" Au 30µ" Au	5179029-8 5084615-8	2-5179230-8 1-5084615-8	— —
71.20 2.803	77.80 3.063	76.20 3.000	180	8µ" Au 30µ" Au	5179029-9 5084615-9	2-5179230-9 1-5084615-9	— —
79.20 3.118	85.80 3.378	84.20 3.315	200	8µ" Au 30µ" Au	1-5179029-0 1-5084615-9	3-5179230-0 2-5084615-0	— —

Note: Part Numbers are RoHS compliant.

0.8mm Free Height (FH) Connectors

**7mm Plugs for 7 [.276], 11 [.433] and 15 [.591] Stacking Heights**

**Material and Finish**

**Housing** — High temperature thermo-plastic, natural color, 94V-0 rated

**Contacts** — Brass; duplex plated 0.00020 [.000008] min. gold on contact area, 0.00100 [.000039] min. tin on solder area, with entire contact underplated 0.00130 [.000051] min. nickel

**Related Product Data**

**Performance Characteristics** — page 71

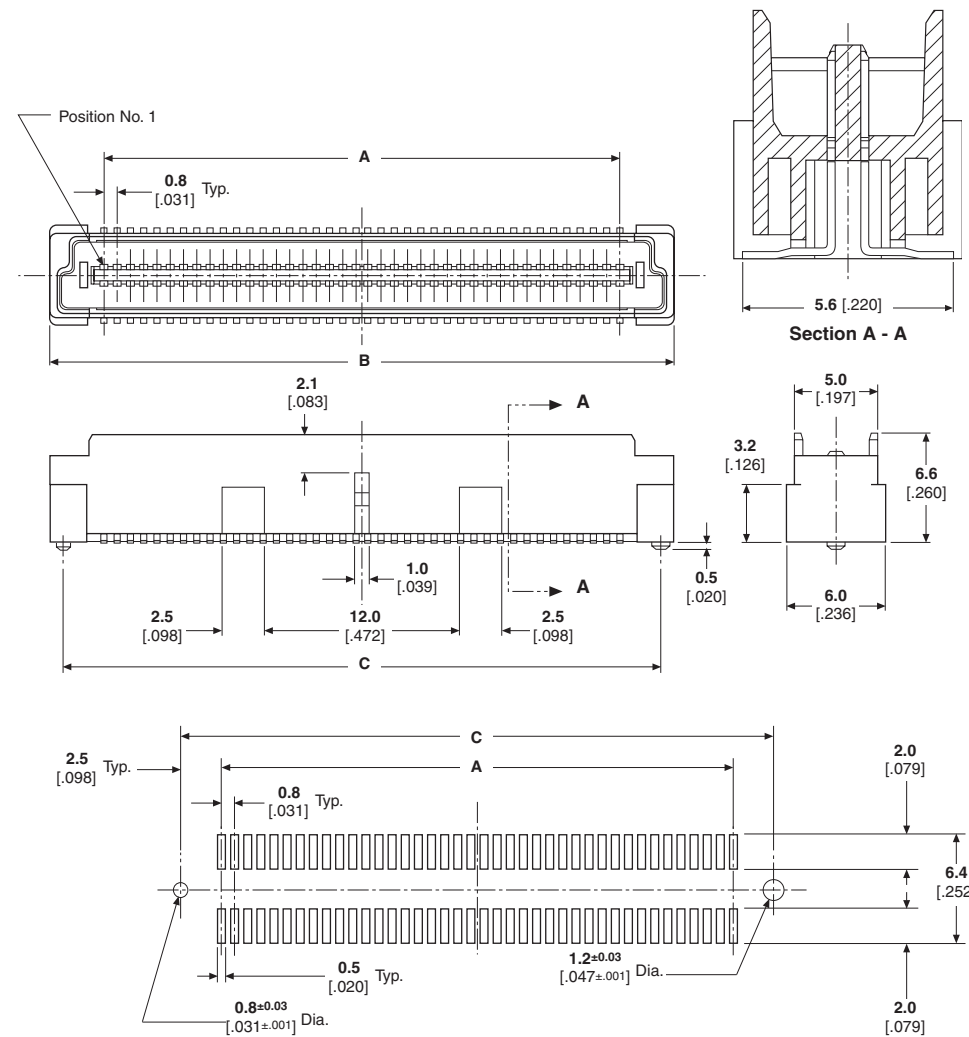
**Stacking Height Combinations** — page 72

**Mating Receptacles** — pages 78 thru 80

**Technical Documents** (page 113)

**Product Specification**  
108-5390

**0.8mm Free Height Vertical Plugs, 0.8 [.031] Pitch** (Continued)



Recommended PC Board Layout

Dimensions			No. of Positions	Plating Type	Part Numbers		
A	B	C			Tube	Tube w/ Pickup Cap	Tape and Reel
15.20 .598	21.80 .858	20.20 .795	40	8µ" Au 30µ" Au	5179030-1 1-5179030-1	4-5179230-1 2-5179030-1	2-5177986-1 —
23.20 .913	29.80 1.173	28.20 1.110	60	8µ" Au 30µ" Au	5179030-2 1-5179030-2	4-5179230-2 2-5179030-2	2-5177986-2 —
31.20 1.228	37.80 1.488	36.20 1.425	80	8µ" Au 30µ" Au	5179030-3 1-5179030-3	4-5179230-3 2-5179030-3	2-5177986-3 —
39.20 1.543	45.80 1.803	44.20 1.740	100	8µ" Au 30µ" Au	5179030-4 1-5179030-4	4-5179230-4 2-5179030-4	2-5177986-4 —
47.20 1.858	53.80 2.118	52.20 2.055	120	8µ" Au 30µ" Au	5179030-5 1-5179030-5	4-5179230-5 2-5179030-5	2-5177986-5 —
55.20 2.173	61.80 2.433	60.20 2.370	140	8µ" Au 30µ" Au	5179030-6 1-5179030-6	4-5179230-6 2-5179030-6	2-5177986-6 —
63.20 2.488	69.80 2.748	68.20 2.685	160	8µ" Au 30µ" Au	5179030-8 1-5179030-8	4-5179230-8 2-5179030-8	2-5177986-8 —
71.20 2.803	77.80 3.063	76.20 3.000	180	8µ" Au 30µ" Au	5179030-9 1-5179030-9	4-5179230-9 2-5179030-9	2-5177986-9 —
79.20 3.118	85.80 3.378	84.20 3.315	200	8µ" Au 30µ" Au	1-5179030-0 2-5179030-0	5-5179230-0 3-5179030-0	3-5177986-0 —

Note: Part Numbers are RoHS compliant.

**8mm Plugs for 8 [.315], 12 [.472] and 16 [.630] Stacking Heights**

**Material and Finish**

**Housing** — High temperature thermo-plastic, natural color, 94V-0 rated

**Contacts** — Brass; duplex plated 0.00020 [.000008] min. gold on contact area, 0.00100 [.000039] min. tin on solder area, with entire contact underplated 0.00130 [.000051] min. nickel

**Related Product Data**

**Performance Characteristics** — page 71

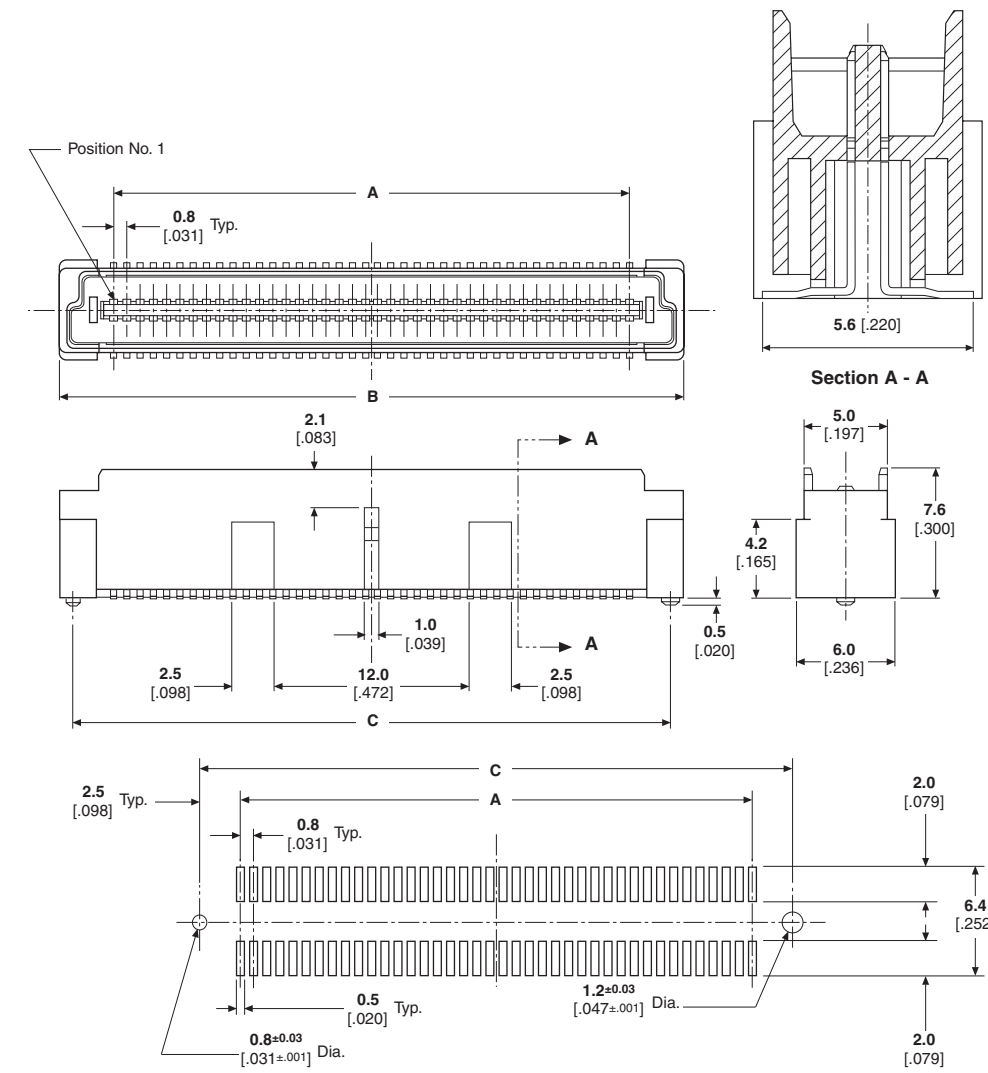
**Stacking Height Combinations** — page 72

**Mating Receptacles** — pages 78 thru 80

**Technical Documents** (page 113)

**Product Specification**  
108-5390

**0.8mm Free Height Vertical Plugs, 0.8 [.031] Pitch** (Continued)



**0.8mm Free Height (FH) Connectors**

Dimensions			No. of Positions	Plating Type	Part Numbers		
A	B	C			Tube	Tube w/ Pickup Cap	Tape and Reel
15.20 .598	21.80 .858	20.20 .795	40	8µ" Au 30µ" Au	5179031-1 6123002-1	6-5179230-1 —	3-5177986-1 6123001-1
23.20 .913	29.80 1.173	28.20 1.110	60	8µ" Au 30µ" Au	5179031-2 6123002-2	6-5179230-2 —	3-5177986-2 6123001-2
31.20 1.228	37.80 1.488	36.20 1.425	80	8µ" Au 30µ" Au	5179031-3 6123002-3	6-5179230-3 —	3-5177986-3 6123001-3
39.20 1.543	45.80 1.803	44.20 1.740	100	8µ" Au 30µ" Au	5179031-4 6123002-4	6-5179230-4 —	3-5177986-4 6123001-4
47.20 1.858	53.80 2.118	52.20 2.055	120	8µ" Au 30µ" Au	5179031-5 6123002-5	6-5179230-5 —	3-5177986-5 6123001-5
55.20 2.173	61.80 2.433	60.20 2.370	140	8µ" Au 30µ" Au	5179031-6 6123002-6	6-5179230-6 —	3-5177986-6 6123001-6
63.20 2.488	69.80 2.748	68.20 2.685	160	8µ" Au 30µ" Au	5179031-8 6123002-8	6-5179230-8 —	3-5177986-8 6123001-8
71.20 2.803	77.80 3.063	76.20 3.000	180	8µ" Au 30µ" Au	5179031-9 6123002-9	6-5179230-9 —	3-5177986-9 6123001-9
79.20 3.118	85.80 3.378	84.20 3.315	200	8µ" Au 30µ" Au	1-5179031-0 1-6123002-0	7-5179230-0 —	— —

Note: Part Numbers are RoHS compliant.



**0.8mm Free Height Vertical Plugs, 0.8 [.031] Pitch** (Continued)

**5mm Receptacles for 5 [.197], 6 [.236], 7 [.276] and 8 [.315] Stacking Heights**

**Material and Finish**

**Housing** — High temperature thermoplastic, natural color, 94V-0 rated

**Contacts** — Beryllium copper; duplex plated 0.00020 [.000008] min. gold on contact area, 0.00100 [.000039] min. tin on solder area, with entire contact underplated 0.00130 [.000051] min. nickel

**Related Product Data**

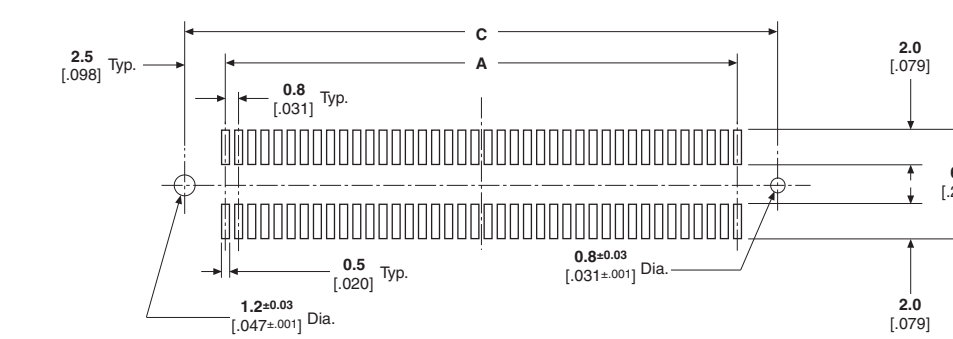
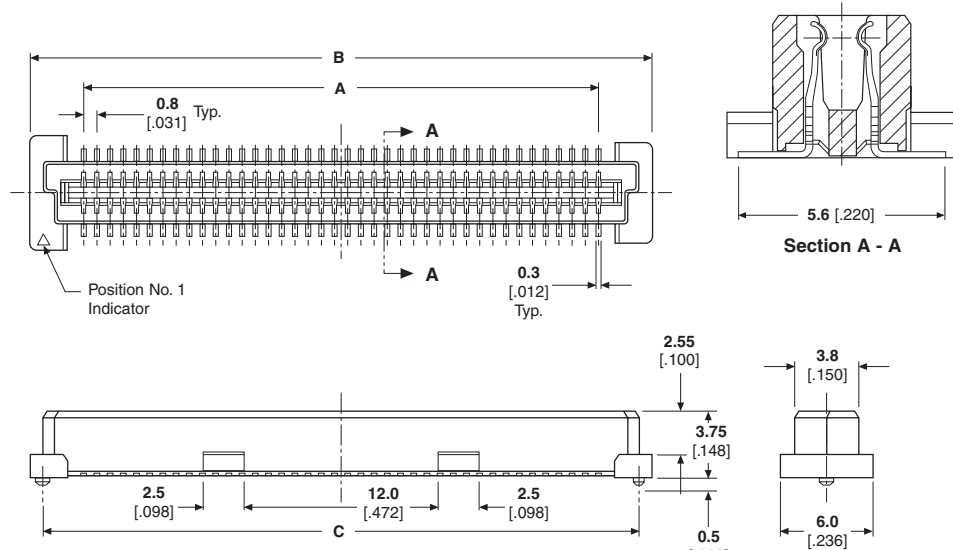
**Performance Characteristics** — page 71

**Stacking Height Combinations** — page 72

**Mating Plugs** — pages 74 thru 77, and 81

**Technical Documents** (page 113)

**Product Specification**  
108-5390



Dimensions			No. of Positions	Plating Type	Part Numbers		
A	B	C			Tube	Tube w/ Pickup Cap	Tape and Reel
15.20 .598	21.80 .858	20.20 .795	40	8µ" Au 30µ" Au	5177983-1 6123000-1	5179229-1 —	5177985-1 5353999-1
23.20 .913	29.80 1.173	28.20 1.110	60	8µ" Au 30µ" Au	5177983-2 6123000-2	5179229-2 —	5177985-2 5353999-2
31.20 1.228	37.80 1.488	36.20 1.425	80	8µ" Au 30µ" Au	5177983-3 6123000-3	5179229-3 —	5177985-3 5353999-3
39.20 1.543	45.80 1.803	44.20 1.740	100	8µ" Au 30µ" Au	5177983-4 6123000-4	5179229-4 —	5177985-4 5353999-4
47.20 1.858	53.80 2.118	52.20 2.055	120	8µ" Au 30µ" Au	5177983-5 6123000-5	5179229-5 —	5177985-5 5353999-5
55.20 2.173	61.80 2.433	60.20 2.370	140	8µ" Au 30µ" Au	5177983-6 6123000-6	5179229-6 —	5177985-6 5353999-6
63.20 2.488	69.80 2.748	68.20 2.685	160	8µ" Au 30µ" Au	5177983-8 6123000-8	5179229-8 —	5177985-8 5353999-8
71.20 2.803	77.80 3.063	76.20 3.000	180	8µ" Au 30µ" Au	5177983-9 6123000-9	5179229-9 —	— —
79.20 3.118	85.80 3.378	84.20 3.315	200	8µ" Au 30µ" Au	1-5177983-0 1-6123000-0	1-5179229-0 —	— —

Note: Part Numbers are RoHS compliant.

**9mm Receptacles for 9 [.354], 10 [.394], 11 [.433] and 12 [.472] Stacking Heights**

**Material and Finish**

**Housing** — High temperature thermo-plastic, natural color, 94V-0 rated

**Contacts** — Beryllium copper; duplex plated 0.00020 [.000008] min. gold on contact area, 0.00100 [.000039] min. tin on solder area, with entire contact underplated 0.00130 [.000051] min. nickel

**Related Product Data**

**Performance Characteristics** — page 71

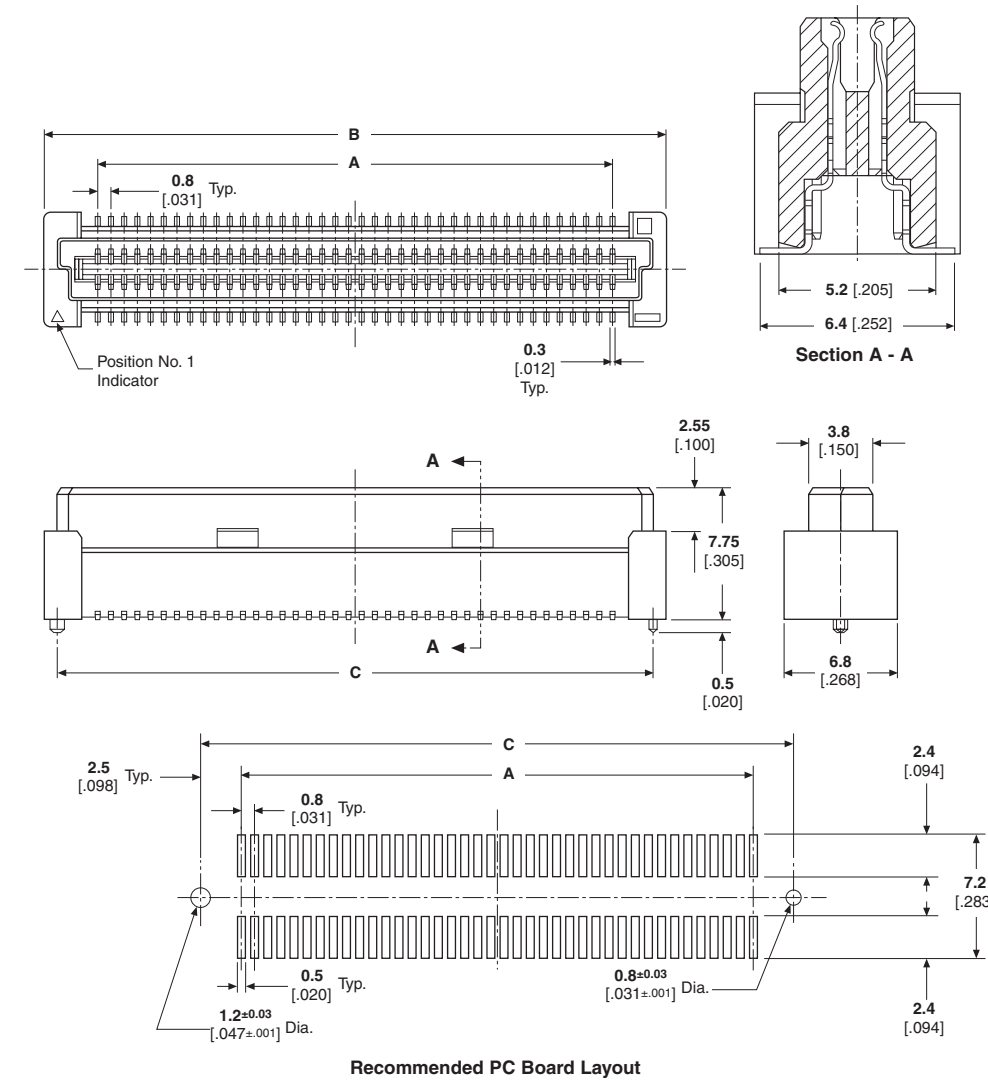
**Stacking Height Combinations** — page 72

**Mating Plugs** — pages 74 thru 77, and 81

**Technical Documents** (page 113)

**Product Specification**  
108-5390

**0.8mm Free Height Vertical Plugs, 0.8 [.031] Pitch** (Continued)



0.8mm Free Height (FH) Connectors

Dimensions			No. of Positions	Plating Type	Part Numbers		
A	B	C			Tube	Tube w/ Pickup Cap	Tape and Reel
15.20 .598	21.80 .858	20.20 .795	40	8µ" Au 30µ" Au	5-5179009-1 5084613-1	— —	5-5179180-1 7-5179180-1
23.20 .913	29.80 1.173	28.20 1.110	60	8µ" Au 30µ" Au	5-5179009-2 5084613-2	5-5179232-2 —	5-5179180-2 7-5179180-2
31.20 1.228	37.80 1.488	36.20 1.425	80	8µ" Au 30µ" Au	5-5179009-3 5084613-3	5-5179232-3 —	5-5179180-3 7-5179180-3
39.20 1.543	45.80 1.803	44.20 1.740	100	8µ" Au 30µ" Au	5-5179009-4 5084613-4	5-5179232-4 —	5-5179180-4 7-5179180-4
47.20 1.858	53.80 2.118	52.20 2.055	120	8µ" Au 30µ" Au	5-5179009-5 5084613-5	5-5179232-5 —	5-5179180-5 7-5179180-5
55.20 2.173	61.80 2.433	60.20 2.370	140	8µ" Au 30µ" Au	5-5179009-6 5084613-6	5-5179232-6 —	5-5179180-6 7-5179180-6
63.20 2.488	69.80 2.748	68.20 2.685	160	8µ" Au 30µ" Au	5-5179009-8 5084613-8	5-5179232-8 —	— —
71.20 2.803	77.80 3.063	76.20 3.000	180	8µ" Au 30µ" Au	5-5179009-9 5084613-9	5-5179232-9 —	— —
79.20 3.118	85.80 3.378	84.20 3.315	200	8µ" Au 30µ" Au	6-5179009-0 1-5084613-0	6-5179232-0 —	— —

Note: Part Numbers are RoHS compliant.

**13mm Receptacles for 13 [.512], 14 [.551], 15 [.591] and 16 [.630] Stacking Heights**

**Material and Finish**

**Housing** — High temperature thermo-plastic, natural color, 94V-0 rated

**Contacts** — Beryllium copper; duplex plated 0.00020 [.000008] min. gold on contact area, 0.00100 [.000039] min. tin on solder area, with entire contact underplated 0.00130 [.000051] min. nickel

**Related Product Data**

**Performance Characteristics** — page 71

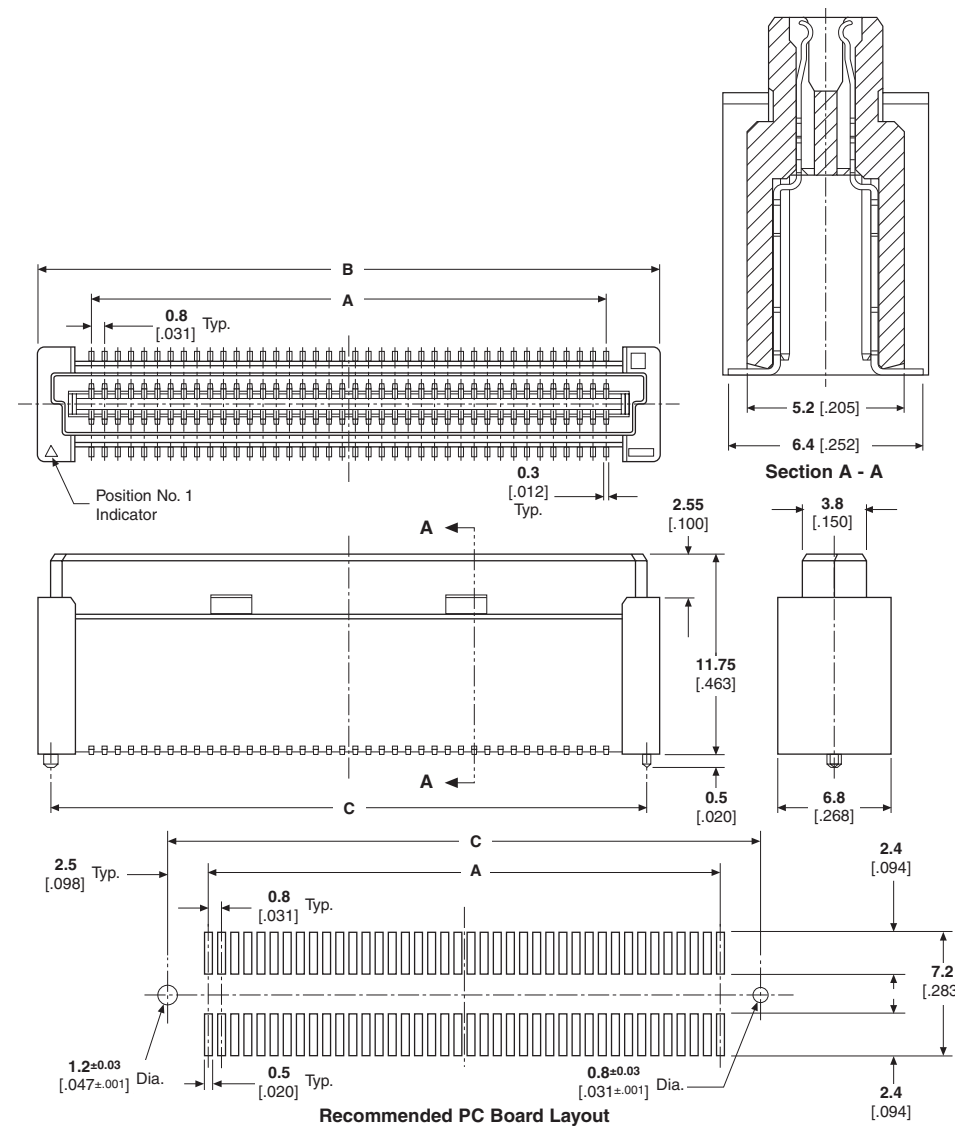
**Stacking Height Combinations** — page 72

**Mating Plugs** — pages 74 thru 77, and 81

**Technical Documents** (page 113)

**Product Specification**  
108-5390

**0.8mm Free Height Vertical Plugs, 0.8 [.031] Pitch** (Continued)



Recommended PC Board Layout

Dimensions			No. of Positions	Plating Type	Part Numbers		
A	B	C			Tube	Tube w/ Pickup Cap	Tape and Reel
15.20 .598	21.80 .858	20.20 .795	40	8µ" Au 30µ" Au	5-5179010-1 5-6123212-1	5-5179233-1 —	5084616-1 5084618-1
23.20 .913	29.80 1.173	28.20 1.110	60	8µ" Au 30µ" Au	5-5179010-2 5-6123212-2	5-5179233-2 —	5084616-2 5084618-2
31.20 1.228	37.80 1.488	36.20 1.425	80	8µ" Au 30µ" Au	5-5179010-3 5-6123212-3	5-5179233-3 —	5084616-3 5084618-3
39.20 1.543	45.80 1.803	44.20 1.740	100	8µ" Au 30µ" Au	5-5179010-4 5-6123212-4	5-5179233-4 —	5084616-4 5084618-4
47.20 1.858	53.80 2.118	52.20 2.055	120	8µ" Au 30µ" Au	5-5179010-5 5-6123212-5	5-5179233-5 —	5084616-5 5084618-5
55.20 2.173	61.80 2.433	60.20 2.370	140	8µ" Au 30µ" Au	5-5179010-6 5-6123212-6	5-5179233-6 —	5084616-6 5084618-6
63.20 2.488	69.80 2.748	68.20 2.685	160	8µ" Au 30µ" Au	5-5179010-8 5-6123212-8	5-5179233-8 —	5084616-8 5084618-8
71.20 2.803	77.80 3.063	76.20 3.000	180	8µ" Au 30µ" Au	5-5179010-9 5-6123212-9	5-5179233-9 —	5084616-9 5084618-9
79.20 3.118	85.80 3.378	84.20 3.315	200	8µ" Au 30µ" Au	6-5179010-0 6-6123212-0	6-5179233-0 7-6123212-0	— —

Note: Part Numbers are RoHS compliant.

**8mm Plugs for 5 [.197],  
9 [.354] and 13 [.512]  
Stacking Heights**

**Material and Finish**

**Housing** — High temperature thermo-plastic, natural color, 94V-0 rated

**Contacts** — Brass; duplex plated 0.00020 [.000008] min. gold on contact area, 0.00100 [.000039] min. tin on solder area, with entire contact underplated 0.00130 [.000051] min. nickel

**Related Product Data**

**Performance Characteristics** — page 71

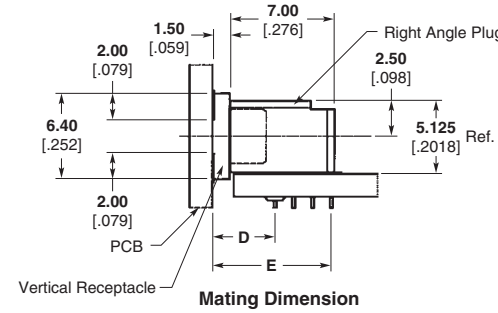
**Stacking Height Combinations** — page 72

**Mating Receptacles** — pages 78 thru 80

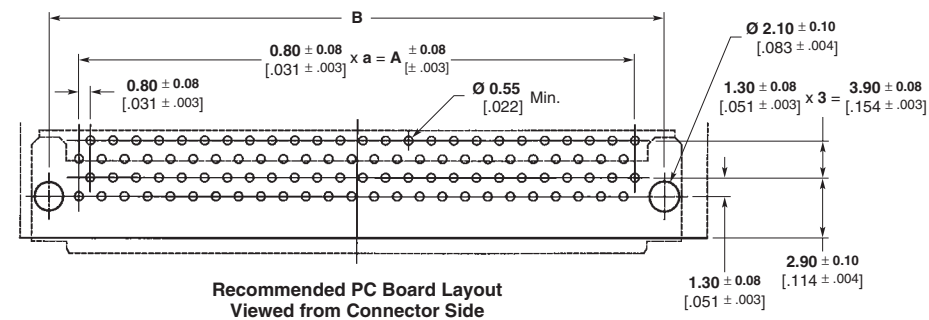
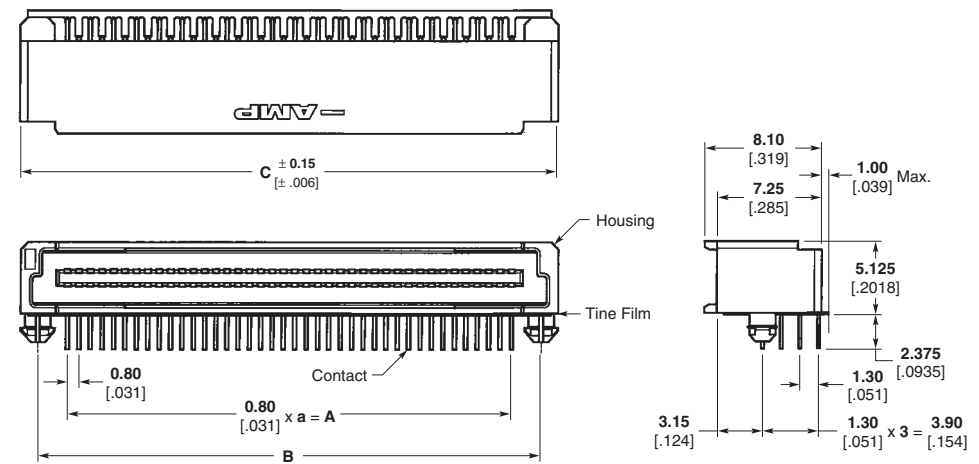
**Technical Documents** (page 113)

**Product Specification**  
108-5390

**0.8mm Free Height Right Angle Plugs, 0.8 [.031] Pitch**



Receptacle Height	Dimension	
	D	E
5.00 .197	4.40 .173	8.30 .327
9.00 .354	8.40 .331	12.30 .484
13.00 .512	12.40 .488	16.30 .642



Dimension				No. of Positions	Part Number
A	B	C	a		
23.20 .913	27.40 1.079	29.80 1.173	29	60	316229-2
31.20 1.228	35.40 1.394	37.80 1.488	39	80	316229-3

**Note:** Part Numbers are RoHS compliant.

**0.8mm Free Height (FH)  
Connectors**

