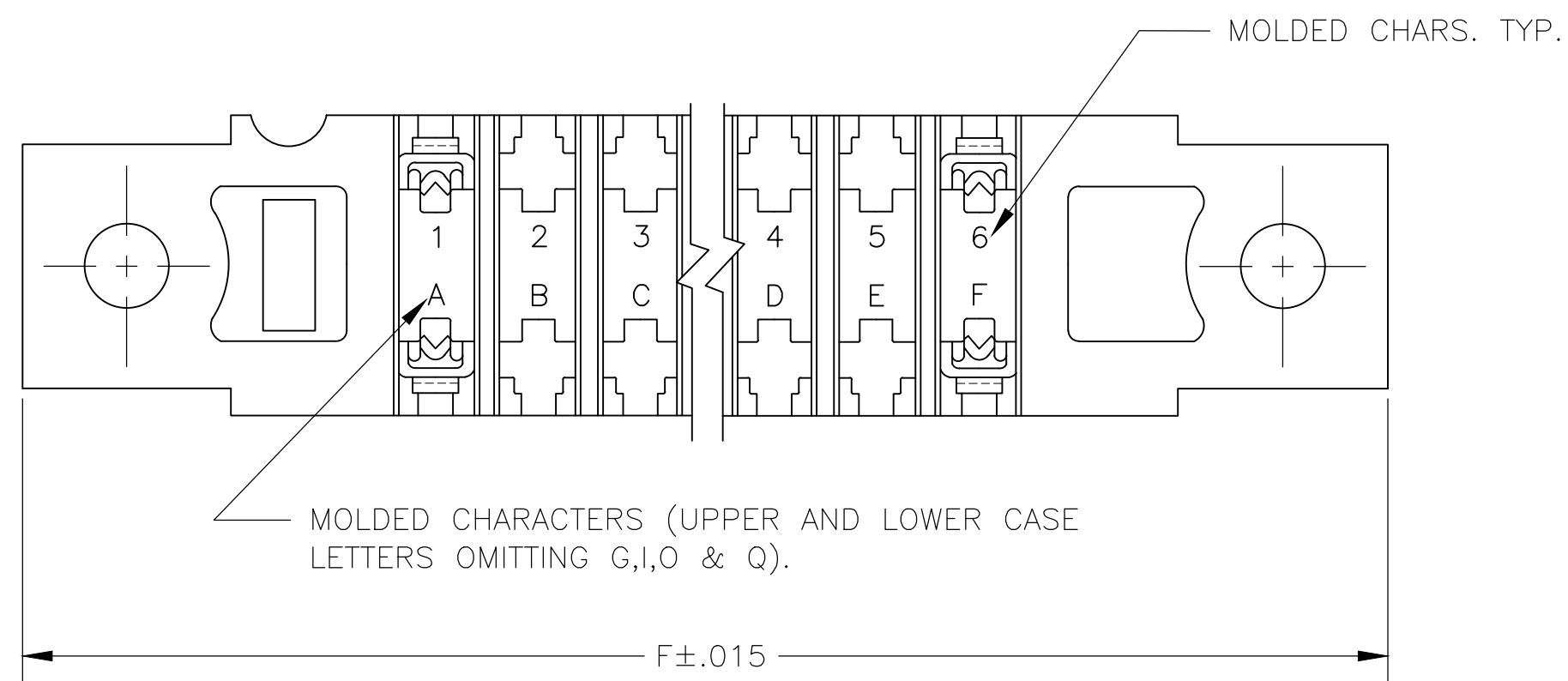
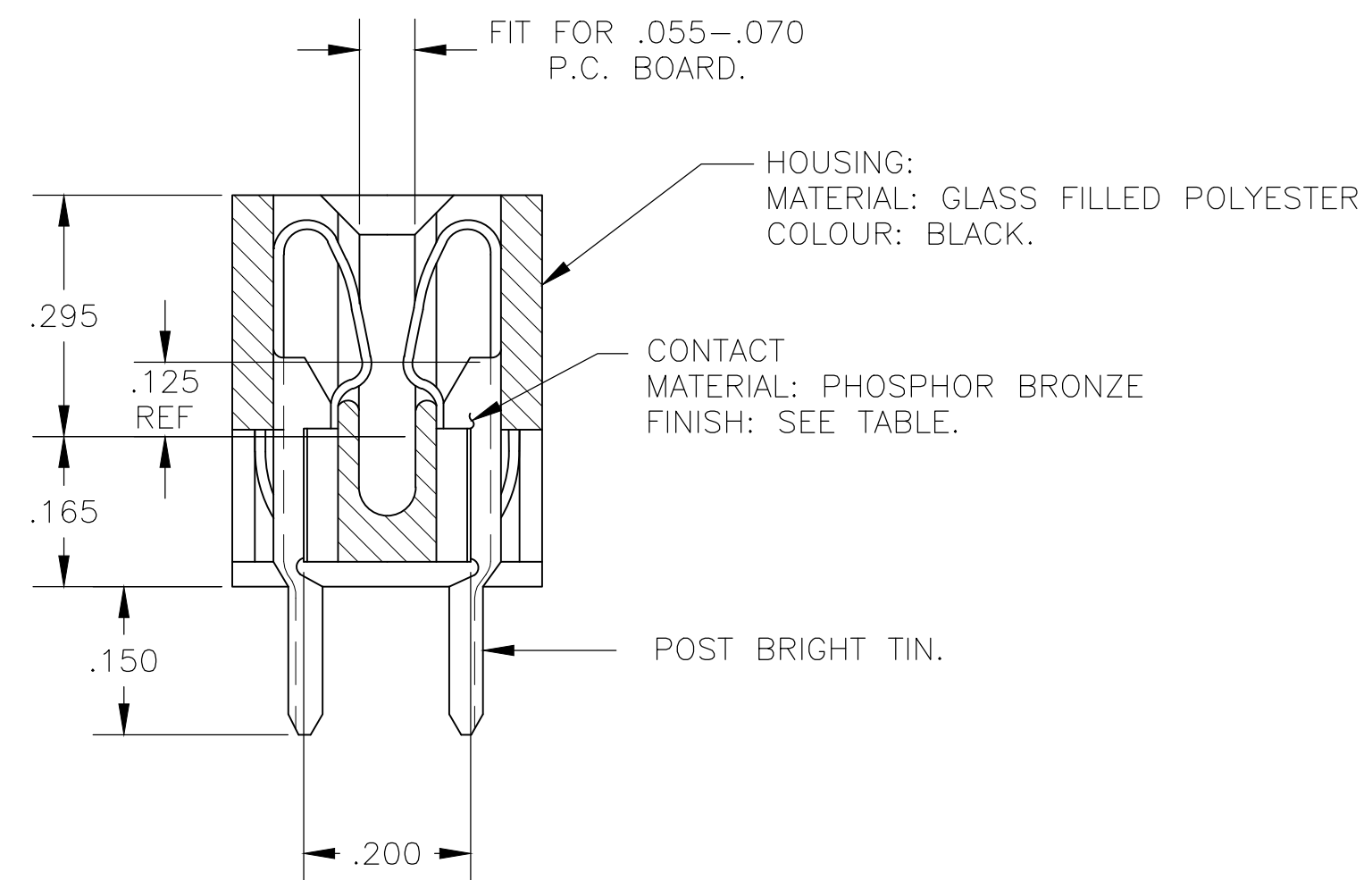
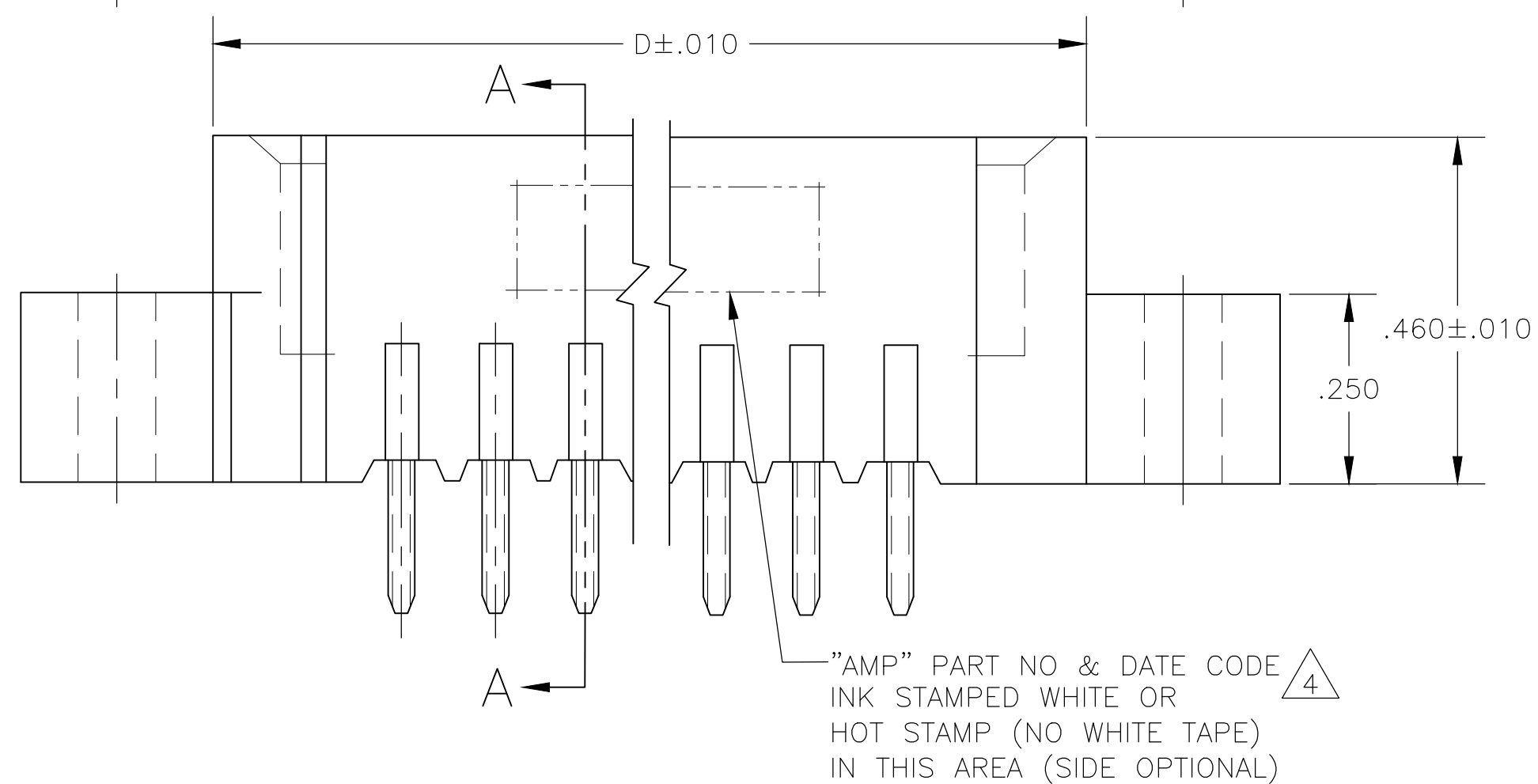
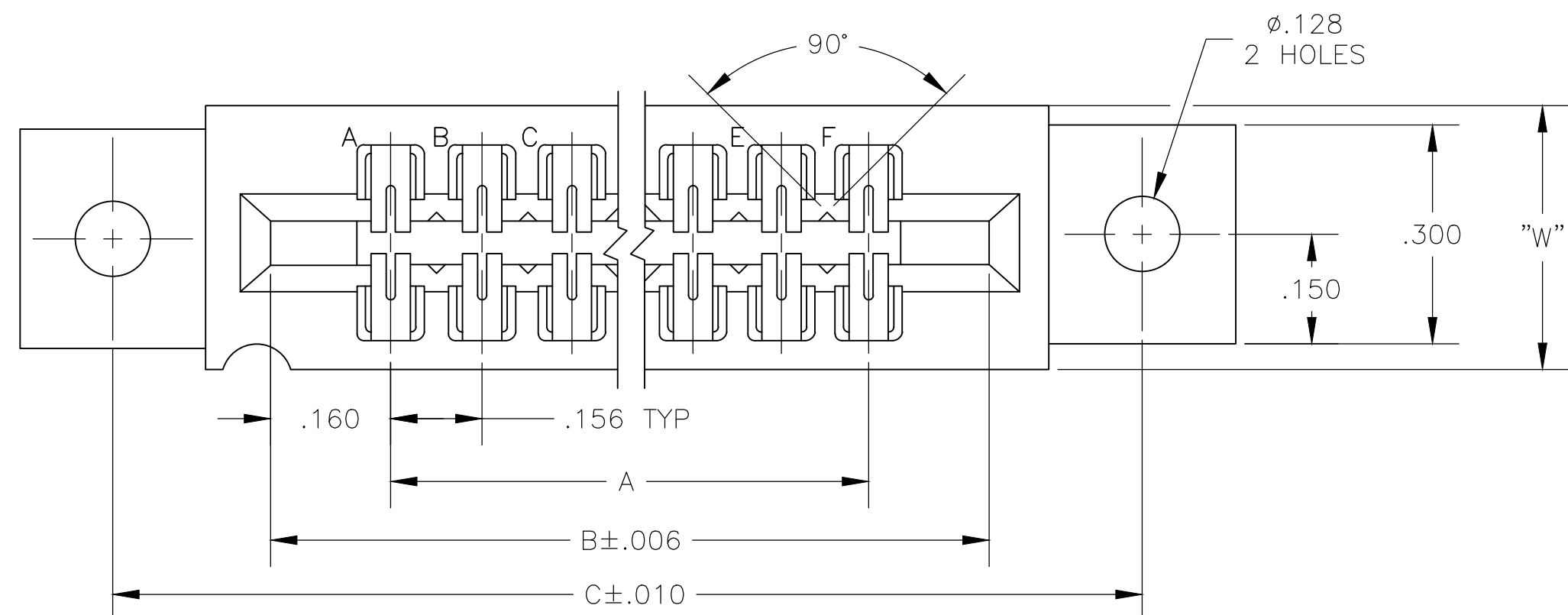


THIS DRAWING IS UNPUBLISHED. RELEASED FOR PUBLICATION  
 © COPYRIGHT - By - ALL RIGHTS RESERVED.

LOC		DIST		REVISIONS			
P	LTR	DESCRIPTION		DATE	DWN	APVD	
AD	00	M4	REVISED PER ECO-20-000170	21MAY2020	KR	JO	



SECTION A-A

THIS DRAWING IS A CONTROLLED DOCUMENT.		DWN	19MAR75	<b>TE</b> TE Connectivity	
DIMENSIONS: INCHES		CHK	20MAR75		
TOLERANCES UNLESS OTHERWISE SPECIFIED:		APVD	20MAR75	NAME	
0 PLC $\pm$ -		PRODUCT SPEC		HOUSING ASSY, LOW PROFILE, EDGE CONNECTOR, FLOW SOLDER, FOR .052 DIA. HOLE,	
1 PLC $\pm$ -		APPLICATION SPEC		SIZE	RESTRICTED TO
2 PLC $\pm$ -		WEIGHT		A2	—
3 PLC $\pm$ .005		MATERIAL		CAGE CODE	DRAWING NO
4 PLC $\pm$ -		FINISH		00779	C=530655
ANGLES $\pm$ -		SEE CALL-OUT		SCALE	SHEET
MATERIAL		SEE CALL-OUT		4:1	1 OF 2
SEE CALL-OUT		SEE CALL-OUT		CUSTOMER DRAWING	REV M4



# Mouser Electronics

Authorized Distributor

Click to View Pricing, Inventory, Delivery & Lifecycle Information:

[TE Connectivity:](#)

[2-530655-1](#)