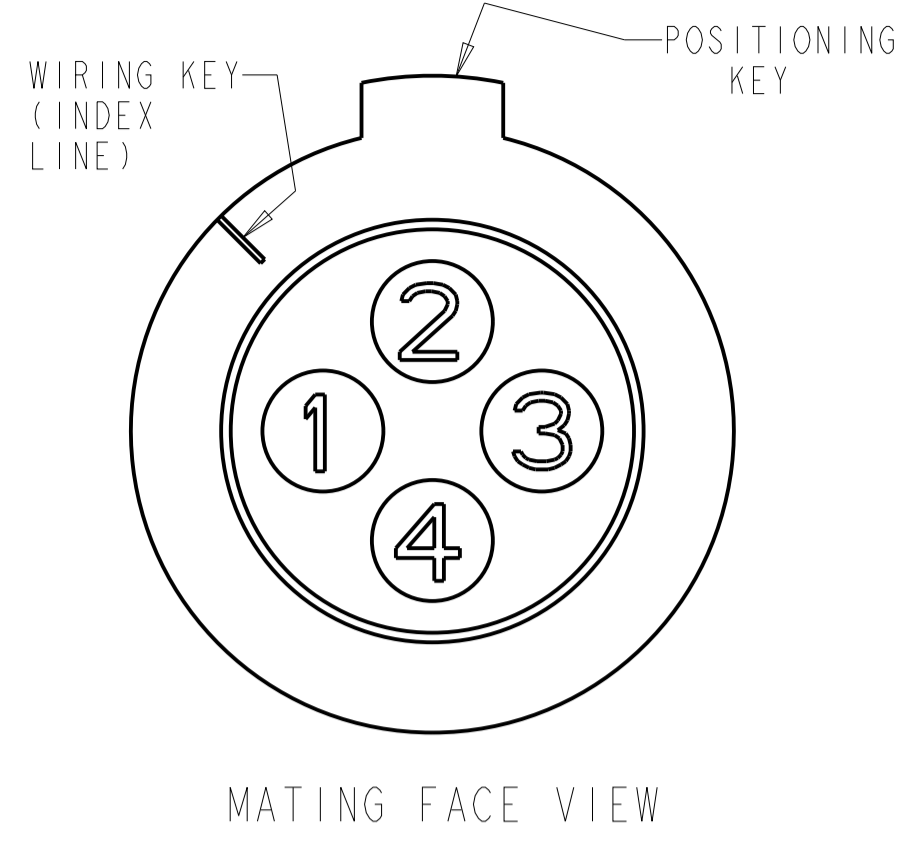
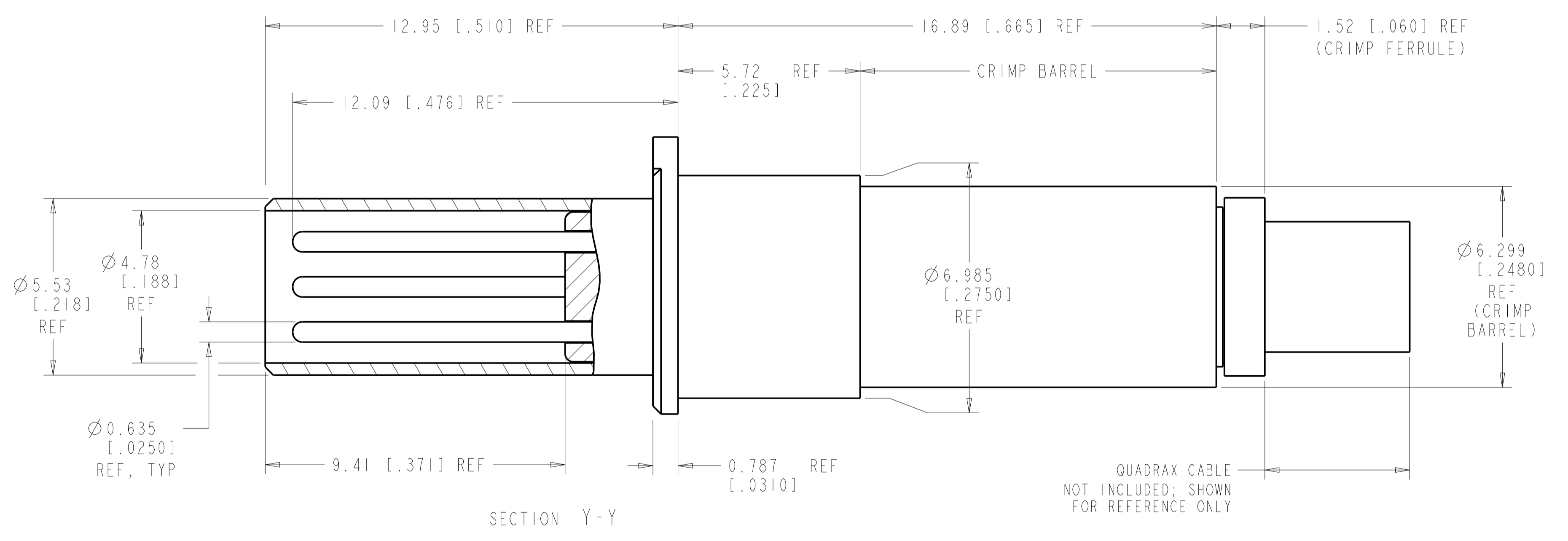
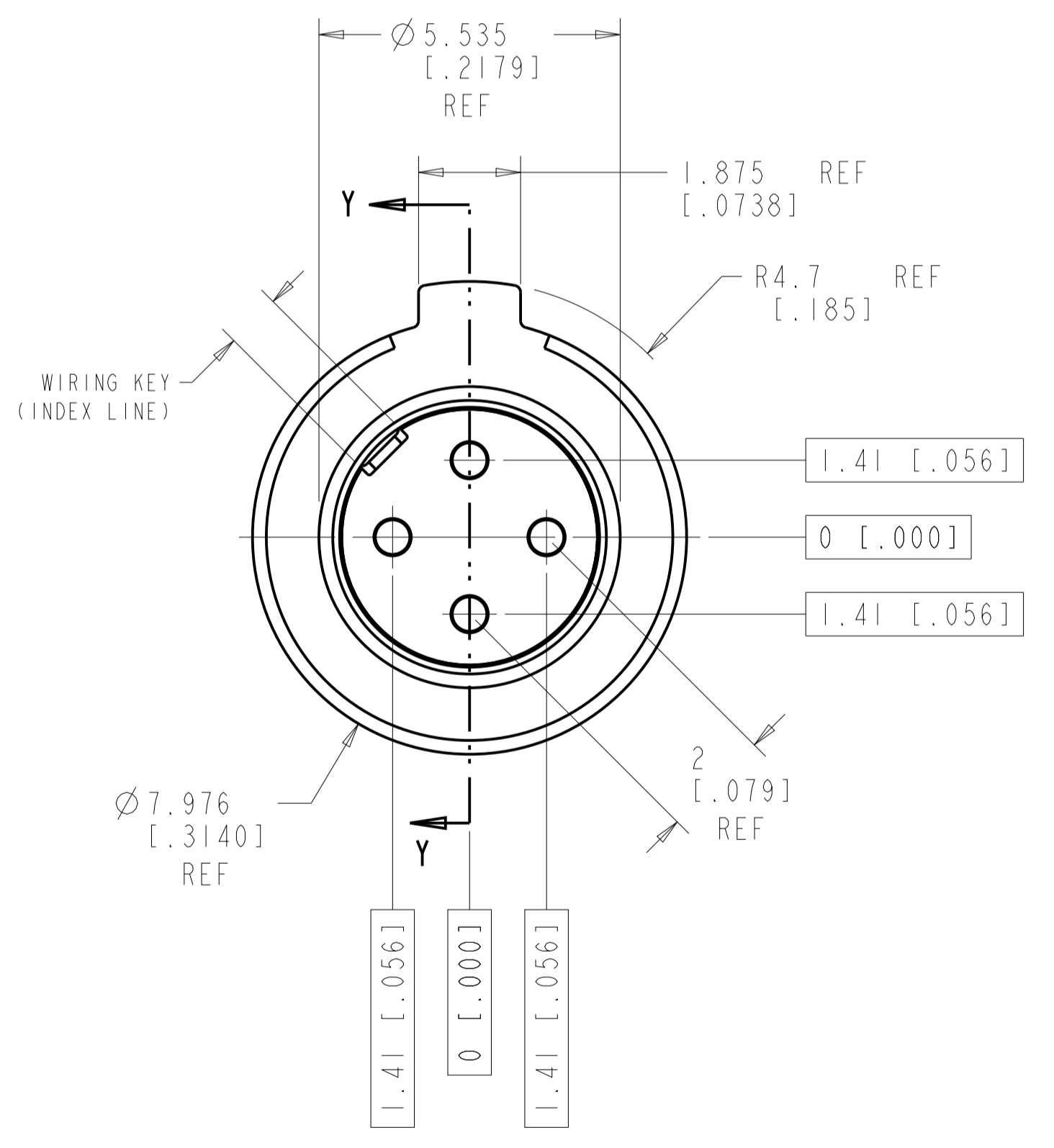
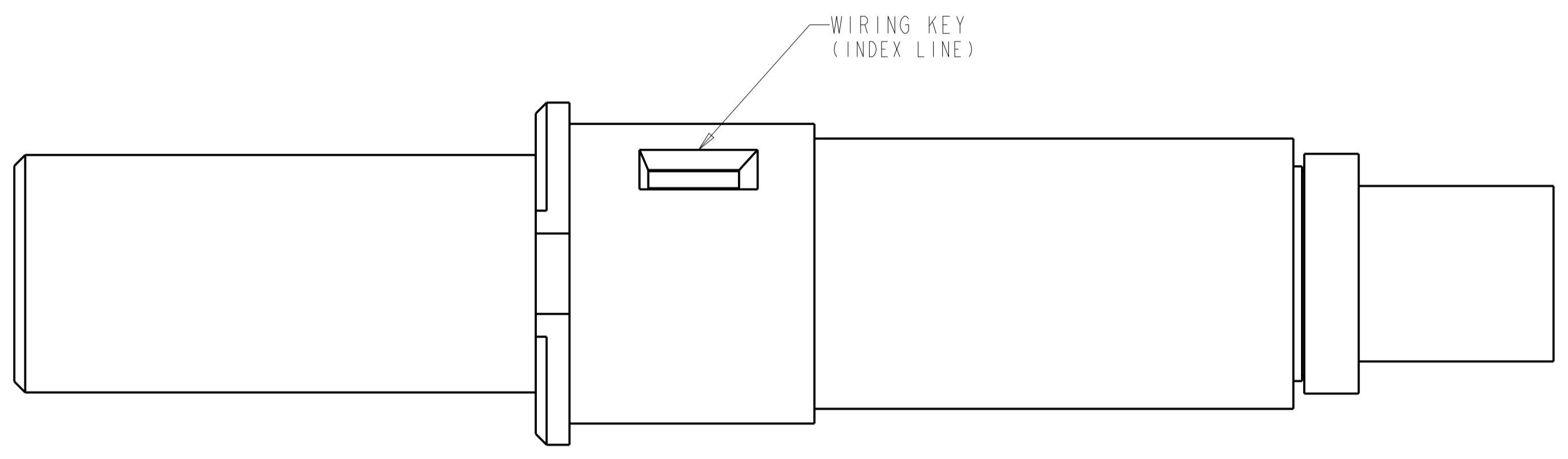
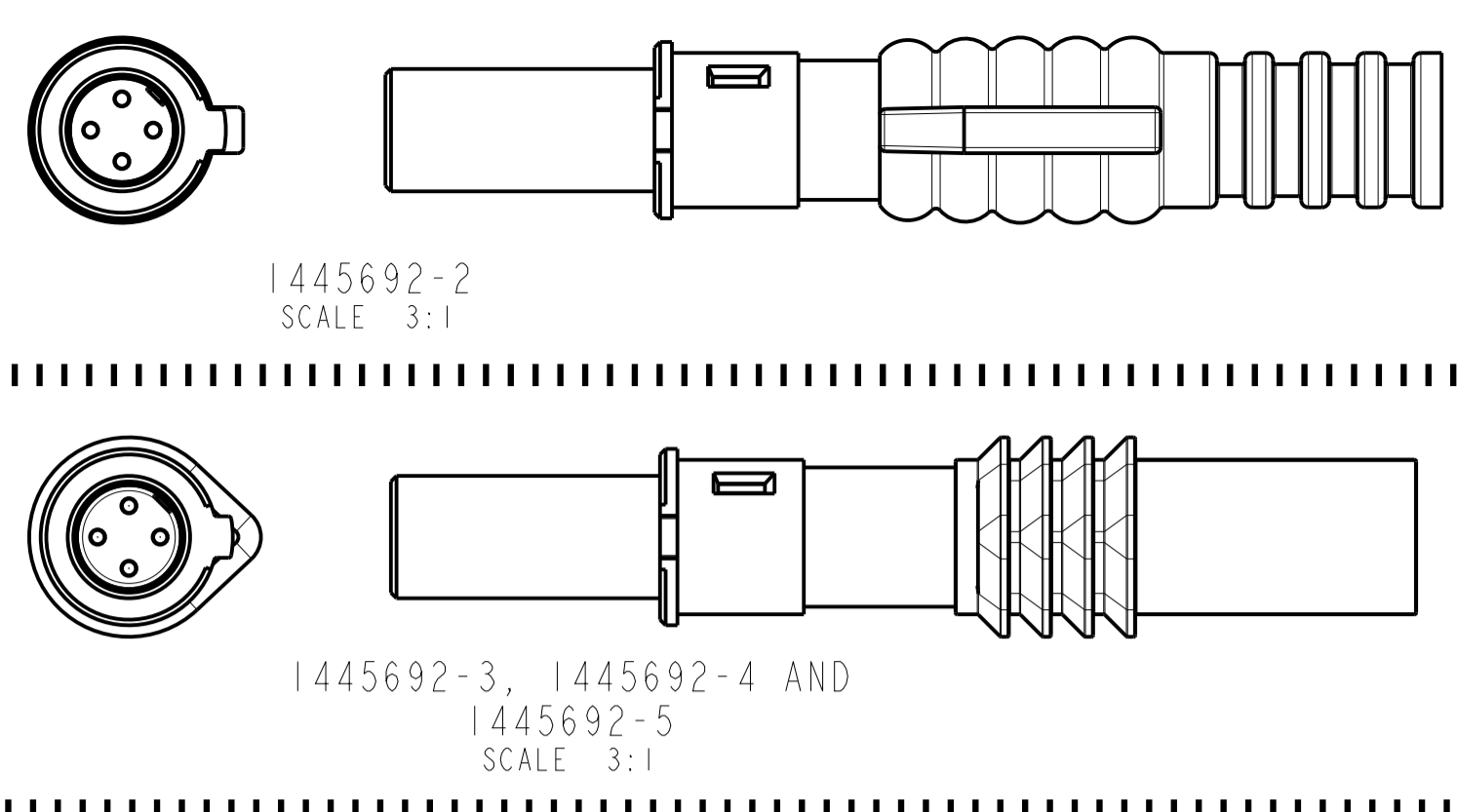


REVISIONS				
P.	LTH	DESCRIPTION	DATE	APVD
H2	REV PER ECO	14-011279	10-7-14	CT DM



CONTACT CAVITY NUMBERING
STANDARD CAVITY NUMBER ASSIGNMENT



- COMPONENTS ARE PACKAGED IN KIT FORM. CABLE MUST BE PURCHASED SEPARATELY.
 - ASSEMBLY PER APPLICATION SPECIFICATION 114-13123.
 - USE INSERTION-EXTRACTION TOOL 1738894-1.
- △ TENSOLITE NF24Q100 OR EQUIVALENT
 - △ DRAKA F4704-4 OR EQUIVALENT

△	BACC47GA2	-	SAME AS -4 EXCEPT WITHOUT WIRE SEAL	1445692-8
△	-	-	AS SHOWN WITHOUT WIRE SEAL	1445692-6
△	-	BLUE	AS SHOWN WITH WIRE SEAL	1445692-5
△	BACC47GA1	BLUE	SAME AS -1 EXCEPT WITH WIRE SEAL	1445692-4
△	---	BLUE	SAME AS -1 EXCEPT WITH WIRE SEAL	1445692-3
△	---	RED	SAME AS -1 EXCEPT WITH WIRE SEAL	1445692-2
△	---	--	AS SHOWN; WITHOUT WIRE SEAL	1445692-1
RECOMMENDED CABLE	CUSTOMER PART NUMBER	SEAL COLOR	DESCRIPTION	PART NO.

THIS DRAWING IS A CONTROLLED DOCUMENT.

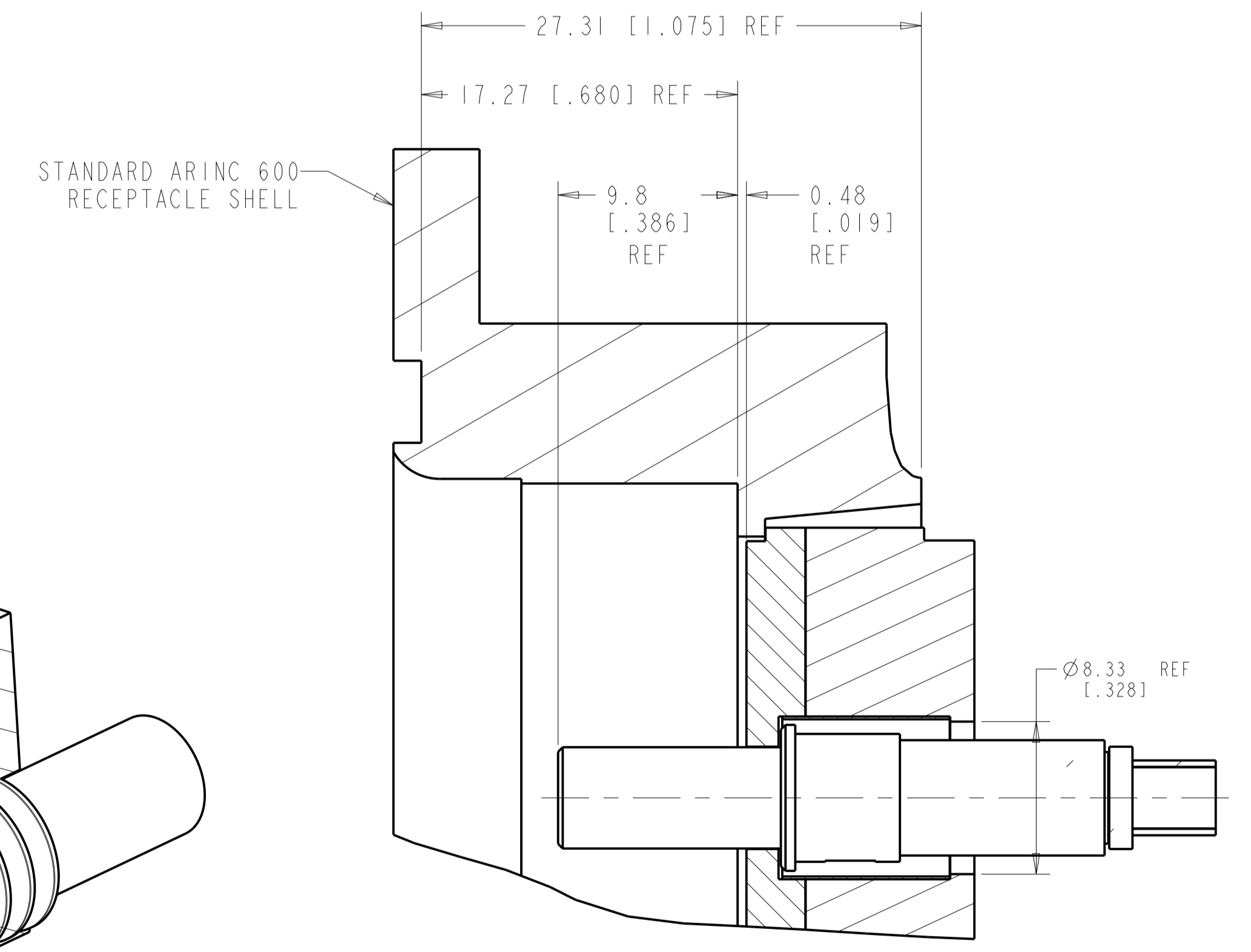
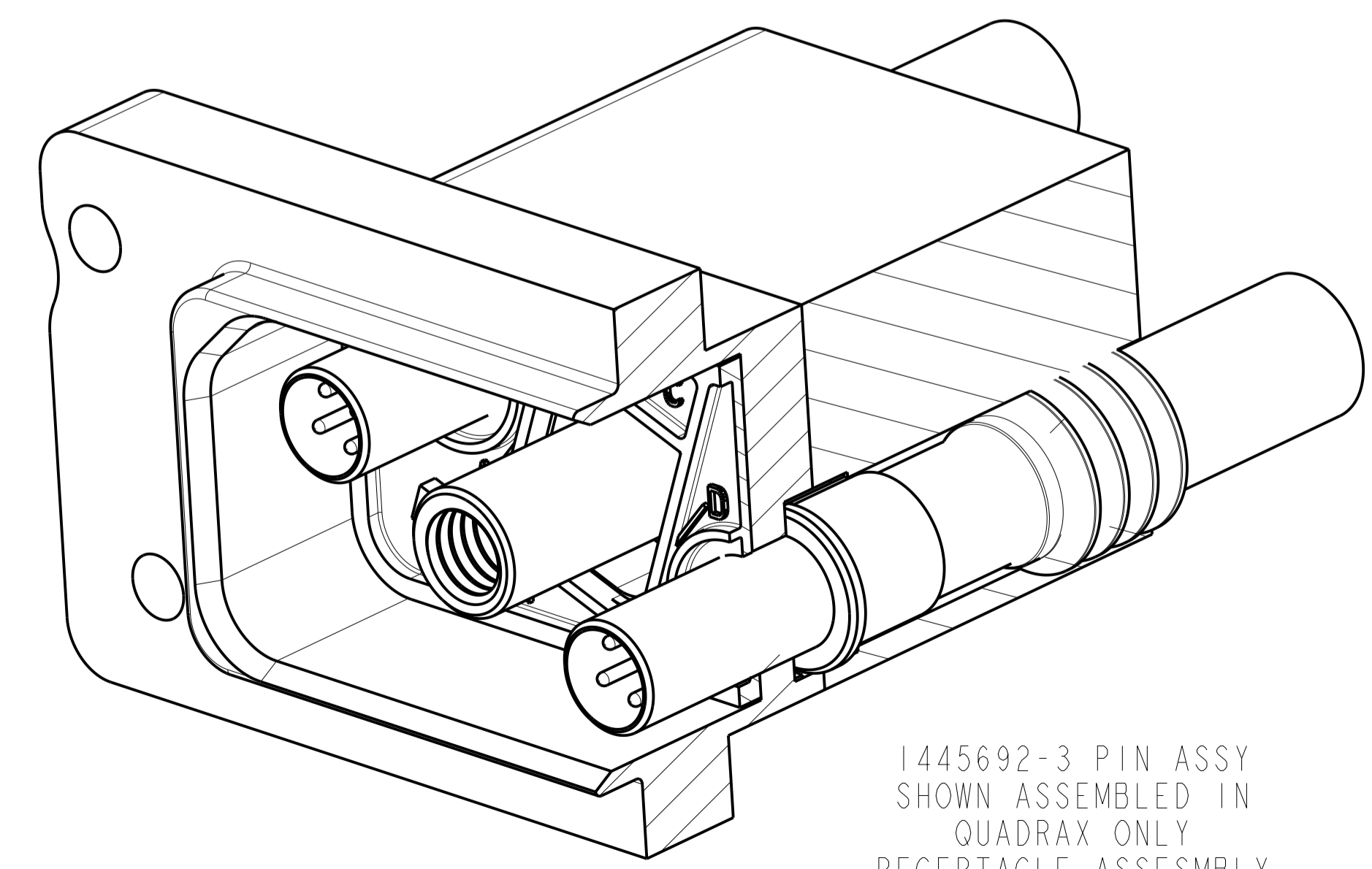
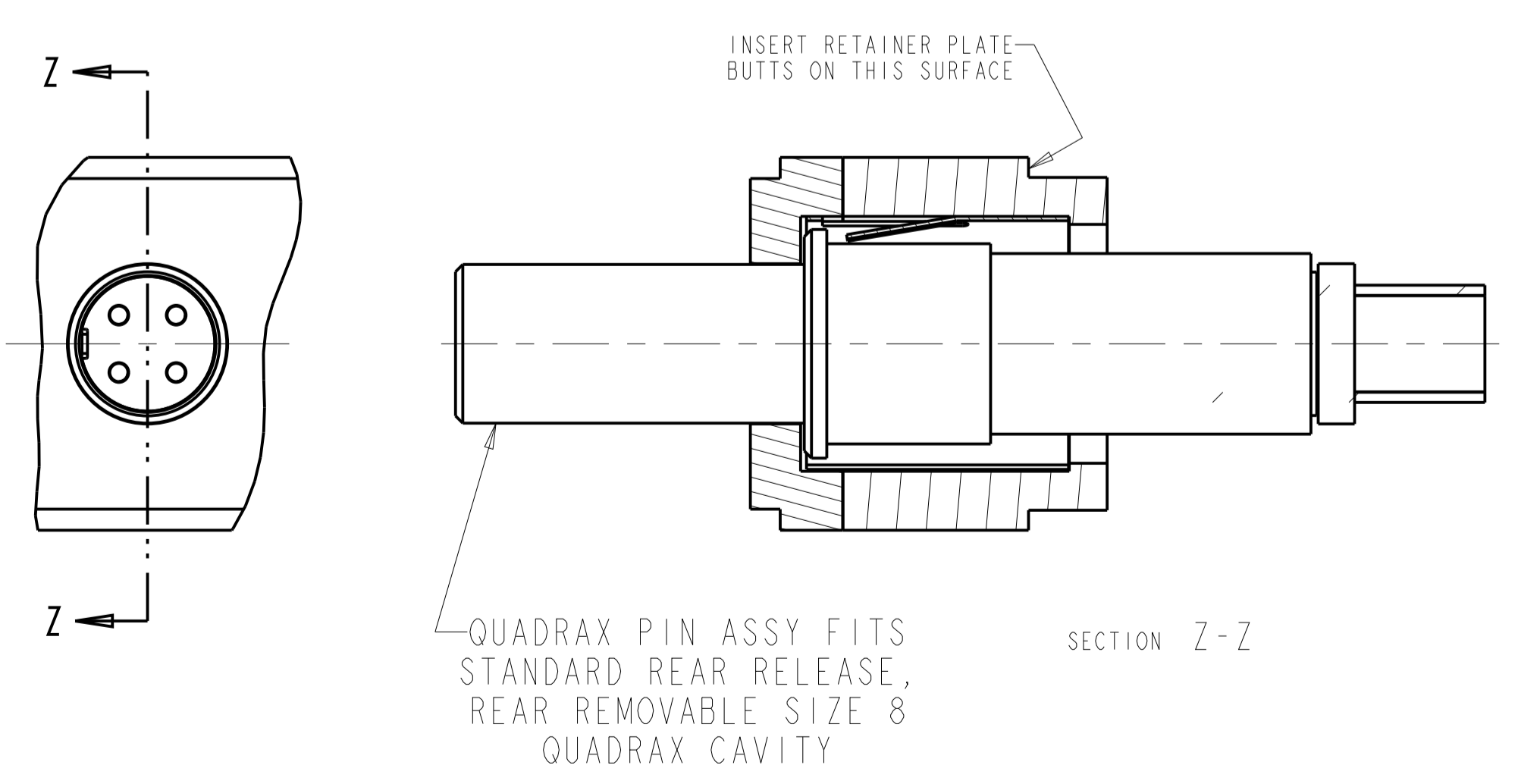
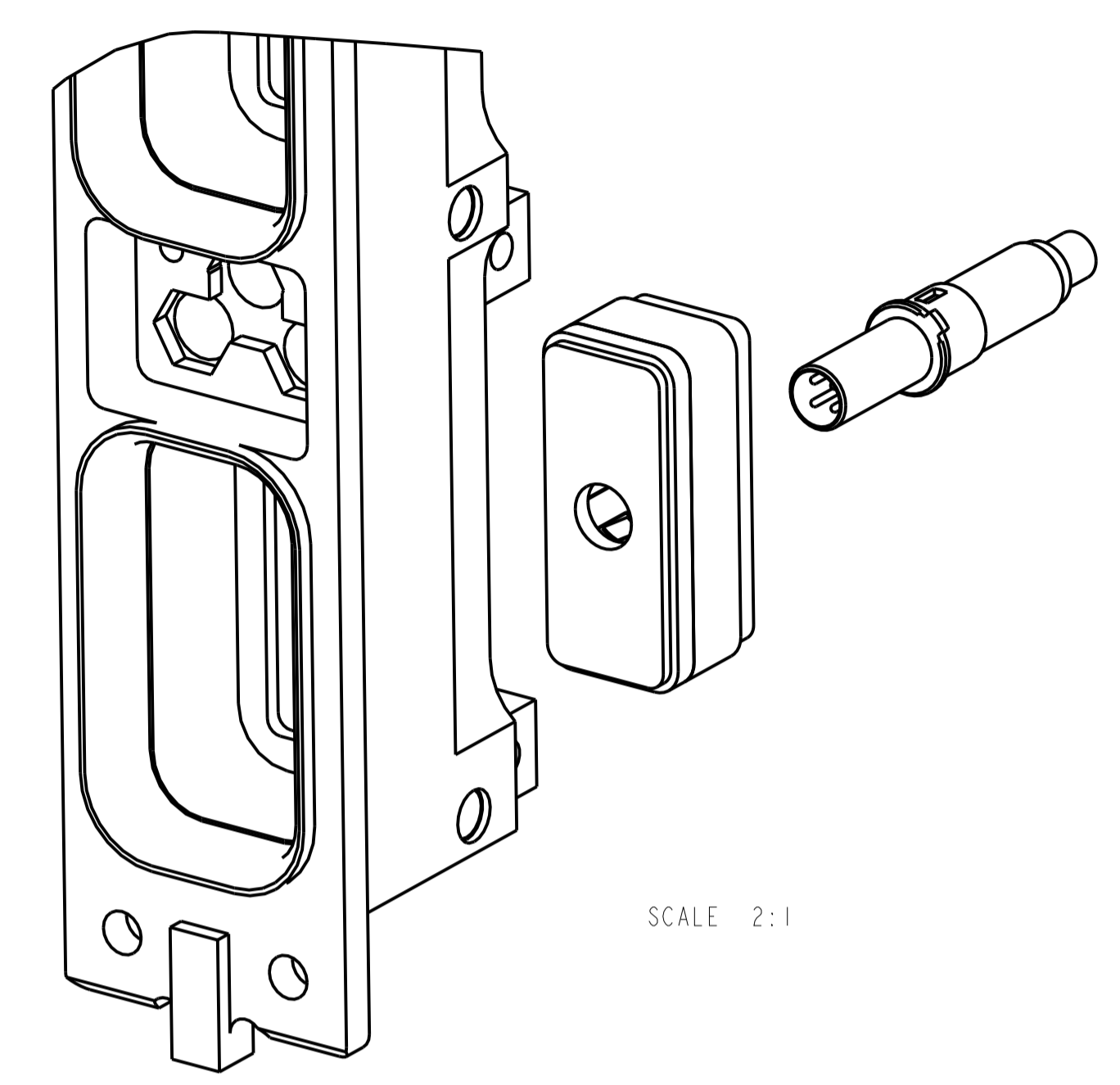
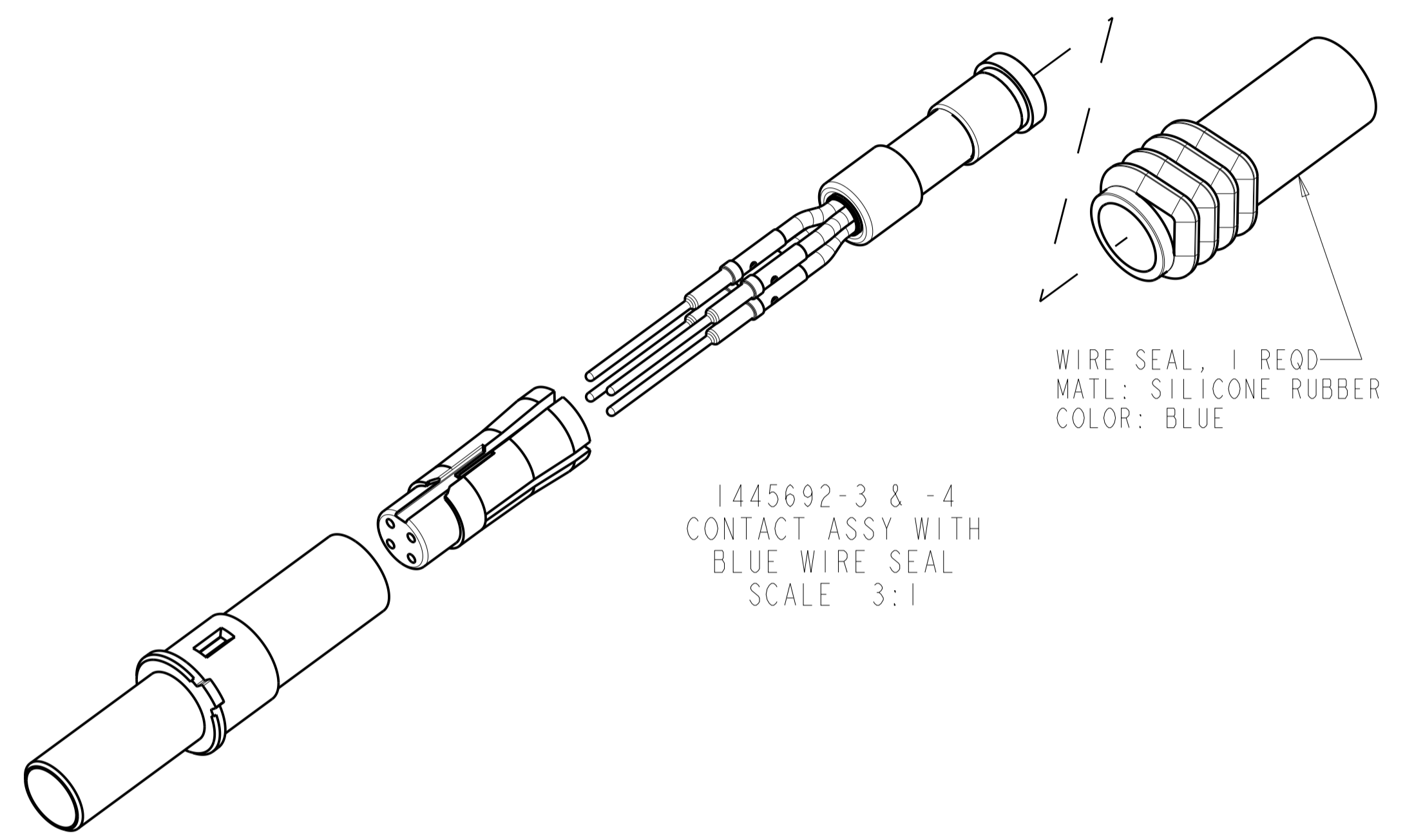
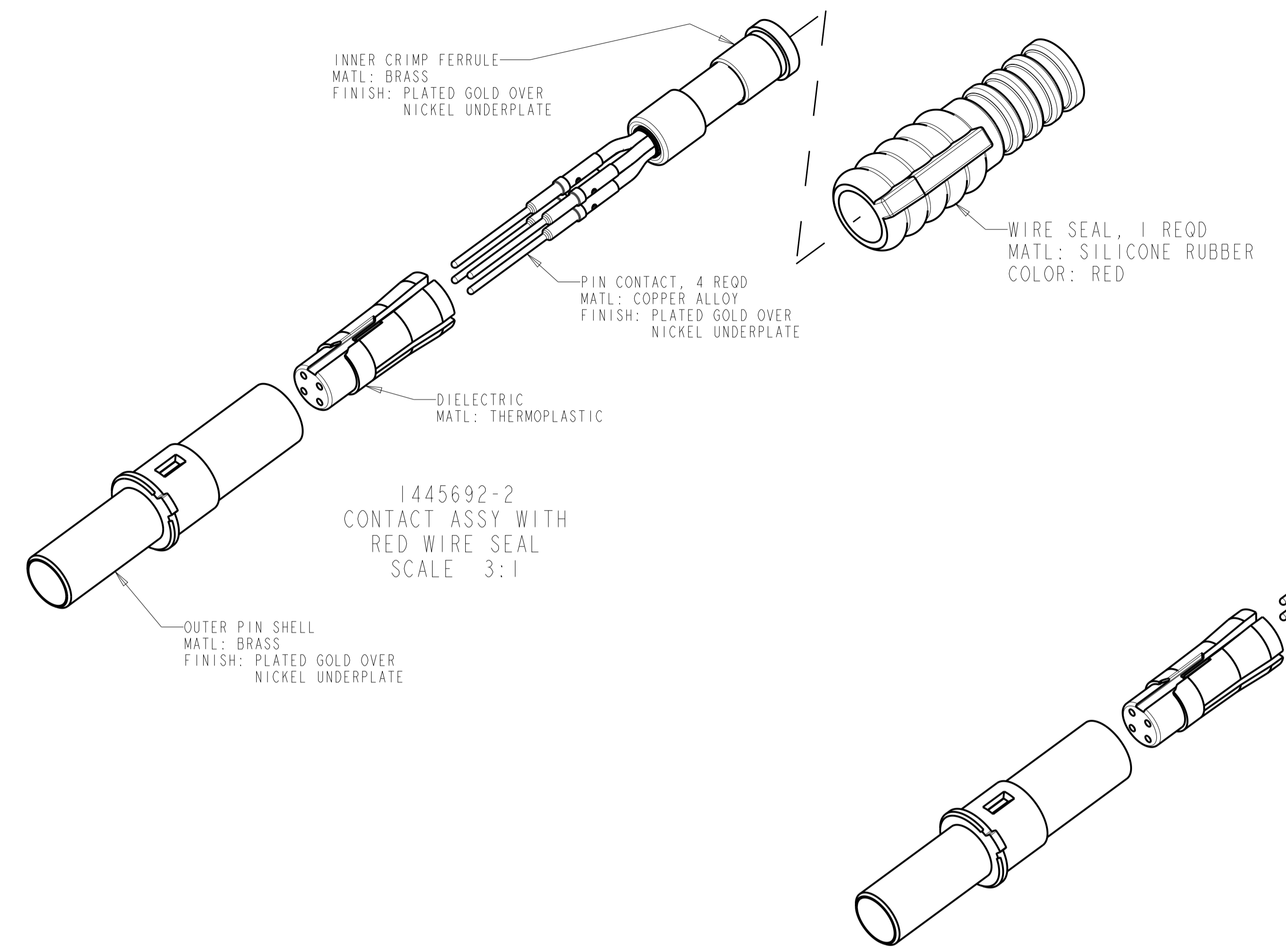
OWN: Brent D. Lehm 23 JUNE 2004
CHK: W.H. BERNHART 23 JUNE 2004
APVD: W.H. BERNHART 23 JUNE 2004

TE Connectivity

ASSEMBLY, PIN, QUADRAx, 2mm SQ, AIRCRAFT DATA NETWORK, RR/RR, WITH PIN CONTACTS

SIZE: A1 CAGE CODE: 1445692 SCALE: 10:1 SHEET: 1 OF 2 REV: H2

REVISIONS				
P.	LTN.	DESCRIPTION	DATE	APPD.
-	-	SEE SHEET 1	-	-



QUADRAX PIN ASSY SHOWN INSTALLED IN
STANDARD ARINC 600, SIZE 1 INSERT
WITH REAR RELEASE, REAR REMOVABLE
SIZE 8 QUADRAX CAVITY

THIS DRAWING IS A CONTROLLED DOCUMENT.		OWN: Brent D. John	23 JUNE 2004	TE Connectivity
DIMENSIONS: mm [INCH]		CHK: W.H. BERNHART	23 JUNE 2004	
TOLERANCES UNLESS OTHERWISE SPECIFIED:		APPD: W.H. BERNHART	23 JUNE 2004	
0 PLC ± . 1 PLC ± 0.2 [0.008] 2 PLC ± 0.13 [0.005] 3 PLC ± 0.051 [0.002] 4 PLC ± . ANGLES ± .		PRODUCT SPEC	NAME: ASSEMBLY, PIN, QUADRAX, 2mm SO, AIRCRAFT DATA NETWORK, RR/RR, WITH PIN CONTACTS	
MATERIAL: -		FINISH: -	WEIGHT: -	SIZE: A1
CUSTOMER DRAWING		SCALE: 3:1		SHEET 2 OF 2

Mouser Electronics

Authorized Distributor

Click to View Pricing, Inventory, Delivery & Lifecycle Information:

[TE Connectivity:](#)

[1445692-3](#)