

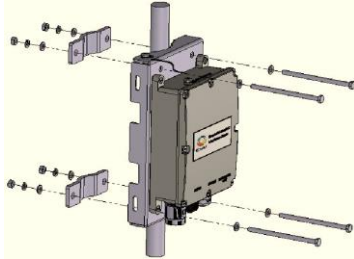
Microsemi Outdoor Mounting Brackets

PD-OUT/MBK/S

Data Sheet

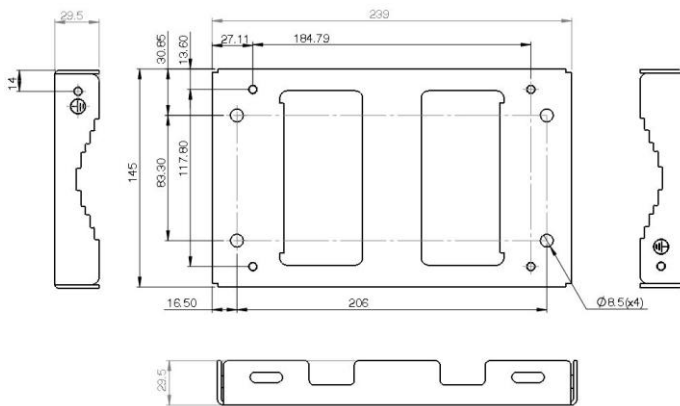
Overview

The Microsemi outdoor mounting bracket, PD-OUT/MBK/S is designed for wall mount installations as well as small and large poles (up to 8" diameter) installations.



PD-OUT/MBK/S Features

- Robust installation
- Ease the installation process
- Indoor and outdoor environment



Technical Specification

Mounting bracket compatible with Microsemi Products	PD-ACDC90GO/AC PD-9001GO/AC PD-9501GO/AC PD-9601GO/AC PDS-104GO/AC/M PDS-104MO/AC/M
Environment	Indoor/Outdoor
Pole mount	1" < ϕ < 8" (25.4mm < ϕ < 203.2mm)
Weight	1.6Kg. (3.53 lbs)
Warranty	1-year

The PD-OUT/MBK/S package includes the followings items:

Quantity	Name
1	Mount bracket
2	Worm clamp
2	Omega
6	M5/16 Pan head screw
2	M5 Washer
2	M5 Flat washer
4	M6/110 Hex screw
8	M6 Flat washer
4	M6 Spring washer
4	M6 Nut

Ordering Information

Part Number	Description
PD-OUT/MBK/S	Mounting brackets for outdoor unit

Microsemi makes no warranty, representation, or guarantee regarding the information contained herein or the suitability of its products and services for any particular purpose, nor does Microsemi assume any liability whatsoever arising out of the application or use of any product or circuit. The products sold hereunder and any other products sold by Microsemi have been subject to limited testing and should not be used in conjunction with mission-critical equipment or applications. Any performance specifications are believed to be reliable but are not verified, and Buyer must conduct and complete all performance and other testing of the products, alone and together with, or installed in, any end-products. Buyer shall not rely on any data and performance specifications or parameters provided by Microsemi. It is the Buyer's responsibility to independently determine suitability of any products and to test and verify the same. The information provided by Microsemi hereunder is provided "as is, where is" and with all faults, and the entire risk associated with such information is entirely with the Buyer. Microsemi does not grant, explicitly or implicitly, to any party any patent rights, licenses, or any other IP rights, whether with regard to such information itself or anything described by such information. Information provided in this document is proprietary to Microsemi, and Microsemi reserves the right to make any changes to the information in this document or to any products and services at any time without notice.



Microsemi Corporate Headquarters
One Enterprise, Aliso Viejo, CA 92656 USA
Within the USA: +1 (800) 713-4113
Outside the USA: +1 (949) 380-6100
Sales: +1 (949) 380-6136
Fax: +1 (949) 215-4996
email: sales.support@microsemi.com
www.microsemi.com

Microsemi Corporation (MSCC) offers a comprehensive portfolio of semiconductor and system solutions for communications, defense & security, aerospace and industrial markets. Products include high-performance and radiation-hardened analog mixed-signal integrated circuits, FPGAs, SoCs and ASICs; power management products; timing and synchronization devices and precise time solutions, setting the world's standard for time; voice processing devices; RF solutions; discrete components; security technologies and scalable anti-tamper products; Ethernet solutions; Power-over-Ethernet ICs and midspans; as well as custom design capabilities and services. Microsemi is headquartered in Aliso Viejo, Calif., and has approximately 3,600 employees globally. Learn more at www.microsemi.com.

©2018 Microsemi Corporation. All rights reserved. Microsemi and the Microsemi logo are registered trademarks of Microsemi Corporation. All other trademarks and service marks are the property of their respective owners.

Mouser Electronics

Authorized Distributor

Click to View Pricing, Inventory, Delivery & Lifecycle Information:

[Microchip:](#)

[PD-OUT/MBK/S](#)