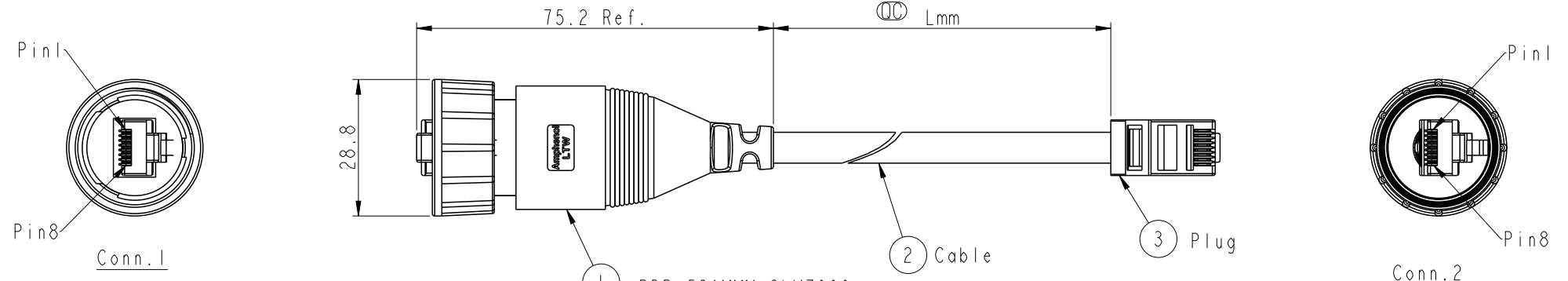
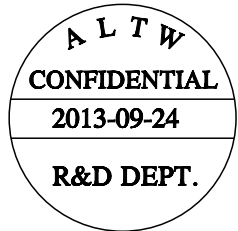


THIS DOCUMENT IS SUBJECT TO CHANGE WITHOUT NOTICE. IT IS CONFIDENTIAL AND A PROPERTY OF Amphenol LTW. DISCLOSURE TO THIRD PARTY HAS TO BE AUTHORIZED BY Amphenol LTW.

REV.	ECN NO.	DATE	SIGN	DESCRIPTION



Waterproof Rate: IP67



1 RDP-5SAMMM-SLM7000
COLOR: BLACK

RDP5SM-SPG06M-SL7B XX
 XX : 01~99Meters
 01 : 01Meter
 02 : 02Meters
 :
 :
 :
 99 : 99Meters
 Cable Length(L): 01~99Meters

- Note:
- * (CC) Important Dimension To Check
 - * Waterproof Rate: IP67
 - * Housing: Nylon+GF, Black
 - * Lock Nut: Nylon+GF, Black
 - * RJ Plug: Shield, Phosphor Bronze, Gold Plated
 - * Cable: CAT5E FTP 24#*4P+D+AL/MY, 6.5
 - * Cable Length Tolerance: 01M: ±40mm
02M~05M: ±60mm
11M~30M: ±200mm
31M~99M: ±500mm

Shield	Drain Wire	Shield
8	Brown 棕	8
7	White/Brown 白/棕	7
6	Green 綠	6
5	White/Blue 白/藍	5
4	Blue 藍	4
3	White/Green 白/綠	3
2	Orange 橘	2
1	White/Orange 白/橘	1
Conn.1	Wire Color	Conn.2

Pin Out

UNIT:mm			TITLE RJ DOUBLE-ENDED, WITH PLUG
TOLERANCE .X ±0.25 .XX ±0.1 .XXX ±0.05 ANGLES ±1°	SCALE 4:5	SIZE A4	SHEET 1 OF 1
REV. A	WC-REV. A.1	CC: Inspection item	

Amphenol LTW
安費諾亮泰企業股份有限公司

ITEM NO	DRAWN BY Raison_liao	DATE 2013-07-20
DWG NO RDP5SM-SPG06M-SL7BXX	CHECKED BY Tony	DATE 2013-07-20
CUSTOMER ALTW	APPROVED BY Victor	DATE 2013-07-20

Mouser Electronics

Authorized Distributor

Click to View Pricing, Inventory, Delivery & Lifecycle Information:

[Amphenol:](#)

[RDP5SM-SPG06M-SL7B04](#) [RDP5SM-SPG06M-SL7B02](#) [RDP5SM-SPG06M-SL7B05](#) [RDP5SM-SPG06M-SL7B10](#)
[RDP5SM-SPG06M-SL7B03](#)