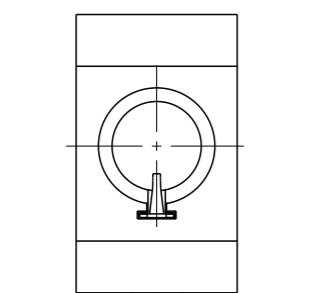
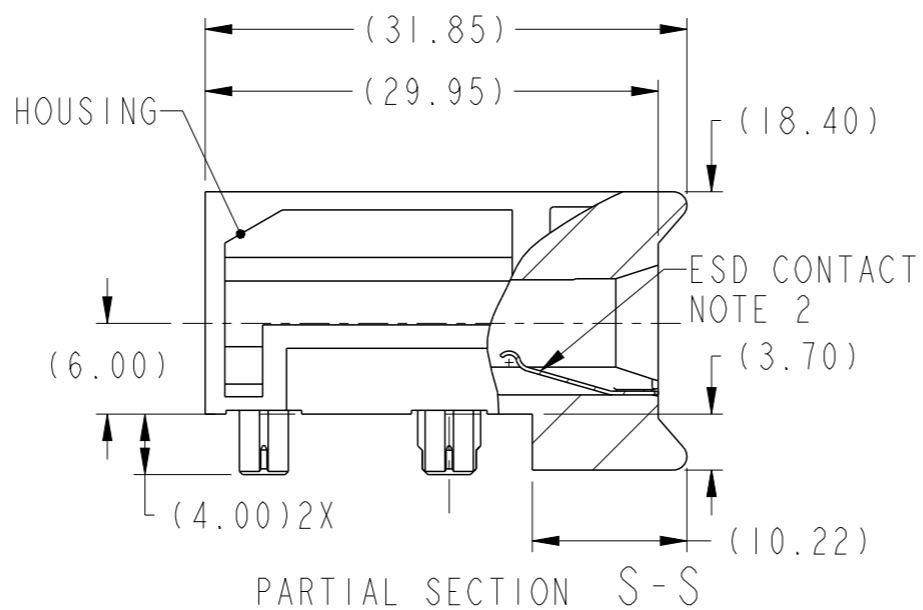


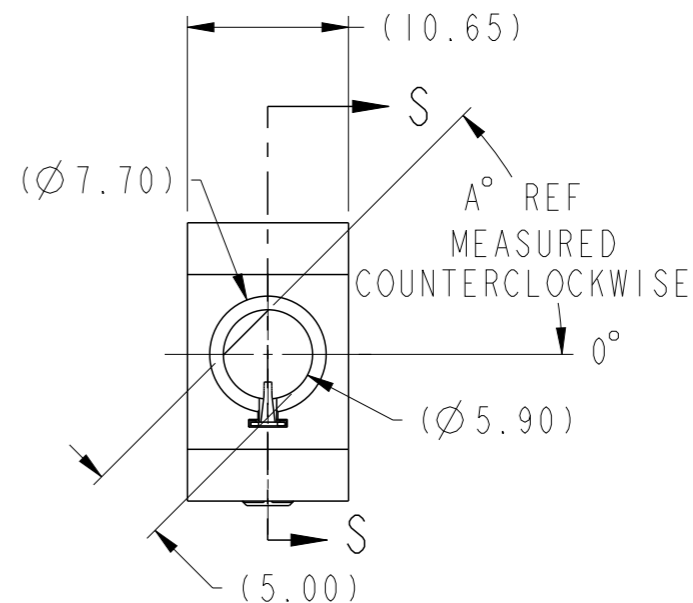
PRODUCT NUMBER
SEE TABLE, SHT 2



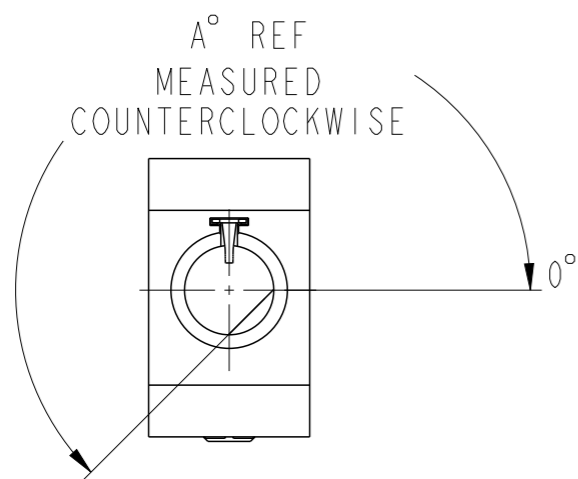
VIEW H
ESD ORIENTATION



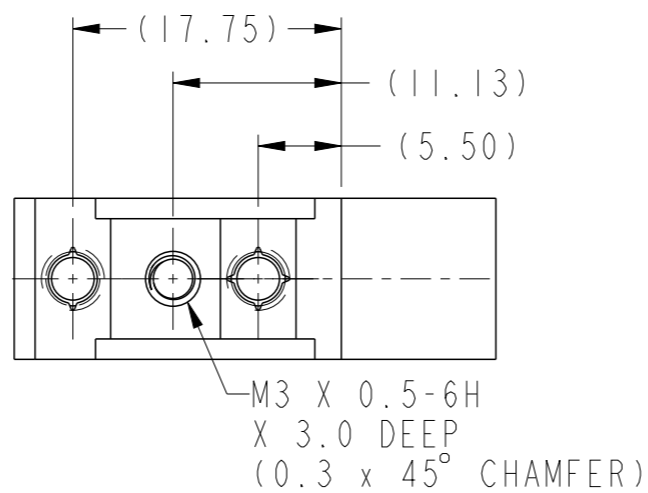
PARTIAL SECTION S-S



VIEW F
ESD ORIENTATION
(P/N 10037912-102 SHOWN)



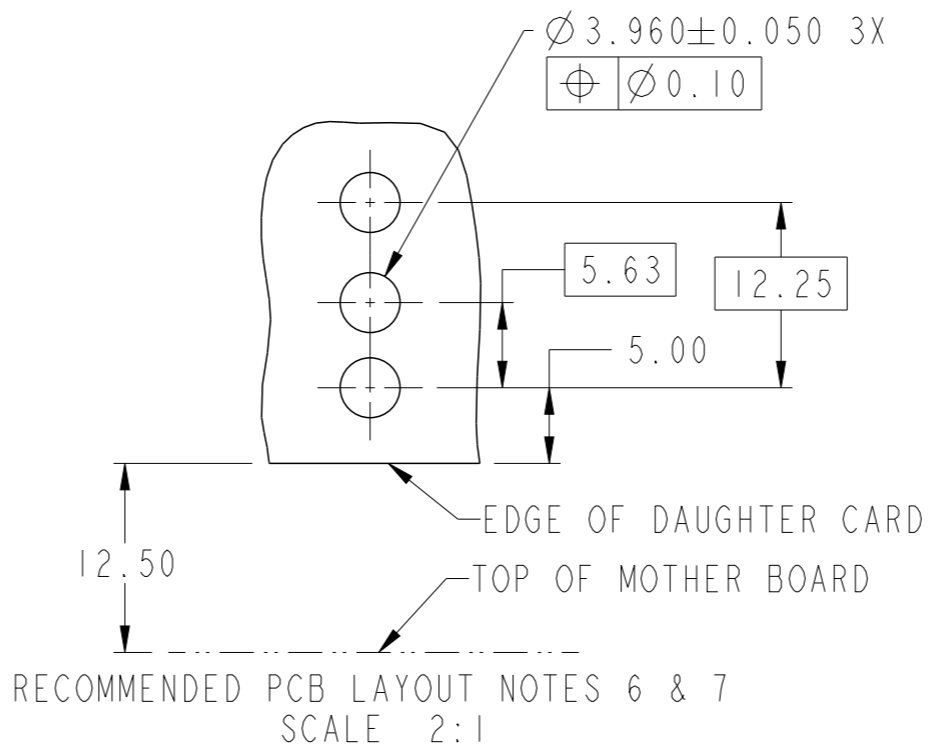
VIEW G
ESD ORIENTATION



M3 X 0.5-6H
X 3.0 DEEP
(0.3 x 45° CHAMFER)

spec ref	dr	Chen-Hong Tan	2005/08/18	projection	MM	size	A3	scale	1:1
tolerance std	eng	Terry Luo	2019/04/24			ecn no	ELX-DG-33324-1	rel level	Released
ASME Y14.5	chr	-	-						
	appr	Heaven Cen	2019/04/25	product family	AirMax Accessories				
surface 3.2	linear	0.X	±.3	Amphenol FCI 10.8mm GUIDE MODULE ASSY WITH ESD & KEYING OPTIONS	cat. no. -	Product - Customer Drw	sheet 1 of 3	rev E	dwg no 10037912
		0.XX	±.10						
ASME Y14.5	angular	0°	±2°						

PRODUCT NUMBER NOTES 4 & 8	DIM A	ESD PIN LOCATION
10037912-1X1LF	0°	PER VIEW F
10037912-1X2LF	45°	PER VIEW F
10037912-1X3LF	90°	PER VIEW F
10037912-1X4LF	135°	PER VIEW G
10037912-1X5LF	180°	PER VIEW G
10037912-1X6LF	225°	PER VIEW G
10037912-1X7LF	270°	PER VIEW G
10037912-1X8LF	315°	PER VIEW F
10037912-1X9LF	N/A NOTE 5	PER VIEW H



spec ref	dr	Chen-Hong Tan	2005/08/18	projection	MM	size	A3	scale	1:1
tolerance std	eng	Terry Luo	2019/04/24			ecn no	ELX-DG-33324-1	rel level	Released
ASME Y14.5	chr	-	-						
	appr	Heaven Cen	2019/04/25	product family			AirMax Accessories		
surface 3.2	linear	0.X	±.3	Amphenol FCI 10.8mm GUIDE MODULE ASSY WITH ESD & KEYING OPTIONS			dwg no 10037912	rev E	
ASME Y14.5	angular	0°	±2°						
				cat. no.	-	Product - Customer Drw			sheet 2 of 3

Amphenol FCI

© 2016 AFCI

A

B

C

D

A

B

C

D

- ①. MATERIAL: ZINC ALLOY
- ②. FINISH: HOUSING; ZINC YELLOW CHROMATE
ESD CONTACT; 1.27um MINIMUM NICKEL ALL OVER
- 3. APPLICATION SPEC: GS-20-045
- ④. X = 0 FOR MODULES WITH ESD GROUNDING OPTION
X = 1 FOR MODULES W/O ESD GROUNDING OPTION
- ⑤. FOR THE -109LF VERSION (NO KEY) THE MATING GUIDE PIN MUST BE ORIENTATED SO IT MAKES CONTACT WITH THE ESD PIN
- ⑥. THRU HOLE PLATING AND ANNULAR RINGS MUST BE ADDED AS APPROPRIATE FOR APPLICATIONS WITH THE ESD GROUNDING OPTION. FINISHED HOLE SIZE IS THE SAME REGARDLESS OF PLATED BARREL OR NOT
- ⑦. REFER TO CUSTOMER DRAWING 10035911 FOR INFORMATION REGARDING PCB LAYOUT OF POWER AND GUIDE MODULES RELATIVE TO SIGNAL MODULES
- ⑧. EQUIVALENT PRODUCTS SHOWN ON CUSTOMER DRAWING 10025408 MAY BE SUBSTITUTED PRIOR TO TOOLING COMPLETION
- 9. THIS PRODUCT MEETS EUROPEAN UNION DIRECTIVES AND OTHER COUNTRY REGULATIONS AS DESCRIBED IN GS-22-008.
- 10. PACKAGING MEETS GS-14-920 LEAD FREE LABELING SPECIFICATION.

Amphenol
FCi

© 2016 AFCI

spec ref		dr	Chen-Hong Tan	2005/08/18	projection	MM	size	A3	scale	1:1
tolerance std	ASME Y14.5	eng	Terry Luo	2019/04/24			ecn no		ELX-DG-33324-1	
TOLERANCES UNLESS OTHERWISE SPECIFIED		chr	-	-			rel level		Released	
surface	3.2	appr	Heaven Cen	2019/04/25	product family		AirMax Accessories		rev	E
ASME Y14.5	linear	0.X	±.3	Amphenol FCi	10.8mm GUIDE MODULE ASSY WITH ESD & KEYING OPTIONS		dwg no		10037912	
		0.XX	±.10							
0.XXX	±.050									
ASME Y14.5	angular	0°	±2°	cat. no.	-	Product - Customer Drw		sheet 3 of 3		