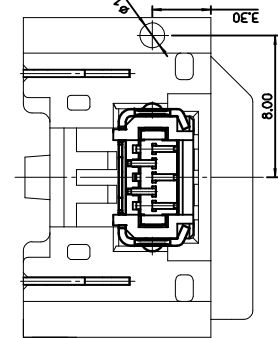
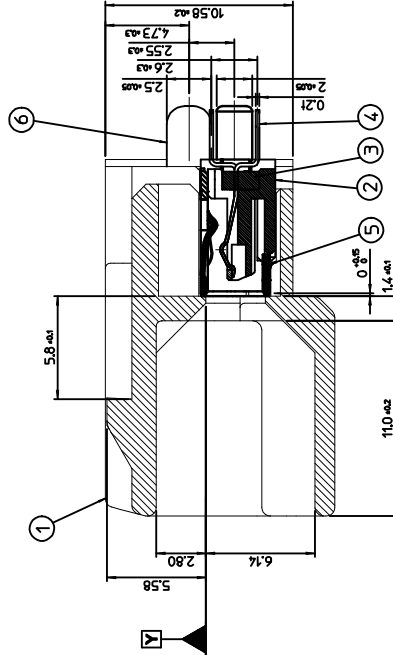
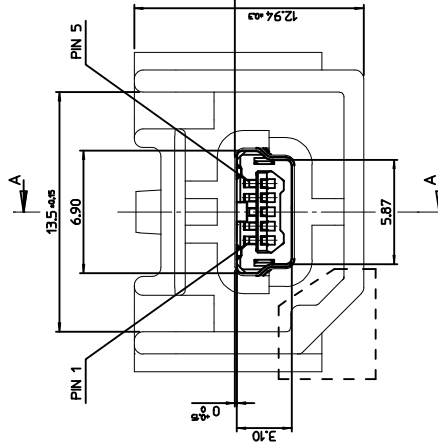


**RECOMMENDED PCB LAYOUT**



<TABLE 1>

MATERIAL NO.	ORDER NO.	COLOR	PACKING
1040040901	104004-0901	BLACK	TRAY
1040040902	104004-0902	BLACK	ST TRAY

<PARTS LIST>

NO.	PART NAME	MATERIAL
1	SHROUD-A	LCP, GLASS FILLED, UL94 V-0
2	RECEPTACLE HOUSING	LCP, GLASS FILLED, UL94 V-0
3	CONTACT HOUSING	LCP, GLASS FILLED, UL94 V-0
4	CONTACT TERMINAL	COPPER ALLOY
5	SHIELD CASE	PHOSPHOR BRONZE
6	BOARD LOCKS PIN	BRASS

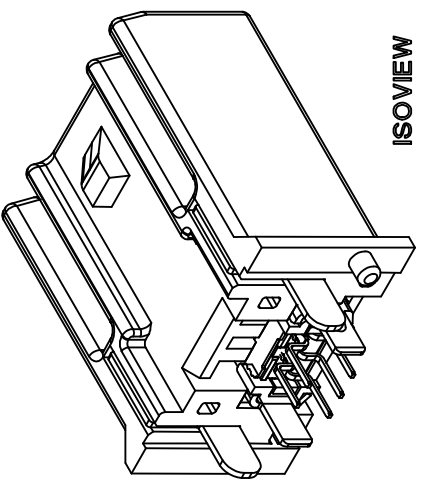
ADDED OPTION

REV	DESCRIPTION	DATE
A1	DRM:YBAEK	2014/08/04
	APR:JYCHOI	2014/08/21

QUALITY SYMBOLS	GENERAL TOLERANCES (UNLESS SPECIFIED)
0 =	mm
0 =	INCH
	4 PLACES ±
	3 PLACES ±
	2 PLACES ±
	1 PLACE ±
	ANGULAR ±

DESIGN STYLE	SCALE	DESIGN UNITS	THIRD ANGLE PROJECTION
MM ONLY	5:1	METRIC	

DRAWN BY	DATE	TITLE
S. M. KIM	2009/06/17	USCAR USB MINI B CONN VERTICAL A (LONG TERMINAL VERSION)
CHECKED BY	DATE	
B. C. YOON	2009/06/17	
APPROVED BY	DATE	
JYCHOI	2013/01/07	



**ISOVIEW**

- NOTE
- MATES WITH : (MOLEX SERIES NO. - 111014, 111015, 111005, 111041, 111019, 111020)
  - SHROUD GEOMETRY AND ASSEMBLY WITH USB MINI-B CONNECTOR ARE ACCORDING TO USCAR STD 999-U-USB-Z01
  - FINISHES
    - TERMINAL : CONTACT AREA : Au 0.75µm MIN. SOLDER TAIL AREA : TIN 1.0µm MIN. UNDER PLATING : Ni 1.0µm MIN.
    - SHIELD CASE : 3.0µm MIN. TIN OVER Ni 1.0µm MIN.
    - FITTING NAIL : 3.0µm MIN. TIN OVER Ni 1.0µm MIN.
  - UNLESS OTHERWISE SPECIFIED, TYPICAL RECOMMENDED PCB MANUFACTURING TOLERANCE IS ±0.05
  - PACKAGING IS TRAY : -STD. TYPE :48 PCS/TRAY, 5 TRAY/TRAY BOX, 240 PCS/TRAY BOX, 960 PCS/CARTON BOX) -ST TYPE:32 PCS/TRAY, 3 TRAY/TRAY BOX, 96 PCS/TRAY BOX, 384 PCS/CARTON BOX)
  - PRODUCT SPECIFICATION : PS-49616-001
  - PACKAGING INFORMATION :
    - (STD. TYPE)PK-104004-003
    - (ST TYPE) PK-104004-004