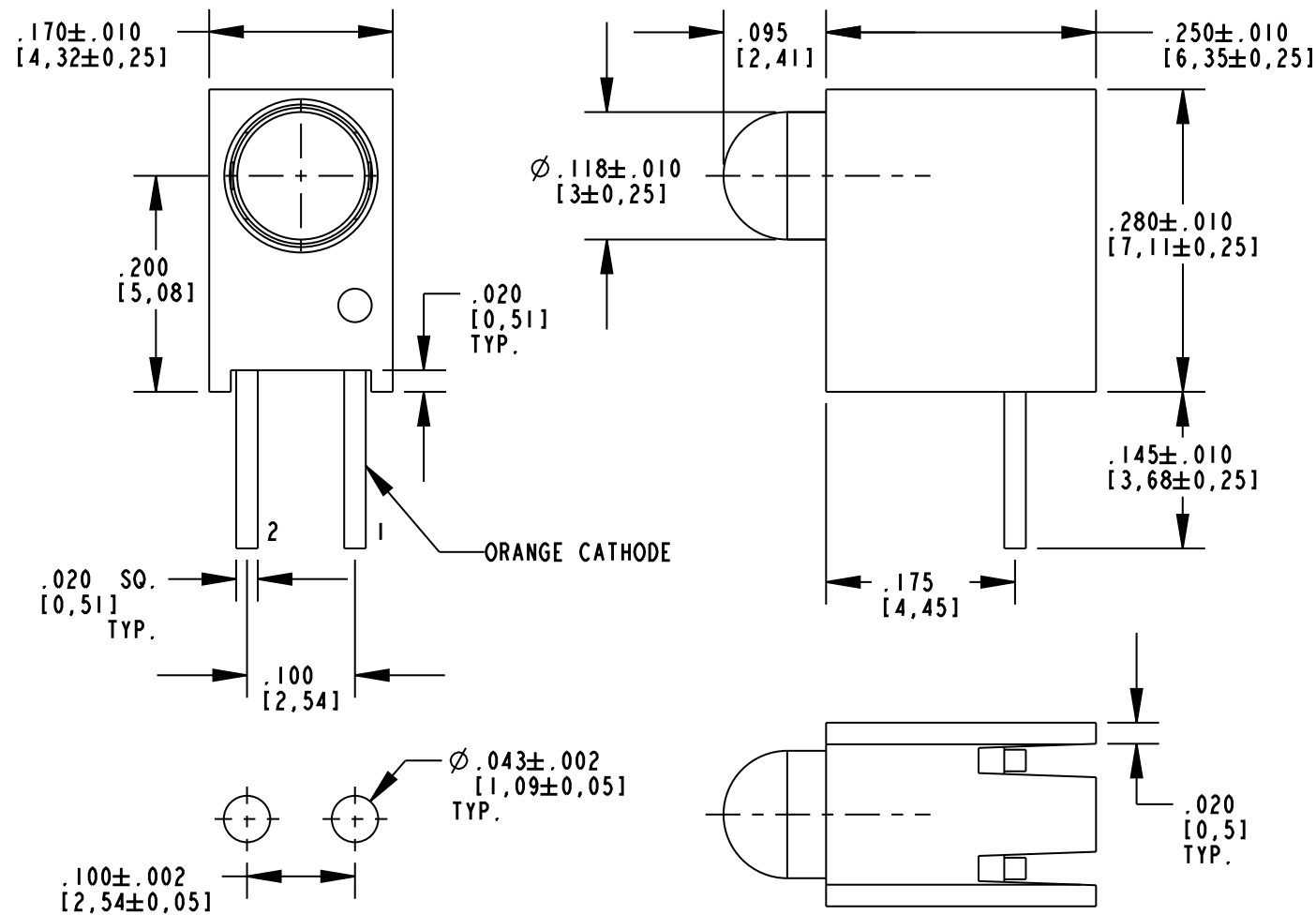


REV	ECN NO	REVISIONS	DRN	CKD	APP	DATE
A		NEW RELEASE	AJF	JLC	NO	3-23-10

RoHS COMPLIANT 551-3407F

Part Numbers with the "F" suffix ending are RoHS Compliant. Packaging is marked with "RoHS Compliant" label or equivalent markings. Parts can be wave soldered, dip soldered or hand soldered using typical lead-free soldering process with max 260°C temp. for 5 sec.



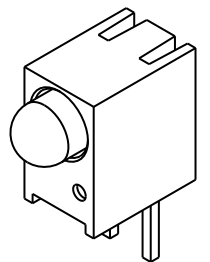
RECOMMENDED HOLE PATTERN GAUGE

NOTES:

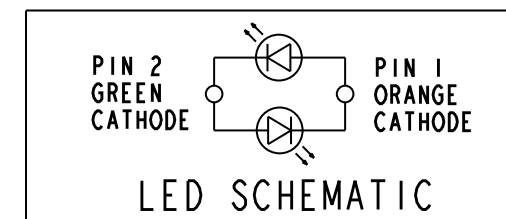
- LED LEAD DIMENSIONS SHOWN ARE MEASURED AT HOUSING EXIT.
- LEADS TO FIT INTO HOLES SPACED AS PER PATTERN.
- PIN NUMBERS FOR REFERENCE ONLY, DESIGNATION NON-EXISTENT ON PART.
- DIALIGHT PART NUMBERS: 551-3407F.
- THIS ASSEMBLY CONTAINS ELECTROSTATIC DISCHARGE SENSITIVE DEVICES (ESDS). MAINTAIN ALL PRECAUTIONARY MEASURES DURING ASSEMBLY, HANDLING, AND STORAGE IN ACCORDANCE WITH IPC-A-610.

OPERATING CHARACTERISTICS AT 25° C AMBIENT						
LED CHARACTERISTICS	COLOR	MIN	TYP	MAX	UNITS	TEST CONDITIONS
LUMINOUS INTENSITY	ORANGE	14.0	26.0	38.0	mcd	I _F = 2 mA
	GREEN	6.5	12.0	18.0		
FORWARD VOLTAGE	ORANGE			2.4	V	I _F = 20 mA
	GREEN			2.4		
REVERSE CURRENT	ORANGE			10	μA	V _R = 9 V
	GREEN			10		
DOMINANT WAVELENGTH	ORANGE	600	605	613	nm	I _F = 2 mA
	GREEN	560	565	570		
PEAK WAVELENGTH	ORANGE		621		nm	I _F = 20 mA
	GREEN		574			
VIEWING ANGLE 2 θ _{1/2}	ORANGE		60		DEGREES	
	GREEN					

ABSOLUTE MAXIMUM RATINGS AT 25° C AMBIENT	COLOR		UNITS
	ORANGE	GREEN	
POWER DISSIPATION	60	100	mW
PEAK FORWARD CURRENT (1/10 DUTY CYCLE, 0.1ms PULSE WIDTH)	80	120	mA
CONTINUOUS FORWARD CURRENT	20	30	mA
REVERSE VOLTAGE	9		V
DERATING LINEAR FROM 50°C	0.25	0.4	mA/°C
SOLDERING TEMPERATURE, 5 SEC., .078" FROM BODY	260		°C
OPERATING TEMPERATURE	-55 TO +100		°C
STORAGE TEMPERATURE	-55 TO +100		°C



SCALE 3.000



ATTENTION:
OBSERVE PRECAUTIONS FOR
HANDLING ELECTROSTATIC
SENSITIVE DEVICES

THIS DRAWING AND THE CONTENTS HEREIN ARE CONFIDENTIAL AND THE SOLE PROPERTY OF DIALIGHT. REPRODUCTION OF THIS DRAWING OR CONSTRUCTION OF ANY PARTS WITHIN THIS DRAWING ARE FORBIDDEN WITHOUT THE WRITTEN CONSENT OF DIALIGHT.		
SCALE: 6.000 ALL DIM'S IN: INCHES (MM)	DRAWING NUMBER C-17822	REV A
TOLERANCES: UNLESS OTHERWISE SPECIFIED FRACTIONS: ±1/64 DECIMALS (.XX): ±.02 DECIMALS (.XXX): ±.015	TITLE Ø 3mm LED CBI .200" HIGH O/G BI-COLOR	
ANGLES: ±3° FINISH:	MATERIAL	
FSCM 83330	Dialight 1501 ROUTE 34 SOUTH FARMINGDALE, NJ 07727	
SHEET 1 OF 1 FAMILY TABLE:		

Mouser Electronics

Authorized Distributor

Click to View Pricing, Inventory, Delivery & Lifecycle Information:

Dialight:

[551-1109F](#) [551-0309F](#) [551-0409F](#) [551-0709F](#) [551-1209F](#) [551-0509F](#) [551-1309F](#) [551-3009F](#) [551-3109F](#) [551-0609F](#) [551-2509F](#) [551-0209F](#) [551-1101F](#) [551-3104F](#) [551-0404F](#) [551-1301F](#) [551-3101F](#) [551-0601F](#) [551-0501F](#) [551-0301F](#) [551-3001F](#) [551-0201F](#) [551-0204F](#) [551-0401F](#) [551-0201-010F](#) [551-0601-010F](#) [551-0501-010F](#) [551-1301-010F](#) [551-0801F](#) [551-0701-010F](#) [551-0701F](#) [551-0301-010F](#) [551-2501F](#) [551-1201-010F](#) [551-0704F](#) [551-1304F](#) [551-0304F](#) [551-0604F](#) [551-2504F](#) [551-1104F](#) [551-0504F](#) [551-3004F](#) [551-1204F](#) [551-3407F](#) [551-0404-809F](#) [551-0204-804F](#) [551-2504-808F](#) [551-0401-010F](#) [551-0704-811F](#)