

**PLEASE CHECK WWW.MOLEX.COM FOR LATEST PART INFORMATION**

**Part Number:** [0745400401](#)  
**Status:** **Active**  
**Overview:** [iPass Connector System](#)  
**Description:** PCIe Guide Frame, x4, for PCIe Add-In Cards, 1° Cage Angle, With Blocking Key

**Documents:**

<a href="#">3D Model</a>	<a href="#">Drawing (PDF)</a>
<a href="#">3D Model (PDF)</a>	<a href="#">RoHS Certificate of Compliance (PDF)</a>

**General**

Product Family	EMI Cages
Series	<a href="#">74540</a>
Application	Module-to-Board
Comments	For PCIe Add-In Cards 1° Cage Angle
Component Type	Guide Frame
Overview	<a href="#">iPass Connector System</a>
Product Name	PCI Express
UPC	822350705080

**Physical**

EMI Panel / Bezel Mount	Behind the Bezel
Light Pipes per Port	0
Material - Metal	Zinc Die Cast
Net Weight	13.700/g
Orientation	Horizontal
Packaging Type	Tray
Port Configuration	1x1
Rear Legs	0
Termination Interface: Style	N/A
Thermal Height	N/A
Thermal Solutions	Closed Top

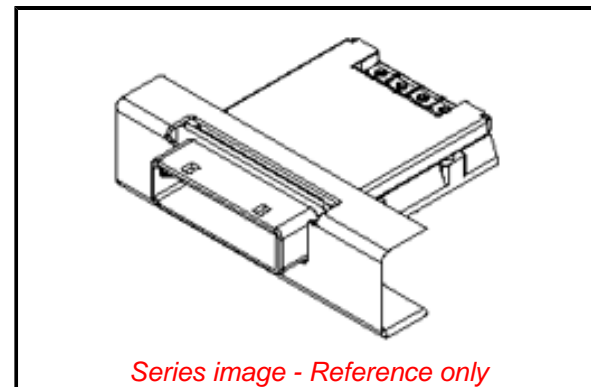
**Solder Process Data**

Lead-freeProcess Capability	N/A
-----------------------------	-----

**Material Info**

**Reference - Drawing Numbers**

Sales Drawing	745400401-ASY, SD-74540-401-001
---------------	---------------------------------



**EU ELV**

**Compliant**

**EU RoHS**

**Compliant**

**REACH SVHC**

Not Contained Per -  
D(2020)9139-DC (19  
Jan 2021)

**Halogen-Free**

**Status**

**Low-Halogen**

For more information, please visit [Contact US](#)

China ROHS

ELV

RoHS Phthalates

**China RoHS**

Green Image

Compliant

Not Contained

**Search Parts in this Series**

[74540](#) Series

**Mates With**

[74546](#) iPass Cable Assembly

# Mouser Electronics

Authorized Distributor

Click to View Pricing, Inventory, Delivery & Lifecycle Information:

[Molex:](#)

[74540-0401](#)