

RP105

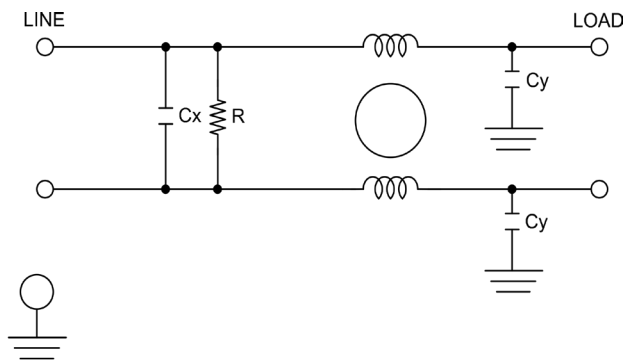
COMPACT SINGLE STAGE POWER LINE FILTERS

FEATURES

- » Rated currents include **3A, 6A, 10A, 16A, and 20A**
- » Single Stage Line Filter
- » Available with **QD** tabs, **W** (wireleads), **S** (studs) option
- » Compact Design
- » Agency Approved to UL1283/60929, CSA C22.2, EN60939
- » Y-cap value can be adjusted to fit specifications



ELECTRICAL SCHEMATIC



SPECIFICATIONS

OPERATING FREQUENCY	50/60Hz
USABLE FREQUENCY	DC - 400 Hz
MAX. OPERATING VOLTAGE	250V +10%
AMBIENT TEMPERATURE	-25 TO 40°C
CLIMATIC CATEGORY	25/100/21
TERMINALS (-T)	QD: 0.25" TABS WIRE LEADS STUDS
TYP. WEIGHT, LBS (KG)	0.3 (0.1)

TYPICAL LEAKAGE CURRENT

@ 250 VAC 50 Hz	0 - 1.57 mA Max.
@ 120 VAC 60 Hz	0 - 0.90 mA Max.

HIPOT RATINGS

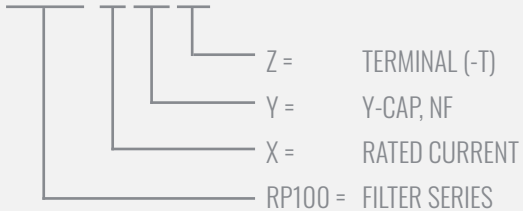
LINE TO GROUND	2700 VDC
----------------	----------

TYPICAL APPLICATIONS

- ✓ Household Appliances
- ✓ Industrial Equipment
- ✓ Medical Devices
- ✓ Communication systems
- ✓ Consumer Electronics

HOW TO ORDER

RP105- X - Y - Z



NOTE: USE ANY COMBINATION OF -X (AMPS) WITH ANY -Y RATINGS
E.G. **RP105-6-2.2-QD** (6AMPS WITH 2.2 NF YCAP)

For **X, Y** and **Z** options see product specification table.

RP105

COMPACT SINGLE STAGE POWER LINE FILTERS

MODEL NO.	RATED CURRENT, A @ 40° C	Y-CAP, nF	LEAKAGE CURRENT, mA @ 250V AC, 50 Hz / @ 120V AC, 60 Hz		TERMINAL OPTIONS			MAX. DIMENSIONS" (MM)		
					(QD) INPUT/ OUTPUT	(W) INPUT/ OUTPUT	(S) INPUT/ OUTPUT	WIDTH	(LENGTH)	HEIGHT
RP105-3-0-QD	3	0	-	-	✓			2.76" (70)	2.99" (76)	1.18" (30)
RP105-3-0-W	3	0	-	-		✓		2.76" (70)	2.78" (70.67)	1.18" (30)
RP105-3-47-QD	3	0.47	0.07	0.04	✓			2.76" (70)	2.99" (76)	1.18" (30)
RP105-3-47-W	3	0.47	0.07	0.04		✓		2.76" (70)	2.78" (70.67)	1.18" (30)
RP105-3-1-QD	3	1	0.15	0.09	✓			2.76" (70)	2.99" (76)	1.18" (30)
RP105-3-1-W	3	1	0.15	0.09		✓		2.76" (70)	2.78" (70.67)	1.18" (30)
RP105-3-2.2-QD	3	2.2	0.34	0.19	✓			2.76" (70)	2.99" (76)	1.18" (30)
RP105-3-2.2-W	3	2.2	0.34	0.19		✓		2.76" (70)	2.78" (70.67)	1.18" (30)
RP105-3-4.7-QD	3	4.7	0.73	0.42	✓			2.76" (70)	2.99" (76)	1.18" (30)
RP105-3-4.7-W	3	4.7	0.73	0.42		✓		2.76" (70)	2.78" (70.67)	1.18" (30)
RP105-3-10-QD	3	10	1.57	0.90	✓			2.76" (70)	2.99" (76)	1.18" (30)
RP105-3-10-W	3	10	1.57	0.90		✓		2.76" (70)	2.78" (70.67)	1.18" (30)
RP105-6-0-QD	6	0	-	-	✓			2.76" (70)	2.99" (76)	1.18" (30)
RP105-6-0-W	6	0	-	-		✓		2.76" (70)	2.78" (70.67)	1.18" (30)
RP105-6-47-QD	6	0.47	0.07	0.04	✓			2.76" (70)	2.99" (76)	1.18" (30)
RP105-6-47-W	6	0.47	0.07	0.04		✓		2.76" (70)	2.78" (70.67)	1.18" (30)
RP105-6-1-QD	6	1	0.15	0.09	✓			2.76" (70)	2.99" (76)	1.18" (30)
RP105-6-1-W	6	1	0.15	0.09		✓		2.76" (70)	2.78" (70.67)	1.18" (30)
RP105-6-2.2-QD	6	2.2	0.34	0.19	✓			2.76" (70)	2.99" (76)	1.18" (30)
RP105-6-2.2-W	6	2.2	0.34	0.19		✓		2.76" (70)	2.78" (70.67)	1.18" (30)
RP105-6-4.7-QD	6	4.7	0.73	0.42	✓			2.76" (70)	2.99" (76)	1.18" (30)
RP105-6-4.7-W	6	4.7	0.73	0.42		✓		2.76" (70)	2.78" (70.67)	1.18" (30)
RP105-6-10-QD	6	10	1.57	0.90	✓			2.76" (70)	2.99" (76)	1.18" (30)
RP105-6-10-W	6	10	1.57	0.90		✓		2.76" (70)	2.78" (70.67)	1.18" (30)
RP105-10-0-QD	10	0	-	-	✓			2.76" (70)	2.99" (76)	1.18" (30)
RP105-10-0-W	10	0	-	-		✓		2.76" (70)	2.78" (70.67)	1.18" (30)
RP105-10-47-QD	10	0.47	0.07	0.04	✓			2.76" (70)	2.99" (76)	1.18" (30)
RP105-10-47-W	10	0.47	0.07	0.04		✓		2.76" (70)	2.78" (70.67)	1.18" (30)
RP105-10-1-QD	10	1	0.15	0.09	✓			2.76" (70)	2.99" (76)	1.18" (30)
RP105-10-1-W	10	1	0.15	0.09		✓		2.76" (70)	2.78" (70.67)	1.18" (30)
RP105-10-2.2-QD	10	2.2	0.34	0.19	✓			2.76" (70)	2.99" (76)	1.18" (30)
RP105-10-2.2-W	10	2.2	0.34	0.19		✓		2.76" (70)	2.78" (70.67)	1.18" (30)
RP105-10-4.7-QD	10	4.7	0.73	0.42	✓			2.76" (70)	2.99" (76)	1.18" (30)
RP105-10-4.7-S	10	4.7	0.73	0.42			✓	2.76" (70)	3.35" (85)	1.18" (30)

ADDITIONAL MODEL NO. >>

RP105

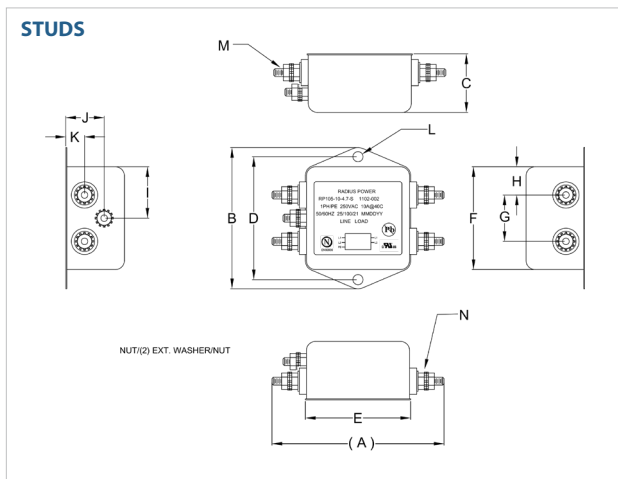
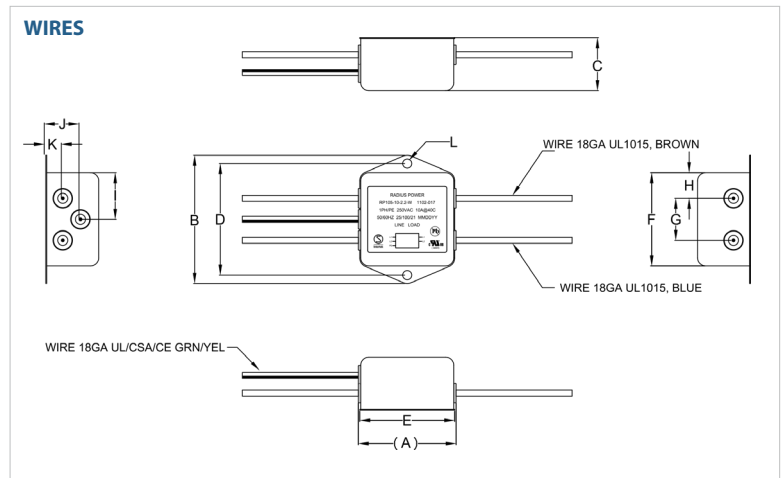
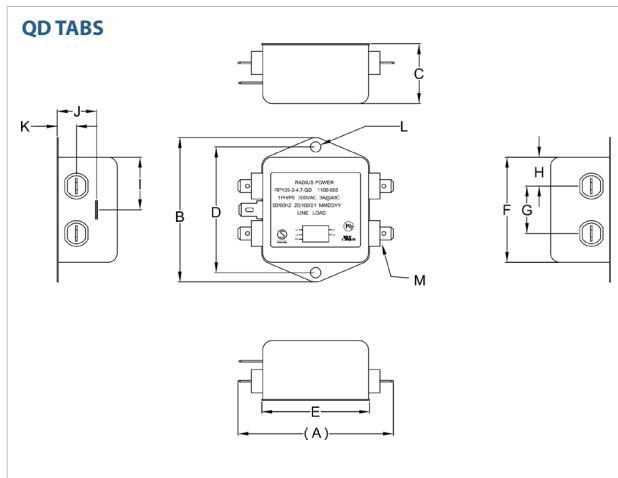
COMPACT SINGLE STAGE POWER LINE FILTERS

MODEL NO.	RATED CURRENT, A @ 40° C	Y-CAP, nF	LEAKAGE CURRENT, mA @ 250V AC, 50 Hz / @ 120V AC, 60 Hz		TERMINAL OPTIONS			MAX. DIMENSIONS" (MM)		
					(QD) INPUT/ OUTPUT	(W) INPUT/ OUTPUT	(S) INPUT/ OUTPUT	WIDTH	(LENGTH)	HEIGHT
RP105-10-4.7-W	10	4.7	0.73	0.42		✓		2.76" (70)	2.78" (70.67)	1.18" (30)
RP105-10-10-QD	10	10	1.57	0.90	✓			2.76" (70)	2.99" (76)	1.18" (30)
RP105-10-10-W	10	10	1.57	0.90		✓		2.76" (70)	2.78" (70.67)	1.18" (30)
RP105-16-0-QD	16	0	-	-	✓			2.76" (70)	2.99" (76)	1.18" (30)
RP105-16-0-W	16	0	-	-		✓		2.76" (70)	2.78" (70.67)	1.18" (30)
RP105-16-47-QD	16	0.47	0.07	0.04	✓			2.76" (70)	2.99" (76)	1.18" (30)
RP105-16-47-W	16	0.47	0.07	0.04		✓		2.76" (70)	2.78" (70.67)	1.18" (30)
RP105-16-1-QD	16	1	0.15	0.09	✓			2.76" (70)	2.99" (76)	1.18" (30)
RP105-16-1-W	16	1	0.15	0.09		✓		2.76" (70)	2.78" (70.67)	1.18" (30)
RP105-16-2.2-QD	16	2.2	0.34	0.19	✓			2.76" (70)	2.99" (76)	1.18" (30)
RP105-16-2.2-W	16	2.2	0.34	0.19		✓		2.76" (70)	2.78" (70.67)	1.18" (30)
RP105-16-4.7-QD	16	4.7	0.73	0.42	✓			2.76" (70)	2.99" (76)	1.18" (30)
RP105-16-4.7-S	16	4.7	0.73	0.42			✓	2.76" (70)	3.35" (85)	1.18" (30)
RP105-16-4.7-W	16	4.7	0.73	0.42		✓		2.76" (70)	2.78" (70.67)	1.18" (30)
RP105-16-10-QD	16	10	1.57	0.90	✓			2.76" (70)	2.99" (76)	1.18" (30)
RP105-16-10-W	16	10	1.57	0.90		✓		2.76" (70)	2.78" (70.67)	1.18" (30)
RP105-20-0-QD	20	0	-	-	✓			2.76" (70)	2.99" (76)	1.18" (30)
RP105-20-0-S	20	0	-	-			✓	2.76" (70)	3.35" (85)	1.18" (30)
RP105-20-0-W	20	0	-	-		✓		2.76" (70)	2.78" (70.67)	1.18" (30)
RP105-20-47-QD	20	0.47	0.07	0.04	✓			2.76" (70)	2.99" (76)	1.18" (30)
RP105-20-47-S	20	0.47	0.07	0.04			✓	2.76" (70)	3.35" (85)	1.18" (30)
RP105-20-47-W	20	0.47	0.07	0.04		✓		2.76" (70)	2.78" (70.67)	1.18" (30)
RP105-20-1-QD	20	1	0.15	0.09	✓			2.76" (70)	2.99" (76)	1.18" (30)
RP105-20-1-S	20	1	0.15	0.09			✓	2.76" (70)	3.35" (85)	1.18" (30)
RP105-20-1-W	20	1	0.15	0.09		✓		2.76" (70)	2.78" (70.67)	1.18" (30)
RP105-20-2.2-QD	20	2.2	0.34	0.19	✓			2.76" (70)	2.99" (76)	1.18" (30)
RP105-20-2.2-S	20	2.2	0.34	0.19			✓	2.76" (70)	3.35" (85)	1.18" (30)
RP105-20-2.2-W	20	2.2	0.34	0.19		✓		2.76" (70)	2.78" (70.67)	1.18" (30)
RP105-20-4.7-QD	20	4.7	0.73	0.42	✓			2.76" (70)	2.99" (76)	1.18" (30)
RP105-20-4.7-S	20	4.7	0.73	0.42			✓	2.76" (70)	3.35" (85)	1.18" (30)
RP105-20-4.7-W	20	4.7	0.73	0.42		✓		2.76" (70)	2.78" (70.67)	1.18" (30)
RP105-20-10-QD	20	10	1.57	0.90	✓			2.76" (70)	2.99" (76)	1.18" (30)
RP105-20-10-S	20	10	1.57	0.90			✓	2.76" (70)	3.35" (85)	1.18" (30)
RP105-20-10-W	20	10	1.57	0.90		✓		2.76" (70)	2.78" (70.67)	1.18" (30)

RP105

COMPACT SINGLE STAGE POWER LINE FILTERS

RP105 MECHANICAL OUTLINES” (MM)



SERIES	(A)	B	C	D	E	F	G	H	I	J	K	L	M	N
QD TABS	2.99" (76)	2.76" (70)	1.18" (30)	1.75" (44.5)	2.09" (53)	2.05" (52)	0.91" (23)	0.55" (14)	1.00" (25.5)	0.75" (19)	0.37" (9.3)	Ø 0.19", 2x (Ø5.0, 2x)	0.25", 5x (QD, MALE, 6.35, 5x)	N/A
WIRES	2.78" (70.67)	2.76" (70)	1.18" (30)	2.40" (61)	2.09" (53)	2.05" (52)	0.91" (23)	0.55" (14)	1.00" (25.5)	0.75" (19)	0.37" (9.3)	Ø 0.19", 2x (Ø5.0, 2x)	N/A	N/A
STUDS	3.35" (85)	2.76" (70)	1.18" (30)	2.40" (61)	2.05" (52)	2.05" (52)	0.91" (23)	0.55" (14)	1.00" (25.5)	0.75" (19)	0.37" (9.3)	Ø 0.19", 2x (Ø5.0, 2x)	STUD, M4, 4x	STUD, GND, M4

TYPICAL TOLERANCE: +/-0.02" (0.50MM)

RP105

COMPACT SINGLE STAGE POWER LINE FILTERS

TYPICAL INSERTION LOSS, dB (50/50 Ohm)

Amps	Freq (MHz)	0.15	0.5	1.0	10	30
3	CM (dB)	38	50	50	50	54
	DM (dB)	20	36	60	65	70
6	CM (dB)	34	44	54	50	44
	DM (dB)	20	32	46	65	70
10	CM (dB)	26	36	44	50	44
	DM (dB)	20	32	44	60	70
16	CM (dB)	20	32	39	55	55
	DM (dB)	20	32	40	58	70
20	CM (dB)	14	22	30	50	58
	DM (dB)	20	32	40	54	70

Mouser Electronics

Authorized Distributor

Click to View Pricing, Inventory, Delivery & Lifecycle Information:

Astrodyne TDI:

[RP105-10-4.7-QD](#) [RP105-20-0-QD](#) [RP105-6-2.2-QD](#) [RP105-20-4.7-QD](#) [RP105-10-2.2-QD](#) [RP105-20-2.2-QD](#)
[RP105-10-2.2-W](#) [RP105-3-2.2-QD](#) [RP105-10-0-QD](#) [RP105-10-4.7-S](#) [RP105-10-4.7-W](#) [RP105-6-0-QD](#) [RP105-20-4.7-S](#) [RP105-20-.47-QD](#) [RP105-3-0-QD](#) [RP105-20-0-S](#)