

## Features

- Rated 12V, 5A
- Solder Tags
- Dual Connector.  
Accepts 2.1mm and 2.5mm plugs
- Tin Plated Contacts

## RS PRO Right Angle Dual DC Socket, Solder Tag

RS Stock No.: 805-1696



RS Professionally Approved Products bring to you professional quality parts across all product categories. Our product range has been tested by engineers and provides a comparable quality to the leading brands without paying a premium price.

## Product Description

RS Pro right angled DC power socket is designed to couple with push fit DC power plugs. This is a dual connector for use with 2.1 or 2.5mm plugs. Body is made from PBT for superior temperature characteristics. Applications include portable computers, electronic instruments, signal processors and power supplies

## General Specifications

DC Power Connector Type	DC Socket
Body Orientation	Right Angle
Body Material	PBT UL94V-0
Contact Material	Brass
Contact Plating	Tin Plated

## Mechanical Specifications

Mounting Type	Solder Tags
Pin Diameter	Accepts Ø2.1 or Ø2.5 plugs

## Electrical Specifications

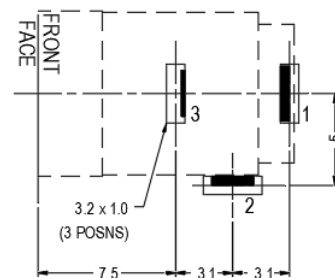
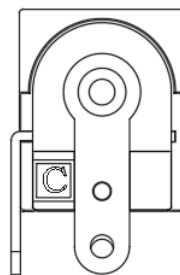
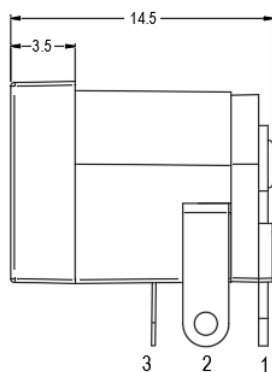
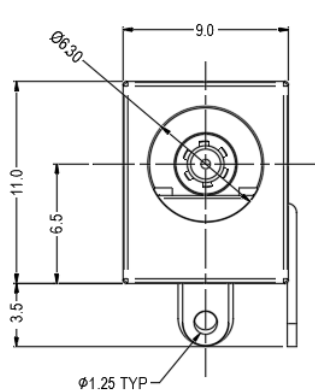
Current Rating	5A
Voltage Rating	12V DC
Insulation Resistance	>100MΩ @500V DC
Life	Min 5000 insertions

## Approvals

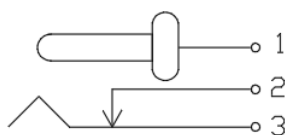
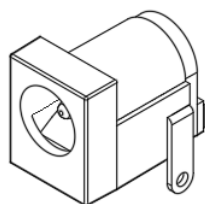
Standards Met	RoHS
---------------	------

## Similar Products

Stock No.	Brand	Product Name	Colour	Mounting Type
805-1699	RS PRO	Dual DC Socket	Black	PC Tags
143-8915	RS PRO	Dual DC Socket	White	Solder Tag
143-8916	RS PRO	Dual DC Socket	White	PC Tags



**PC LAYOUT**  
(COMPONENT SIDE  
- SOCKET OMITTED  
FOR CLARITY)



**SCHEMATIC**