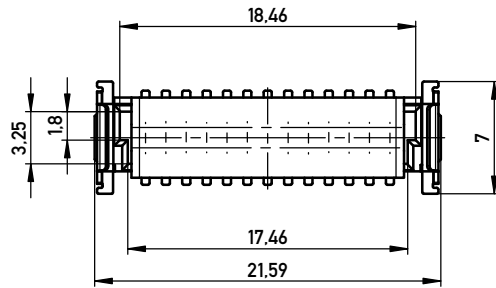
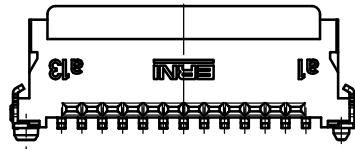
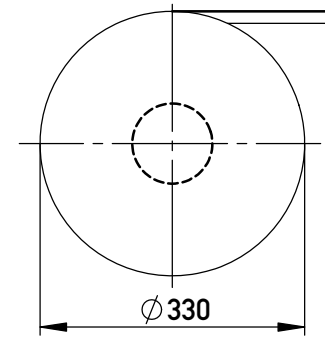
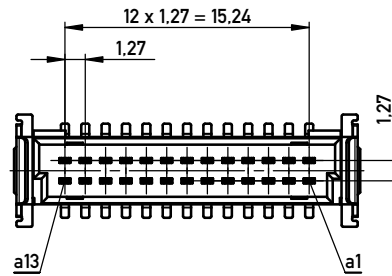


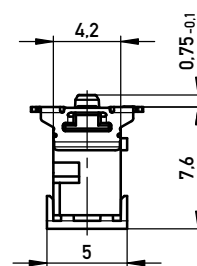
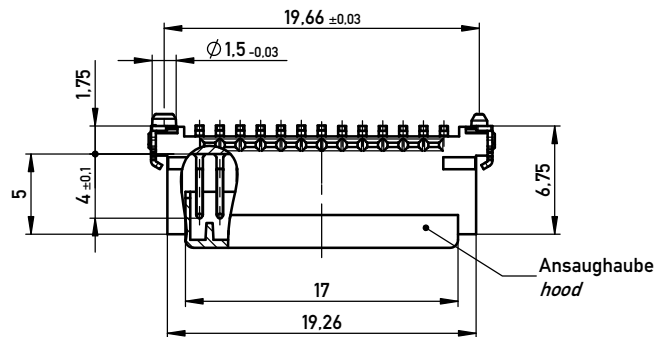
Verpackt in Gurtverpackung
Tape on Reel Packaging
 Verpackungseinheit: 280 Stück
Packaging unit: 280 pcs



ohne Ansaughaube - *without hood*



Abspulrichtung - *Reel off Direction*

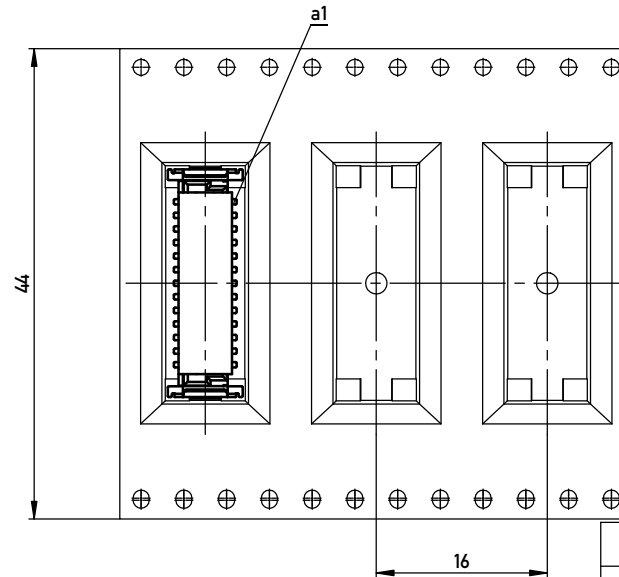


Anforderungsstufe 1
Performance Level 1

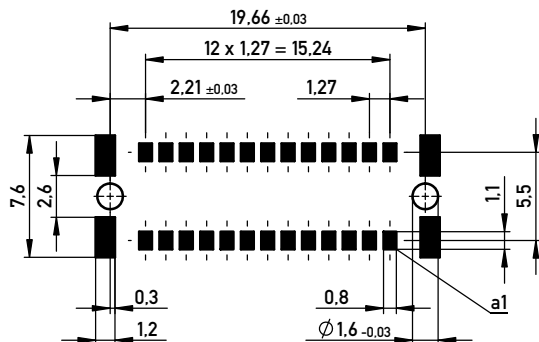
Kontaktbereich vergoldet
Mating Area gold plating

Anschlussbereich verzinkt 4-6 µm
Terminal Area 4-6 µm tin plating

Koplanarität der Anschlüsse ≤ 0,1 mm
Coplanarity Area of Termination ≤ 0,1 mm



Leiterplatten-Layout Vorschlag für SMT
PCB-Layout Proposal for SMT



BA 8-13 - 8mm Bauhöhe
type 8-13 - Low Profile

Information:		Tolerances	Scale 3:1	Designation	
All rights reserved. Only for Information. To ensure that this is the latest version of this drawing, please contact one of the ERNI companies before using.		All Dimensions in mm		Messerl. SMC-Q 26-SMD-BA8-13 Male SMC-Q 26-SMD-type 8-13	
Subject to modification without prior notice. Drawing will not be updated.		www.ERNI.com		244837	
d	22.07.2013	ERNI		I	
Index	Date	www.ERNI.com		A3	
Class			SMCQ		

Copyright by ERNI GmbH
 Proprietary notice pursuant to ISO 9006 to be observed.