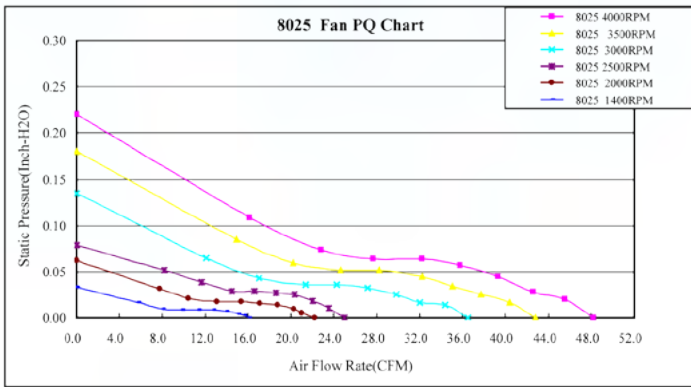


# EVERCOOL

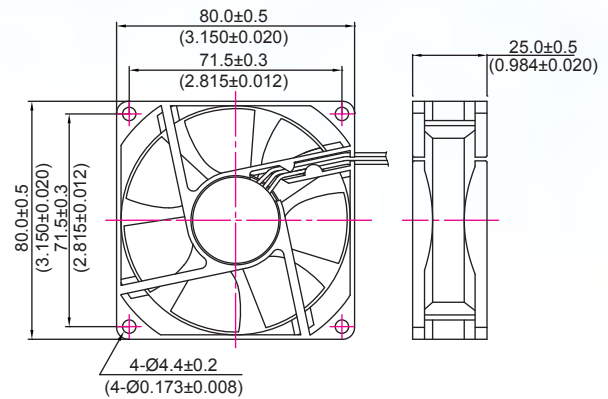
## 8025 series 80x80x25 mm



### P&Q Curve



### Dimensions Drawing



UNIT:MM/(INCH)

### Specifications

Model	Rated Voltage (VDC)	Rated Current (AMP)	Power Consumption (WATTS)	Speed Reference (RPM)	Air Flow (CFM)	Static Pressure (Inch-H <sub>2</sub> O)	Noise (dBA)
EC8025TH12X	12	0.34	4.08	4000	48.22	0.22	<37
EC8025HH12X	12	0.28	3.36	3500	42.83	0.18	<35
EC8025H12X	12	0.16	1.92	3000	36.48	0.14	<33
EC8025M12X	12	0.11	1.32	2500	25.02	0.08	<28
EC8025L12X	12	0.08	0.96	2000	22.26	0.06	<23
EC8025LL12X	12	0.06	0.72	1400	16.06	0.03	<15.3
EC8025SL12X	12	0.05	0.6	1200	14.61	0.03	<11.9
EC8025TH24X	24	0.22	5.28	4000	48.22	0.22	<37
EC8025HH24X	24	0.18	4.32	3500	42.83	0.18	<35
EC8025H24X	24	0.14	3.36	3000	36.48	0.14	<33
EC8025M24X	24	0.1	2.4	2500	25.02	0.08	<28
EC8025L24X	24	0.06	1.44	2000	22.26	0.06	<23

- ▶ Material: impeller & Frame: Plastic (UL 94V-0)
- ▶ Lead Wires: UL 1007 AWG #26 Or Equivalent  
Red Wire Positive(+), Black Wire Negative(-), Yellow Wire Or Blue Wire Signal(FG)
- ▶ Function type is optional.

- ▶ The max air flow and the speed are measured in free air; max air pressure is measured at zero air flow.
- ▶ Noise is measured in anechoic chamber in free air, one meter from intake side.
- ▶ All readings are typical values at rated voltage.
- ▶ Specifications are subject to change without notice.
- ▶ Additional special function may be added according to the requirement of customer.