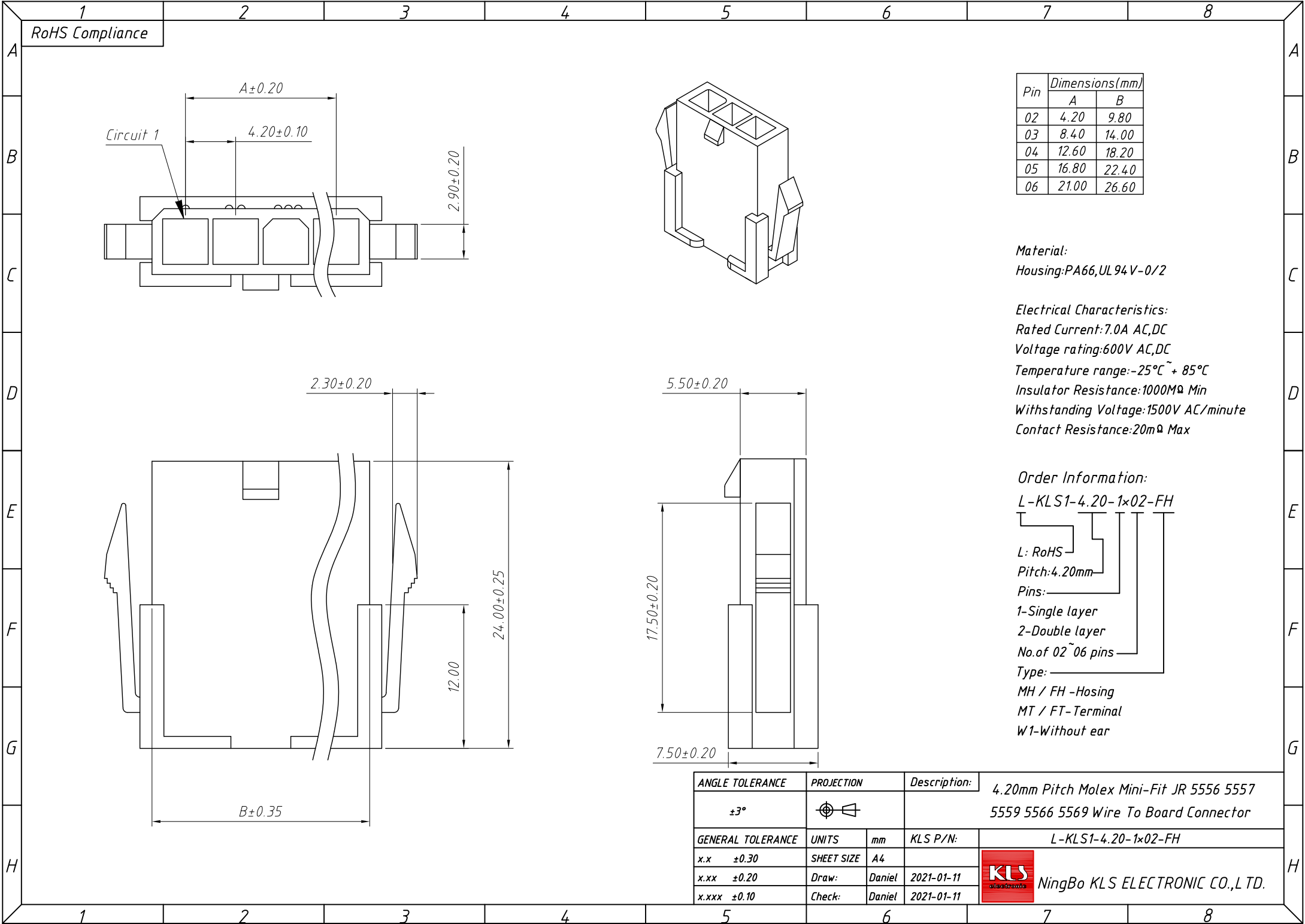


1
RoHS Compliance



Pin	Dimensions(mm)	
	A	B
02	4.20	9.80
03	8.40	14.00
04	12.60	18.20
05	16.80	22.40
06	21.00	26.60

Material:
Housing:PA66,UL 94 V-0/2

Electrical Characteristics:
Rated Current:7.0A AC,DC
Voltage rating:600V AC,DC
Temperature range:-25°C ~ + 85°C
Insulator Resistance:1000MΩ Min
Withstanding Voltage:1500V AC/minute
Contact Resistance:20mΩ Max

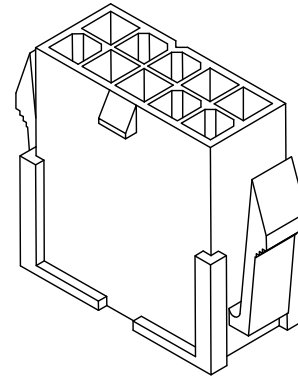
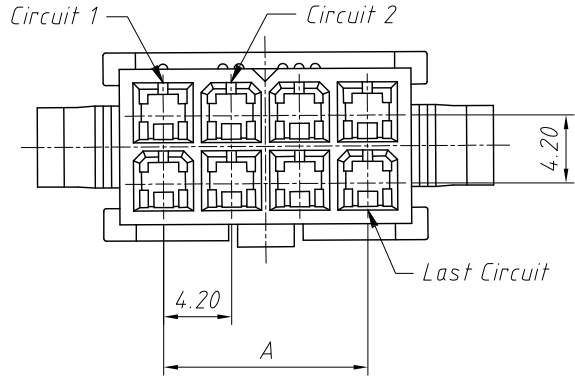
Order Information:
L-KLS1-4.20-1x02-FH

L: RoHS
Pitch:4.20mm
Pins:
1-Single layer
2-Double layer
No.of 02~06 pins
Type:
MH / FH -Hosing
MT / FT-Terminal
W1-Without ear

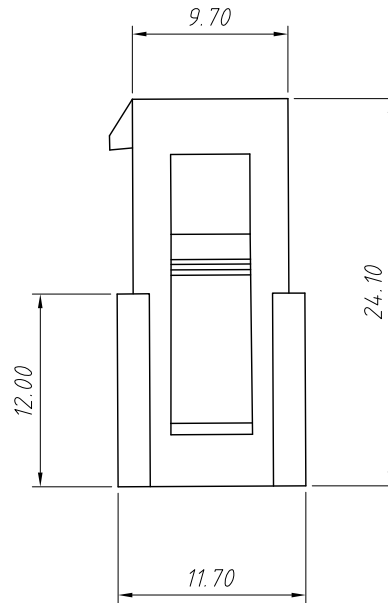
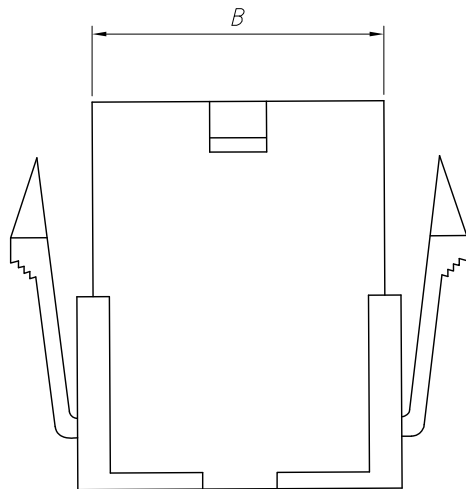
ANGLE TOLERANCE	PROJECTION	Description:	4.20mm Pitch Molex Mini-Fit JR 5556 5557 5559 5566 5569 Wire To Board Connector
±3°			
GENERAL TOLERANCE	UNITS	mm	KLS P/N: L-KLS1-4.20-1x02-FH
x.x ±0.30	SHEET SIZE	A4	
x.xx ±0.20	Draw:	Daniel	2021-01-11
x.xxx ±0.10	Check:	Daniel	2021-01-11



1 RoHS Compliance



Pin	Dimensions(mm)	
	A	B
2×01	---	5.60
2×02	4.20	9.80
2×03	8.40	14.00
2×04	12.60	18.20
2×05	16.80	22.40
2×06	21.00	26.60
2×07	25.20	30.80
2×08	29.40	35.00
2×09	33.60	39.20
2×10	37.80	43.40
2×11	42.00	47.60
2×12	46.20	51.80



Material:

Housing:PA66,UL 94V-0/2

Electrical Characteristics:

Rated Current:7.0A AC,DC

Voltage rating:600V AC,DC

Temperature range:-25°C ~ + 85°C

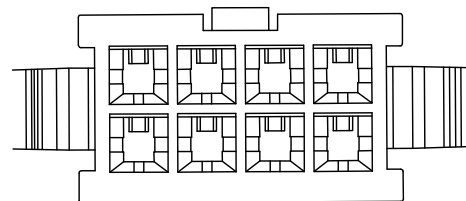
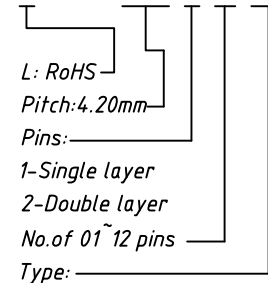
Insulator Resistance:1000M Ω Min

Withstanding Voltage:1500V AC/minute

Contact Resistance:20m Ω Max

Order Information:

L-KLS1-4.20-2×02-FH

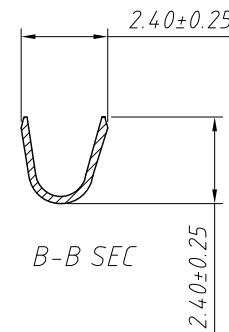
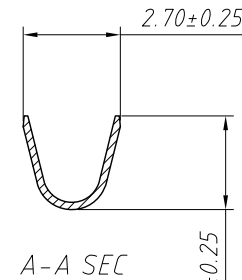
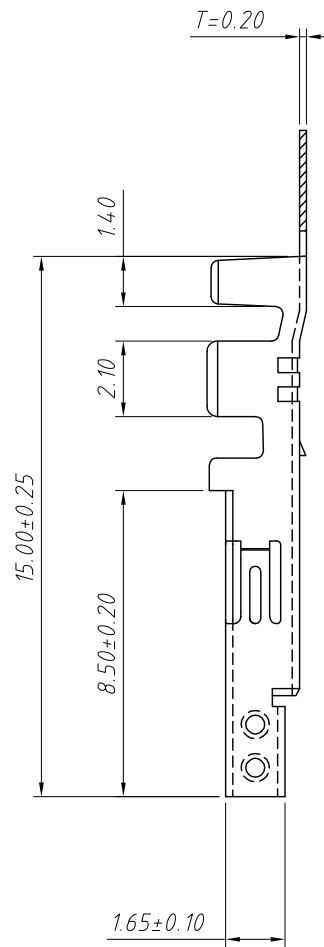
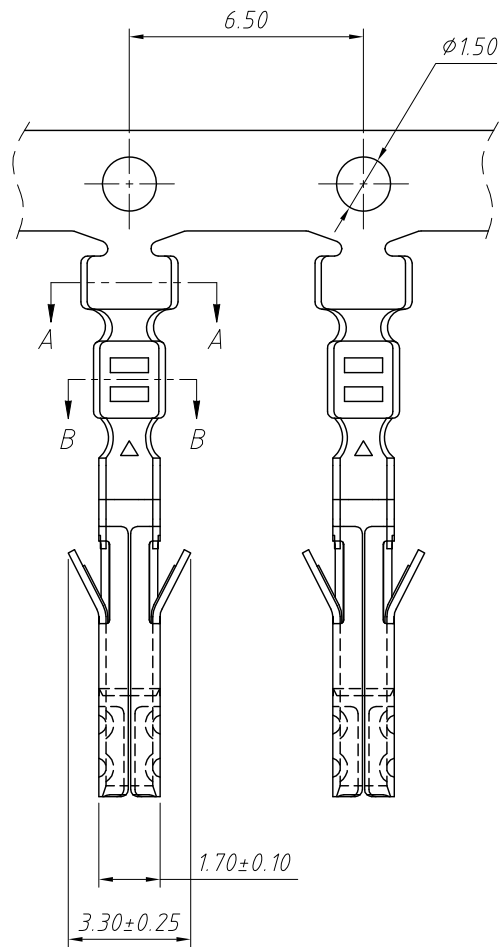


ANGLE TOLERANCE	PROJECTION	Description:	4.20mm Pitch Molex Mini-Fit JR 5556 5557 5559 5566 5569 Wire To Board Connector
$\pm 3^\circ$			
GENERAL TOLERANCE	UNITS	mm	KLS P/N:
x.x ± 0.30	SHEET SIZE	A4	L-KLS1-4.20-2×02-FH
x.xx ± 0.20	Draw:	Daniel	2021-01-11
x.xxx ± 0.10	Check:	Daniel	2021-01-11



NingBo KLS ELECTRONIC CO.,L TD.

1 RoHS Compliance



Material:
 Terminal: Brass or Phosphor Beccorded
 Finish: Tin Plated
 Applicable wire: AWG#20-#24

Electrical Characteristics:
 Rated Current: 7.0A AC,DC
 Voltage rating: 600V AC,DC
 Temperature range: $-25^{\circ}\text{C} \sim +85^{\circ}\text{C}$
 Insulator Resistance: $1000\text{M}\Omega$ Min
 Withstanding Voltage: 1500V AC/minute
 Contact Resistance: $20\text{m}\Omega$ Max

Order Information:

L-KLS1-4.20-FT

L: RoHS

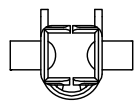
Pitch: 4.20mm

Type:

MH / FH -Hosing

MT / FT -Terminal

W1-Without ear



ANGLE TOLERANCE	PROJECTION	Description:	4.20mm Pitch Molex Mini-Fit JR 5556 5557 5559 5566 5569 Wire To Board Connector
$\pm 3^{\circ}$			
GENERAL TOLERANCE	UNITS	mm	KLS P/N: L-KLS1-4.20-FT
x.x ± 0.30	SHEET SIZE	A4	
x.xx ± 0.20	Draw:	Daniel	2021-01-11
x.xxx ± 0.10	Check:	Daniel	2021-01-11



NingBo KLS ELECTRONIC CO.,L TD.