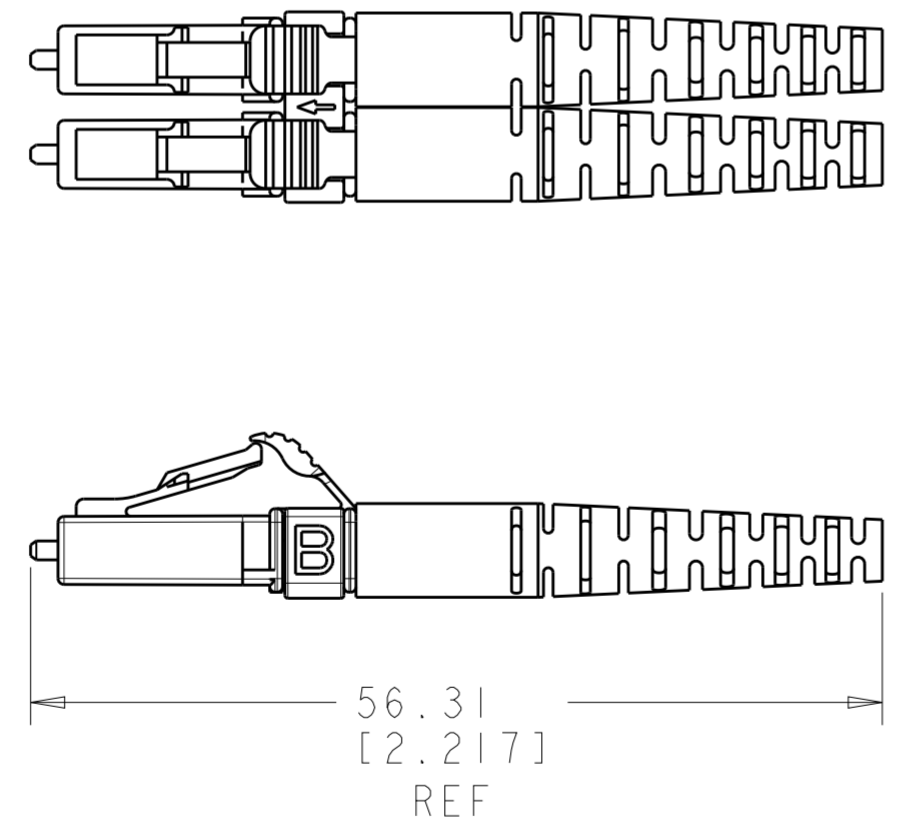
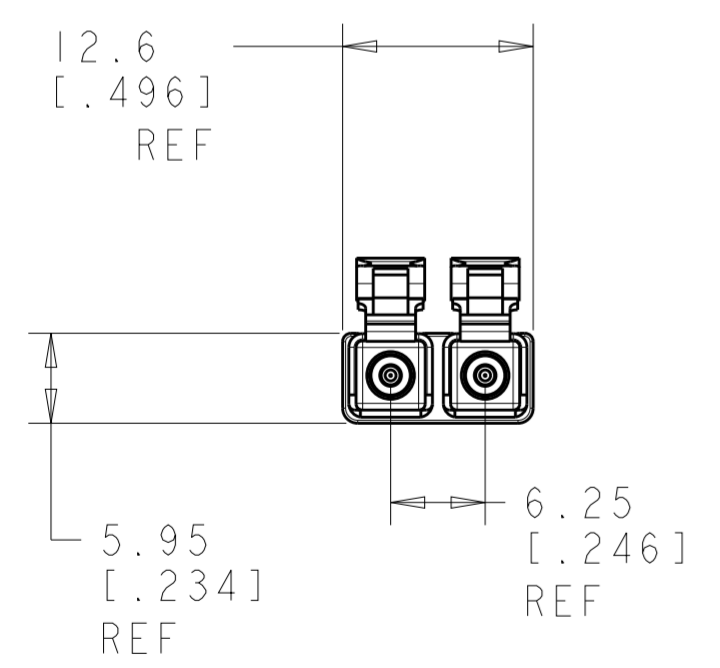


THIS DRAWING IS UNPUBLISHED. RELEASED FOR PUBLICATION 20
 © COPYRIGHT 20 BY - ALL RIGHTS RESERVED.

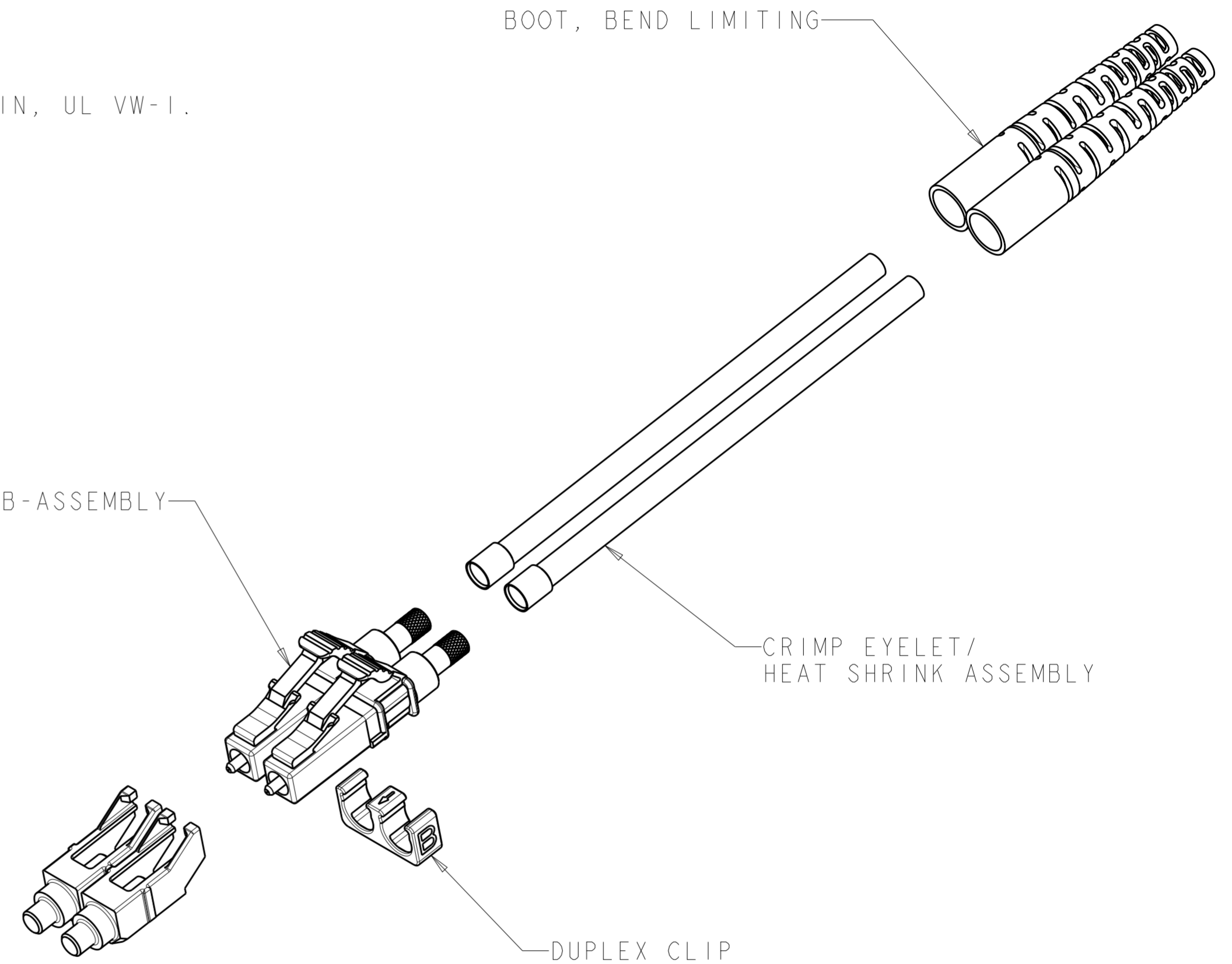
REVISIONS					
P	LTR	DESCRIPTION	DATE	DWN	APVD
B		ECR-14-019305	06JAN2015	KG	SM
BI		CORRECT DIMENSIONS	07JUL2017	KG	SM

⚠ MATERIAL: PROTECTIVE COVER: TPE, COLOR: BLACK, UL 94 HB. *
 FERRULE SUB ASSEMBLY: ZIRCONIA/ALUM. ALLOY
 COMPRESSION SPRING: STAINLESS STEEL.
 FRONT HOUSING: PPSU, COLOR (SEE TABLE), UL 94 V-0. *
 REAR BODY: ALUM. ALLOY
 DUPLEX CLIP: PEI, COLOR: BLACK, UL 94 V-0. *
 BOOT: PP, COLOR: (SEE TABLE), UL 94 V-0. *
 CRIMP EYELET/HEAT SHRINK ASSY: ALUM. ALLOY, HEAT SHRINK: POLYOLEFIN, UL VW-1.
 * RATED AT QUALIFYING THICKNESS.

2. THIS IS A NON-PULL PROOF LC CONNECTOR.
 IT IS DESIGNED FOR USE WITH TIGHT CONSTRUCTION OPTICAL CABLE.
 UNDER LOADS ENDFACE ABRASIONS MAY OCCUR.



CONNECTOR SUB-ASSEMBLY



BLUE	SINGLEMODE	2123524-2
BEIGE	MULTIMODE	2123524-1
COLOR	TYPE	PART NO.

THIS DRAWING IS A CONTROLLED DOCUMENT.		DWN B. BRIGGS 31 JAN 2011	TE Connectivity			
DIMENSIONS: mm [INCHES]		CHK S. MILLER 31 JAN 2011				
TOLERANCES UNLESS OTHERWISE SPECIFIED:		APVD S. MILLER 31 JAN 2011				
0 PLC ± 1 PLC ± 2 PLC ± 3 PLC ± 4 PLC ± ANGLES ± FINISH -		NAME CONNECTOR KIT, LC, DUPLEX, SM, JUMPER, TIGHT JACKET STYLE, 1.6 - 2.0mm				
MATERIAL		PRODUCT SPEC	SIZE	CAGE CODE	DRAWING NO.	RESTRICTED TO
		APPLICATION SPEC	A2	00779	C-2123524	-
		WEIGHT	Customer Drawing		SCALE	SHEET
					2:1	OF 1
						REV BI