

MEGA® BOLT-DOWN FUSE BLOCK



Description

Use with MEGA® fuses up to 500 amps. Ideal for battery and alternator connections and other heavy gauge cables requiring ultra high current protection. Includes protective cover. Features interconnecting pins on side of fuse block for secure multiple block configurations. Includes M8 threaded studs and hex nuts with lock washers. Fuse not included.

Features and Benefits

- Interlocking pins for connecting multiple blocks to fit your application.
- Includes M8 hex nuts and lock washers
- Uses MEGA fuses for protection between 40A and 500A.

Specifications Overview

Max Fuse Rating:	500A
Voltage:	32V
Mounting Torque:	5 Nm
Studs:	M8 threaded
Included Hardware:	Hex nuts with lock washers

Applications

- Body Builders
- Medium Duty Vehicles

Web Resources

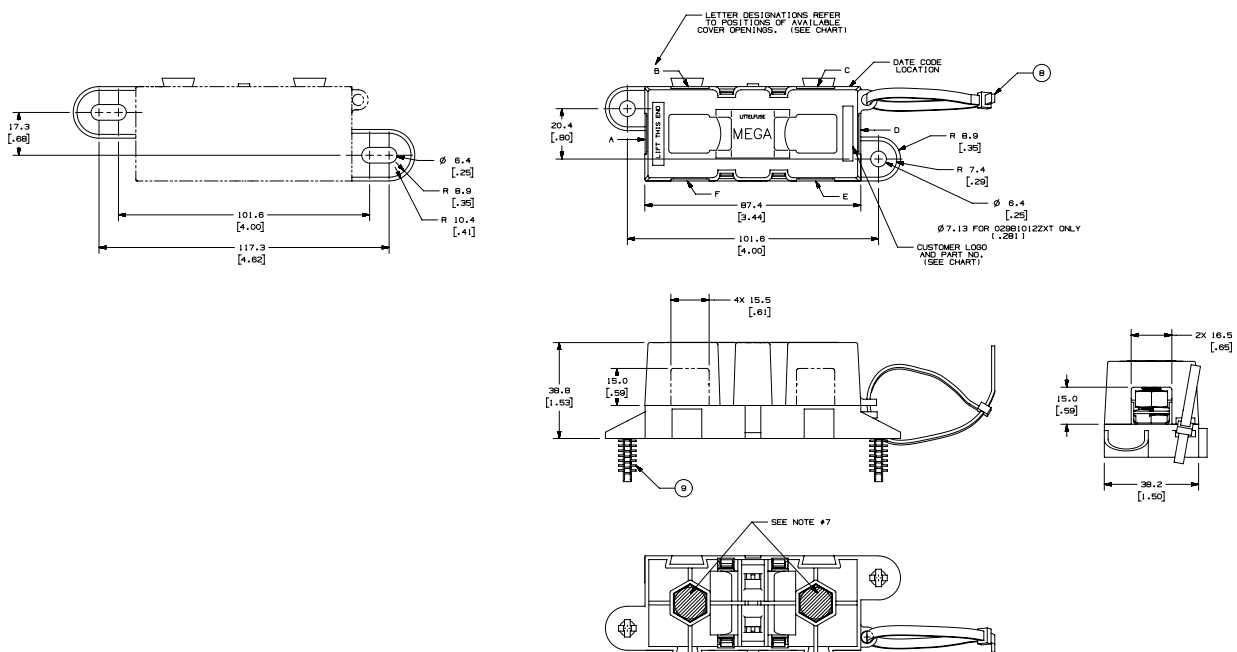
Download 2D print and technical resources at:
littelfuse.com/298

Ordering Information

PART NUMBER	QUANTITY	VOLTAGE	AMPERAGE
02981001ZXT	Bulk 160	32V DC	500A
02980900Z	Bulk 70	32V DC	500A
02980900S	Bulk 20	32V DC	500A
02980900TXN	Bulk 10	32V DC	500A

See Page 2 for Additional Configurations and Part Numbers

Dimensions in millimeters



Ordering Information

PART NUMBER	BULK QUANTITY	MAX AMPERAGE	POLES	BASE STYLE	COVER OPENINGS	FUSE INCLUDED	HEX NUT	TETHER	RACHET FASTENER
02980900S	20	500	1	1	A & D	–	M8	Yes	No
02980900TXN	10	500	1	1	A & D	–	M8	Yes	No
02980900Z	70	500	1	1	A & D	–	M8	Yes	No
02981001ZXSS	100	500	1	1	A & D	–	None	Yes	No
02981001ZXZT	160	500	1	1	A & D	–	M8	Yes	No
02981002ZXSS	100	500	1	2	A & D	–	None	Yes	No
02981002ZXZT	140	500	1	2	A & D	–	M8	Yes	No
02981003ZXZT	160	500	1	1	A, B, C, D, E, F	–	M8	Yes	No
02981004ZXZT	160	500	1	1	A, C, F	175	None	Yes	No
02981005ZXZT	160	500	1	1	A, C, D, E	–	M8	Yes	No
02981006ZXZT	160	500	1	1	A, B, C, D, E, F	175	M6 w/ Flange	No	Yes
02981007ZXZT	140	500	1	2	A, E	200	M8	No	No
02981008ZXZT	140	500	1	2	A, D, E	200	M8	No	No
02981010ZXZT	160	500	1	1	A, C, D, E	450	M8	Yes	No
02981011ZXZT	160	500	1	2	C, E, F	450	M8 Locknut w/ Flange	Yes	No
02981012ZXZT	160	500	1	1	B, C, E, F	–	M8	Yes	No
02981013ZXZT	160	500	1	1	B, C	175	M6 w/ Flange	No	Yes
02981014ZXZT	160	500	1	1	A, D	100	None	Yes	No
02981015ZXZT	140	500	1	2	A, C, E	200	M8	No	No
02981017ZXZT	160	500	1	1	A, B, C, D, E, F	250	M6 w/ Flange	No	No
02981018ZXZT	160	500	1	1	A & D	400	M8 Locknut w/ Flange	Yes	Yes
02981019ZXZT	140	500	1	2	B, C, F	–	None	Yes	No
02981022ZXZT	160	500	1	1	A, B, C, D	–	M8	Yes	No
02981024ZXZT	160	500	1	1	D, F	–	M8	Yes	No
02981025ZXZT	160	500	1	2	B, C	150	None	Yes	No
02981026ZXZT	140	500	1	2	E, F	150	M8 Locknut w/ Flange	Yes	No
02981027ZXZT	140	500	1	2	B, E	500	None	Yes	No
02981030ZXZT	160	500	1	1	B, C	–	M8	Yes	Yes
02981034ZXZT	160	500	1	1	E, F	–	M8	Yes	No
02981035ZXZT	160	500	1	2	B, E	100	M8 w/ Flange	Yes	No
02981036ZXZT	140	500	1	2	A, B, C, D, E, F	–	None	No	No
02981039ZXZT	–	500	1	2	A, B, C, D, E, F	–	None	Yes	No
02981040ZXZT	–	500	1	2	B, C, D	500	None	No	No
02982002ZXZT	60	500	2	1	A, C, F / A, B, C, E	175 / 175	1x M8	Yes	No
02982003ZXZT	60	500	2	1	D, E, F / A, D	100 / 175	1x M8 Locknut w/ Flange	Yes	No
02982004ZXZT	60	500	2	1	A, B / B, C, F	175 / open	1x M8 Locknut w/ Flange	Yes	No
02982006ZXZT	60	500	2	2	C, F / B, D, E	250 / 450	3x M8 w/ Flange	Yes	No
02982007ZXZT	60	500	2	2	C, F / B, D, E	250 / 300	3x M8 Locknut w/ Flange	Yes	No
02982008ZXZT	60	500	2	2	C, F / B, D, E	250 / 400	3x M8 w/ Flange	Yes	No
02982009ZXZT	60	500	2	2	A, C / B, D, E	250 / 250	4x M8 w/ Flange	Yes	No
02982011ZXZT	60	500	2	2	C, E, F / B, C, E	350 / 450	1x M8 w/ Flange	Yes	No
02983000ZXZT	40	500	3	1	A, E / A, C, E / A, C, E	150 / 100 / 150	2x M8	Yes	No
02983002ZXZT	40	500	3	2	A, C, E / A, C, E / A, C	50 / 175 / 175	2X M8 Locknut w/ Flange	Yes	No
02983003ZXZT	40	500	3	2	A, E / A, C, E / A, C, E	175 / 175 / 400	3X M8 Locknut w/ Flange	Yes	No
02983004ZXZT	40	500	3	2	B, E / A, C, E / C, E, F	100 / 225 / 450	3X M8 Locknut w/ Flange	Yes	No
02983005ZXZT	40	500	3	2	B, E / A, C, D, E / C, F	250 / 250 / 400	5X M8 w/ Flange	Yes	No
02983006ZXZT	40	500	3	2	B, E / A, C, D, E / C, F	250 / 250 / 450	5X M8 w/ Flange	Yes	No
02984000ZXZT	–	500	4	1	A, E / A, C, E / A, C, E / A, C, E	150 / 100 / 150 / 100	3x M8	Yes	No

Mouser Electronics

Authorized Distributor

Click to View Pricing, Inventory, Delivery & Lifecycle Information:

Littelfuse:

[02982001ZXT](#) [02980900Z](#) [02981001ZXT](#) [02981003ZXT](#) [02982011ZXT](#) [02981035ZXT](#) [02981036ZXT](#)
[02981015ZXT](#) [0813020.XPA](#) [0813030.XPA](#) [0813040.XPA](#) [LJCA025.XPA](#) [00970025N](#) [0MID080.XP](#) [0MID050.XP](#)
[ZCAS200.XP](#) [00940570ZXA](#) [ZCAS225.XP](#) [0MRS0009ZXA](#) [0MEG080.X](#) [0ELC0449X](#) [0813050.XPA](#) [00970054N](#)
[ZCAS175.XP](#) [JCAS025.XPA](#) [ZCAS100.XP](#) [00970054XPA](#) [0FLR30WWX](#) [JCAS025.X](#) [FHLM0200ZPA](#)
[0MEG080.XPA](#) [ZCAS150.XP](#) [ZCAS125.XP](#) [00970025XPA](#) [ZCAS250.XP](#) [ZCAS080.XP](#) [FHLM0200Z](#) [0ELC0455X](#)
[00940154ZP](#) [02980900TXN](#) [0MIN025.VPGLOA](#) [0MIN015.VPGLOA](#) [0ATO030.TPGLOA](#) [0ATO005.VPGLOA](#)
[0UCB020.XPA](#) [0MIN025.TPGLOA](#) [MIC2030.V](#) [MIC2020.V](#) [MIC3015.VP](#) [0MIN030.VPGLOA](#) [0ATO010.TPGLOA](#)
[0MIN020.TPGLOA](#) [LMIN030.ZXPROA](#) [MIC2010.V](#) [MCAS015.V](#) [MCAS025.V](#) [MCAS040.V](#) [MIC2005.V](#) [MIC307.5VP](#)
[LMIN015.ZXPROA](#) [MIC2015.V](#) [MIC3010.V](#) [LMIN005.ZXPROA](#) [0CBF015.XPA](#) [LMIN010.ZXPROA](#)
[LMIN025.ZXPROA](#) [MCAS020.V](#) [MIC3010.VP](#) [0CBF030.XPA](#) [0FHA0030XPA](#) [0ATD0300ZBPA](#) [MIC3015.V](#)
[MCAS030.V](#) [MIC307.5V](#) [0FHA0001XPGLOA](#) [MIC3005.V](#) [LMIN020.ZXPROA](#) [MIC207.5V](#) [0FCB020.XPA](#)
[0FNY0020XPA](#) [0ATD0200XBPA](#) [0CBF020.XPA](#) [0FLR0761XPA](#) [0FNY0001XPA](#) [0CBF040.XPA](#) [0FLR0234XPA](#)
[0UCB005.XPA](#) [0UCB015.XPA](#) [0UCB025.XPA](#) [MIC2025.V](#) [MIC3005.VP](#) [0UCB030.XPA](#) [0CBF035.XPA](#)
[0UCB008.XPA](#) [0MIN030.TPGLOA](#) [0MIN020.VPGLOA](#) [0UCB006.XPA](#) [0FHA0002XPA](#) [0FHA0001XPA](#)
[0FLR0246XPA](#)