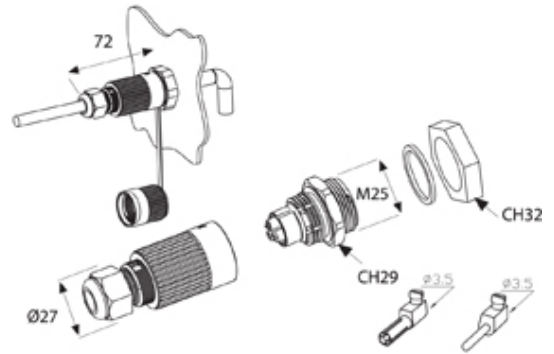


THB.385.A1A

TeePlug panel mount 3 pole Screw terminal 7mm to 12mm cable diameter, 4 mm max conductor size IP66-68 17A 400V 1 cable entry



SPECIFICATION

Cable Entries	1
Number of Poles	3
Terminal Type	Screw
Body Material	PA66
Max Conductor Size (Sq mm)	4
Max Current (A)	17
Max Voltage (V)	400
Minimum Temp Rating °C	-40
IP Rating	66-68
Max Temp Rating °C	125
Fixing System	Panel mount
Maximum Cable Diameter (mm)	12
Minimum Cable Diameter (mm)	7
Temperature "T" Rating	T85