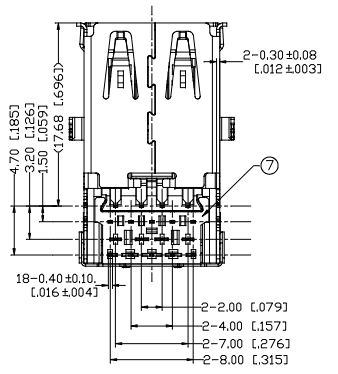
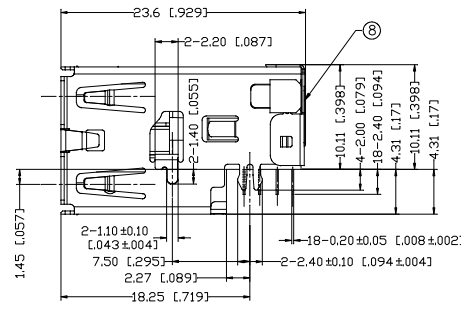
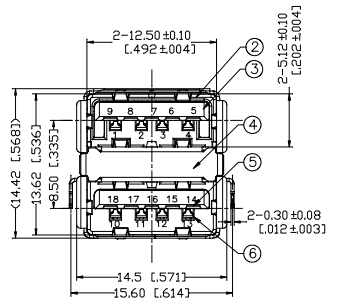


RECOMMENDED P.C.B. LAYOUT (COMPONENT SIDE VIEW)
THK=1.60[.063] ALL TOL IS ±0.05[.002]

SPECIFICATIONS :

- ELECTRICAL CHARACTERISTICS :
 - CONTACT CURRENT RATING : 1.8 A FOR VBUS PIN AND ITS CORRESPONDING GND PIN, 0.25 A MIN FOR ALL OTHER CONTACTS.
 - CONTACT RESISTANCE : INITIAL 30 MILLIOHMS MAX FOR VBUS AND GND CONTACTS. INITIAL 50 MILLIOHMS MAX FOR ALL OTHER CONTACTS. AFTER DURABILITY 10 MILLIOHMS MAX CHANGE.
 - DIELECTRIC WITHSTANDING VOLTAGE: 100 VAC MIN.
 - INSULATION RESISTANCE : 100 MEGOHMS MIN.
- MECHANICAL CHARACTERISTICS :
 - CONNECTOR MATING FORCE : 35 N MAX.
 - CONNECTOR UNMATING FORCE: 10N MIN INITIAL, 8N MIN AFTER DURABILITY.
 - DURABILITY: 5000 CYCLES.
 - OPERATING TEMPERATURE : -55°C TO +85°C
- DIMENSIONS ARE IN MILLIMETERS, BRACKETED DIMENSIONS ARE INCHES EQUIVALENTS.
- RECOMMENDED PROCESS: IR REFLOW SOLDERING, TIME OVER LIQUIDUS(217°C.): 60-150 SECONDS. PEAK TEMP: 260+0/-10°C, 10 SECONDS MAX.
- THE CONNECTOR IS ROHS COMPLIANT AND HALOGEN FREE.



PRODUCT NO: UE A 1 1 2 3-8 B4 1 4-7 H

Product Family: UE = USB 3.0 Connector
 Product Series: A = A TYPE
 Contact type: 1 = Receptacle (Female)
 Termination Type: 1 = Right Angle T/H
 No.of Contact Pos.: 2 = 18 pos
 Contact Area Plated: 3 = 30u" Min. Gold Plating

Green Code: H = Halogen Free
 Package Type: 7 = Tape&Reel
 Water Flow Code: 1 = Black High temp Housing + Ni Plating
 Housing Color + Shell Plating: 1 = Black High temp Housing + Ni Plating
 Center Height: B4 = -1.45
 Product Configuration: 8 = Double stacked

PIN ASSIGNMENT:

Pin No.	1	2	3	4	5	6	7	8	9
Pin No.	10	11	12	13	14	15	16	17	18
Signal Name	VBUS	D-	D+	GND	STDA_SSRX-	STDA_SSRX+	GND_DRAIN	STDA_SSTX-	STDA_SSTX+
Remark	USB2 Contact Pin				USB3 Contact Pin				

8	REAR SHELL	1	STAINLESS STEEL	CLEAN.
7	SPACER	1	THERMOPLASTIC UL 94V-0	MOLDED COLOR:BLACK.
6	USB2 CONTACT	8	PH/BR C5191	30u" Au MIN PLATED AT CONTACT AREA, 100-200u" MATTE TIN ALLOY (LEAD FREE) AT TERMINATION, 100-200u" NICKEL UNDERPLATING OVER ALL.
5	USB3 CONTACT	10	BRASS C2680	
4	FINGER	1	STAINLESS STEEL	CLEAN.
3	INNER INSULATOR	2	THERMOPLASTIC UL 94V-0	MOLDED COLOR: BLACK
2	HOUSING	1	THERMOPLASTIC UL 94V-0	MOLDED COLOR:BLACK.
1	FRONT SHELL	1	STAINLESS STEEL	Pd FLASH PLATED AT PADS AND HOOKS, NICKEL UNDERPLATING.
ITEM	DESCRIPTION	Q'TY	MATERIAL	TREATMENT

X.±	X.*±	UNITS mm[inch]	NAME(INTENDED USE) CUSTOMER	FOXCONN® FOXCONN INTERCONNECT TECHNOLOGY LIMITED.
.X± 0.38[.015]	.X*±	MAT'L	PART NO.(INTENDED USE) UEA1123-8B414-7H	
.XX± 0.25[.010]	.XX*±	N/A	APPD: Dean Zhang 11/7/2016	CLASS: <input type="checkbox"/> CONFIDENTIAL <input type="checkbox"/> SECRET <input checked="" type="checkbox"/> GENERAL
.XXX±	.XXX*±	FINISH	CHKD: David Wang 11/7/2016	TITLE: USB3.0 StdA RIGHT ANGLE SINK DUAL STACKED
		Q'TY	DRAW: Crystal Cai 11/7/2016	DWG NO.: 327-0000-3424
				SCALE SHEET REV. N/A 1/1 A

THESE DRAWINGS AND SPECIFICATIONS ARE THE PROPERTY OF FOXCONN INTERCONNECT TECHNOLOGY LIMITED, AND SHALL NOT BE REPRODUCED, COPIED OR USED IN ANY MANNER WITHOUT THE PRIOR WRITTEN CONSENT OF FOXCONN INTERCONNECT TECHNOLOGY LIMITED.