

Chrome Plated Brass Line Mounting Hydraulic Ball Valve G 1/2

RS Stock number **486-350**



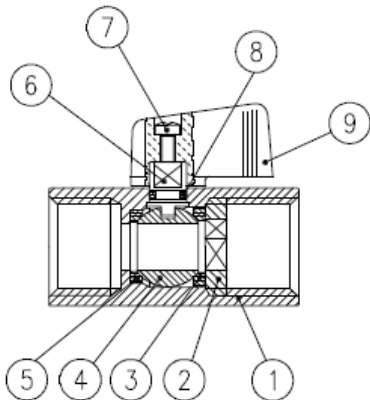
Features and Specifications:

- * Patent n. 7011-B/89,
- * One piece drawn sand blasted brass body with extremely compact design,
- * Approved by VTT (SF), GOST-R (RU), Hygenic (RU), ROSTEKHNADZOR (RU),
- * Finest brass according to EN 12164 specification,
- * Each valve is seal tested for maximum safety,
- * Pure PTFE self-lubricating seats with flexible-lip design,
- * Dual sealing system allows valve to be operated in either direction making installation easier,
- * Chrome plated brass ball for longer life,
- * No metal-to-metal moving parts,
- * No maintenance ever required,
- * Blowout-proof brass stem with FPM O-ring,

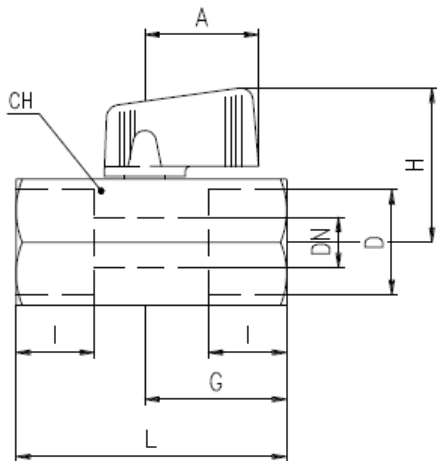
- * Reinforced nylon black wedge handle removable with valve in service,
- * Handle/stem clearly show ball position,
- * ISO 228 parallel threads,
- * Silicone-free lubricant,
- * 30 bar (Kg/cm²) non-shock cold working pressure,
- * -20°C +90°C temperature (+120°C screw driver version and metal wedge handle).

Options:

- * Male by Female threads,
- * ISO 7/1 BSPT Taper threads,
- * NPT taper ANSI B.1.20.1 threads,
- * Dezincification Resistant brass CW602N,
- * Aluminum body,
- * Nylon wedge handle yellow, red or green,
- * Metal wedge handle available in colours red, black, yellow, green, light blue, chrome plated,
- * Grey wedge handle in Grivory® - high performing polymer,
- * Screw driver or wrench operated,
- * Additional connection options on demand.



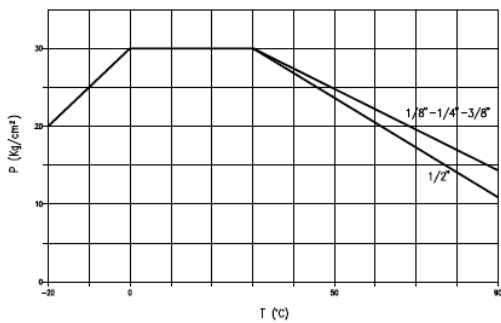
PART DESCRIPTION	Q.ty	Material
1 Chrome plated body	1	CW617N
2 Retainer nut	1	CW617N
3 Retainer seat	1	Ptfe
4 Chrome plated ball	1	CW617N
5 Body seat	1	Ptfe
6 Unplated stem	1	CW617N
7 Zinc plated screw	1	CB4FF
8 O-Ring	1	FPM
9 Black handle	1	Nylon glass filled 30%



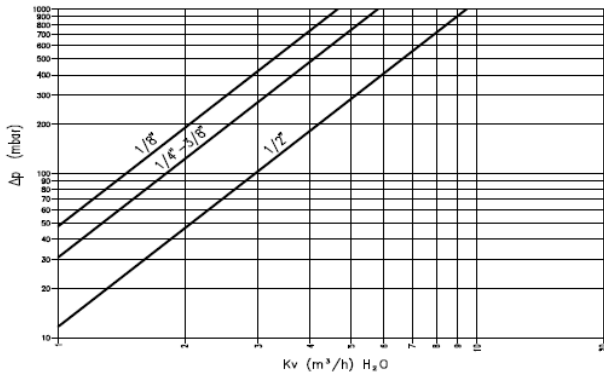
PATENTED

Code	S35AF0	S35BF0	S35CF0	S35DF0
D (inch)	1/8	1/4	3/8	1/2
DN(mm)	6	8	8	10
I (mm)	10	11	11	13
L (mm)	41.5	41.5	41.5	49
G (mm)	22	22	22	26
A (mm)	22.5	22.5	22.5	22.5
H (mm)	31	31	31	33
CH(mm)	21	21	21	25

Pressure -Temperature chart



Pressure drop chart



Code	S35AM0	S35BM0	S35CM0	S35DM0
D (inch)	1/8	1/4	3/8	1/2
DN (mm)	5	8	8	10
I (mm)	10	11	11	13
L (mm)	41.5	41.5	41.5	49
G (mm)	22	22	22	26
A (mm)	22.5	22.5	22.5	22.5
H (mm)	31	31	31	33
CH (mm)	21	21	21	25