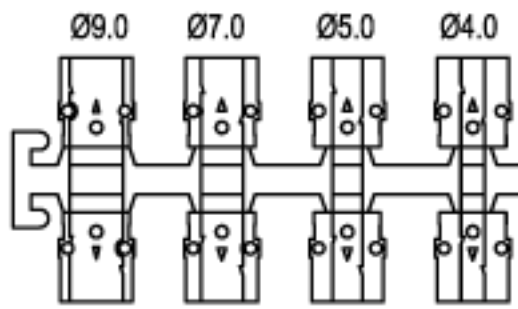
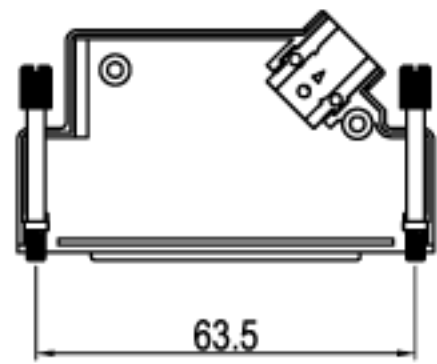
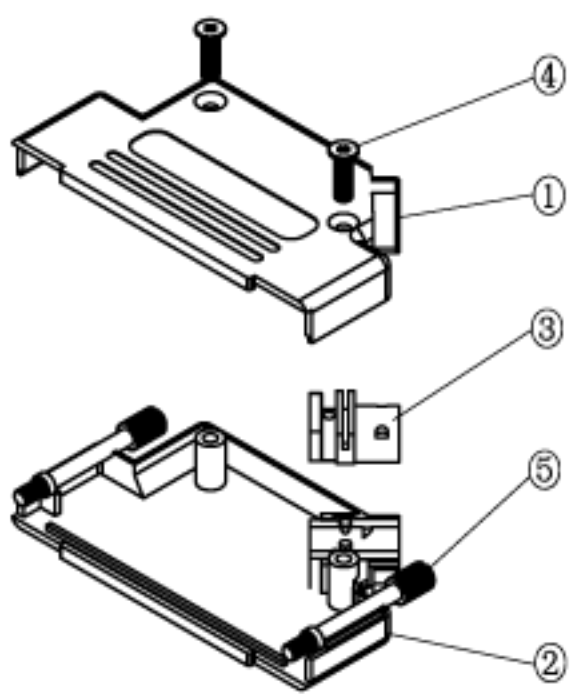
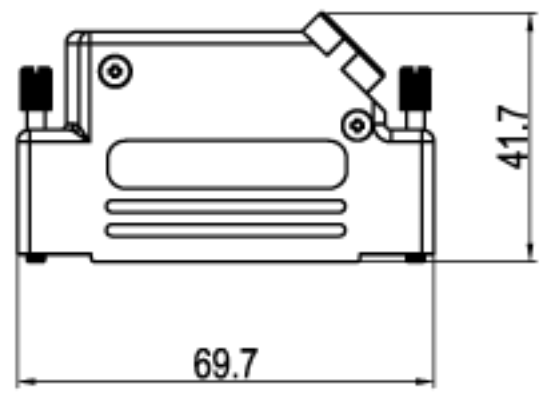
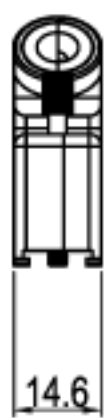


No.	Changes and/or Note No.	Date	Intr	No	Changes and/or Note No.	Date	Intr
-----	-------------------------	------	------	----	-------------------------	------	------



Part Number:	Description:	Pack:	1	1	Top MHD45ZK-37	Cover
			2	1	Bottom MHD45ZK-37	Cover
6560-0106-14	MHD45ZK-37-K	SINGLE	3	1	D45ZK-D1	Grommet
			4	2	M3X10	Screw
6561-0106-14	MHD45ZK-37	BULK	5	2	UNC 4-40X32.5	Jack screw
			6			
			7			
			Item	QTY	Part Number	Description

DATE: 2008-11-21	DRAWN: YGY	SCALE:	MATERIAL TYPE:
Auditing:	APPROVED: MRR		REPLACES:



# MHD45ZK-SERIES

DRAWING No:	
-------------	--