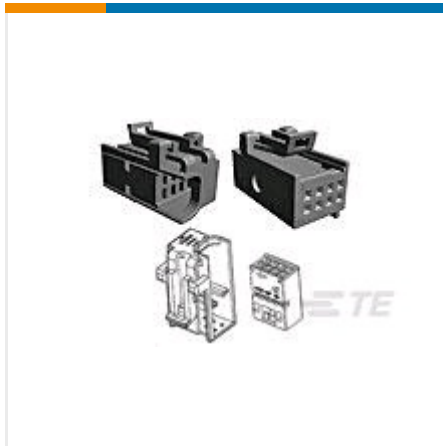




**CONNECTORS**

AUTOMOTIVE, TRUCK, BUS, & OFF-ROAD HOUSINGS



✓ Active

TE CONNECTIVITY (TE)

## SOCKET CONN. 8 POS. KIT X MQS

AMP | MQS

1745000-3

TE Internal Number: 1745000-3

EU RoHS Compliant

EU ELV Compliant

**Connector Style** Housing for female terminals

**Mating Tab Width** .63 mm [ .025 in ]

**Connector System** Wire-to-Wire

**Number of Positions** 8

**Centerline (Pitch)** 2.54 mm [ .1 in ]

[↓ PRODUCT DRAWING](#)  
English

[↓ 3D PDF](#)

### DOCUMENTATION

Product Drawings

#### **SOCKET CONNECTOR, 8 POS. KIT FOR MICRO QUADLOK SYSTEM**

PDF (TIFF AVAILABLE)

English

CAD Files

#### **Customer View Model**

3D\_IGS.ZIP

English

#### **Customer View Model**

3D\_STP.ZIP

English

## Customer View Model

2D\_DXF.ZIP

English

## 3D PDF

PDF

English

Product Specifications

Application Specification

## SOCKET CONNECTOR, 8 POS. KIT FOR MICRO QUADLOK SYSTEM CONTACTS

PDF

English

Product Specification

## 8 POSITIONS MICRO QUADLOK SYSTEM

TIF

English

## 8 POSITIONS MICRO QUADLOK SYSTEM

PDF

English

## FEATURES



Please review product documents or [contact us](#) for the latest agency approval information.

Please Note: Use the Product Drawing for all design activity.

### Product Type Features

**Connector Style** Housing for female terminals

**Connector System** Wire-to-Wire

**Sealable** No

**Hybrid Connector** No

**Primary Locking Feature** Integrated in Housing

**Strain Relief** No

**Row-to-Row Spacing (mm)** 3, 3.2

**Row-to-Row Spacing (in)** .118, .126

### Configuration Features

**Number of Positions** 8

**Number of Rows** 2

### Electrical Characteristics

**Nominal Voltage Architecture (V)** 12, 24

**Operating Voltage (VDC)** 24

### Body Features

**Color** Black

**Cable Exit Angle** 180°

**Body Material** PA GF

## Contact Features

**Mating Tab Width** .63 mm [ .025 in ]

---

## Mechanical Attachment

**Mounting Feature** No

**Terminal Position Assurance** Yes

**Polarized** Yes

---

## Housing Features

**Centerline (Pitch)** 2.54 mm [ .1 in ]

---

## Dimensions

**Width** 11.3 mm [ .445 in ]

**Height** 16.6 mm [ .654 in ]

**Length** 11.3 mm [ .445 in ]

---

## Usage Conditions

**Operating Temperature Range** -25 – 85 °C [ -13 – 185 °F ]

---

## Operation/Application

**Circuit Application** Signal

---

## Industry Standards

**Degree of Protection** Other

---

## Packaging Features

**Packaging Method** Box

**Packaging Quantity** 2000

---

## Other

**Connector Position Assurance Capable** No

**Customer** GEN

**Serviceable** No

---

## PRODUCT COMPLIANCE



Statement of Compliance

**Statement of Compliance**

PDF

---