

# Customer Information Sheet

DRAWING No.: M50-300XX45

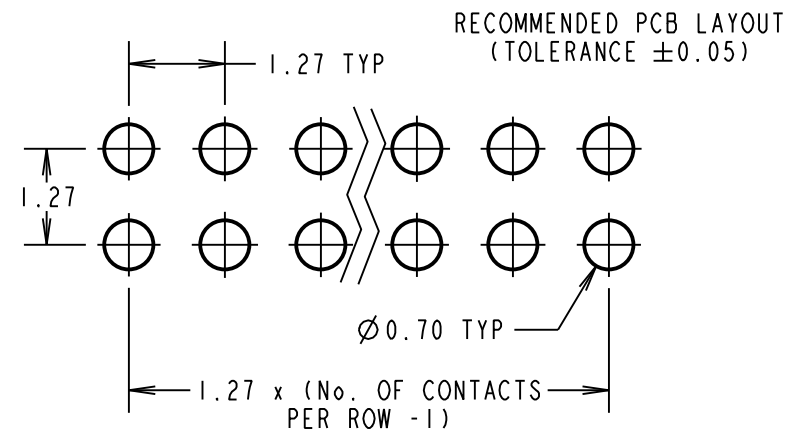
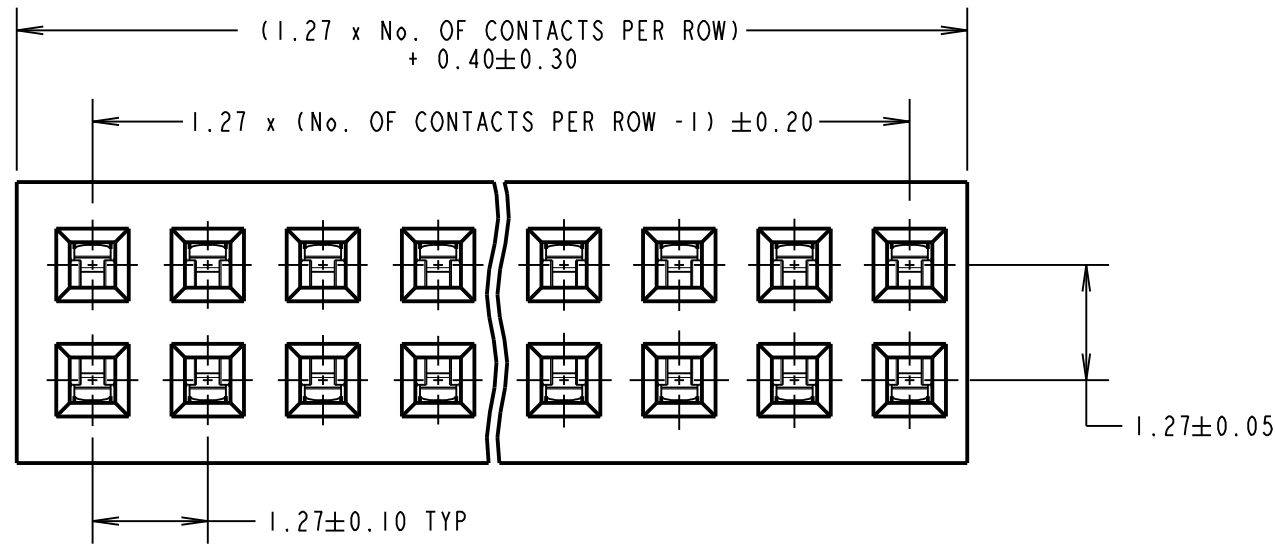
IF IN DOUBT - ASK

©

NOT TO SCALE

THIRD ANGLE PROJECTION

ALL DIMENSIONS IN mm



**SPECIFICATIONS:**

**MATERIAL:**  
 MOULDING = NYLON 6T, UL94V-0, BLACK  
 CONTACT = PHOSPHOR BRONZE

**FINISH:**  
 45 = GOLD OVER NICKEL

**ELECTRICAL:**  
 CURRENT RATING = 1A  
 VOLTAGE PROOF = 1000V ACrms/DC  
 CONTACT RESISTANCE = 20mΩ MAX  
 INSULATION RESISTANCE = 1,000 MΩ MIN

**MECHANICAL:**  
 DURABILITY = 300 CYCLES MIN  
 CONTACT INSERTION FORCE = 1.50N MAX  
 CONTACT WITHDRAWAL FORCE = 0.10N MIN

**ENVIRONMENTAL:**  
 OPERATING TEMPERATURE = -40°C TO +105°C

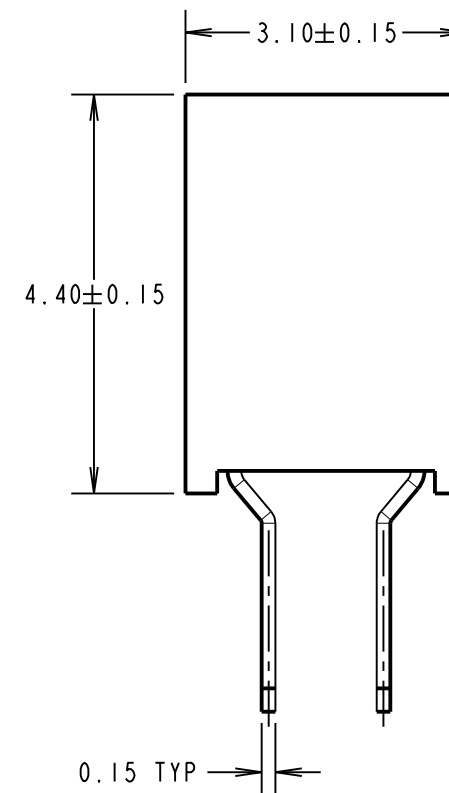
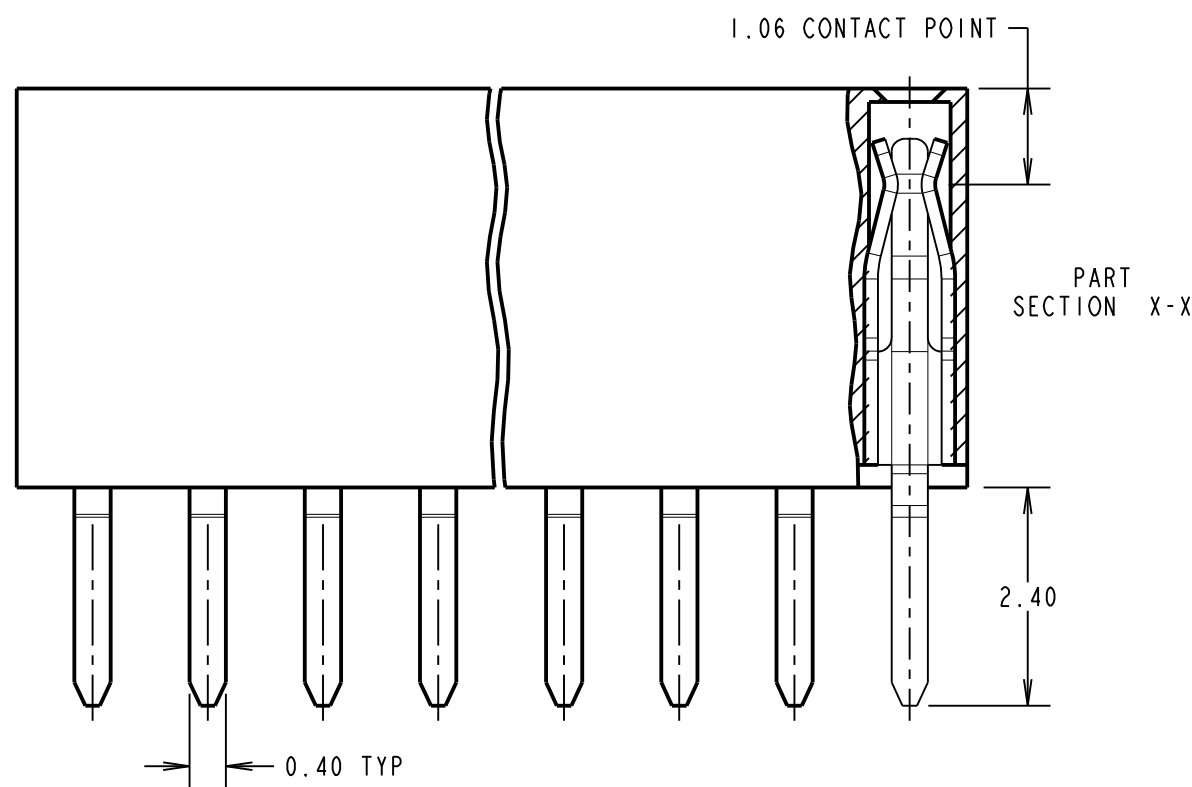
**PACKING:**  
 TUBE

FOR COMPLETE SPECIFICATION, SEE COMPONENT SPECIFICATION C029XX (LATEST ISSUE)

OBSOLETE

No. of contacts per row = 16 to 19, 21 to 24, 26 to 49

Last Time Buy = 15th June 2018



ORDER CODE:

M50-300XX45

No. OF CONTACTS PER ROW:             
**03 to 15, 20, 25, 50**

FINISH:             
 45 = GOLD FLASH OVER NICKEL

NOTES:  
 1. ALL TOLERANCES ARE ±0.25 UNLESS OTHERWISE STATED

MGP	13	28.09.21	31008
NAME	ISS.	DATE	CN/CO
APPROVED: MGP			
CHECKED: RA			
DRAWN: W. J. BOURNE			
CUSTOMER REF.:			
ASSEMBLY DRG:			

 www.harwin.com technical@harwin.com	THIS DRAWING AND ANY INFORMATION OR DESCRIPTIVE MATTER SET OUT HEREON ARE CONFIDENTIAL AND COPYRIGHT PROPERTY OF THE HARWIN GROUP AND MUST NOT BE DISCLOSED, LOANED, COPIED OR USED FOR MANUFACTURING, TENDERING OR FOR ANY OTHER PURPOSE WITHOUT THEIR WRITTEN PERMISSION.	TOLERANCES X. = ±1mm X.X = ±0.50mm X.XX = ±0.20mm X.XXX = ±0.01mm ANGLES = ±5° UNLESS STATED	MATERIAL: SEE ABOVE	TITLE: 1.27mm PITCH DIL VERTICAL SOCKET ASSY	DRAWING NUMBER: <b>M50-300XX45</b>	SHT 2 OF 2
		FINISH: SEE ABOVE	S/AREA: mm <sup>2</sup>			

# Mouser Electronics

Authorized Distributor

Click to View Pricing, Inventory, Delivery & Lifecycle Information:

[Harwin:](#)

[M50-3000545](#) [M50-3000645](#) [M50-3000745](#) [M50-3000845](#) [M50-3000945](#) [M50-3001045](#) [M50-3001145](#) [M50-3001245](#) [M50-3001545](#) [M50-3002045](#) [M50-3002545](#) [M50-3003045](#) [M50-3003545](#) [M50-3004045](#) [M50-3004545](#)  
[M50-3005045](#) [M50-3000345](#)