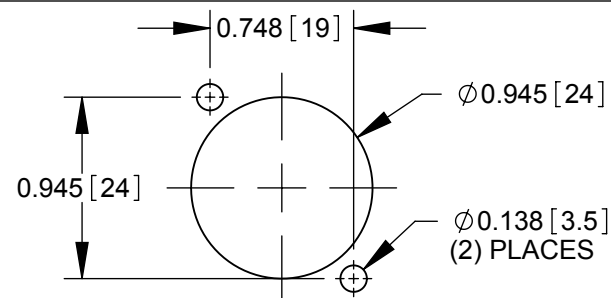
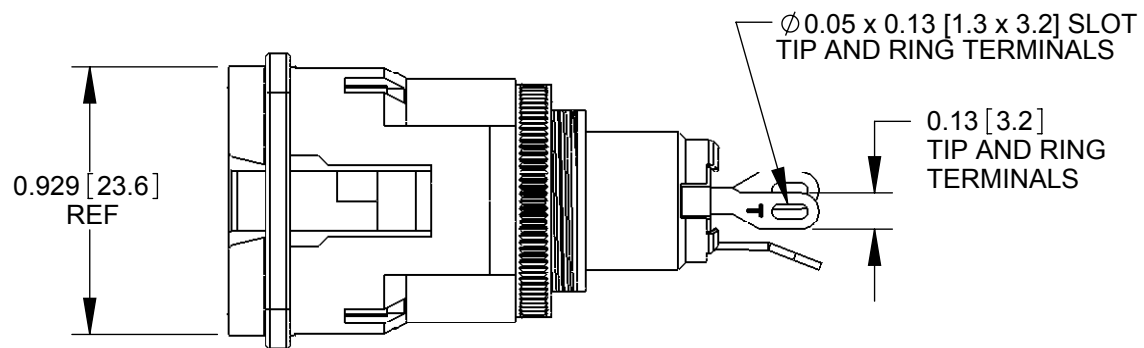
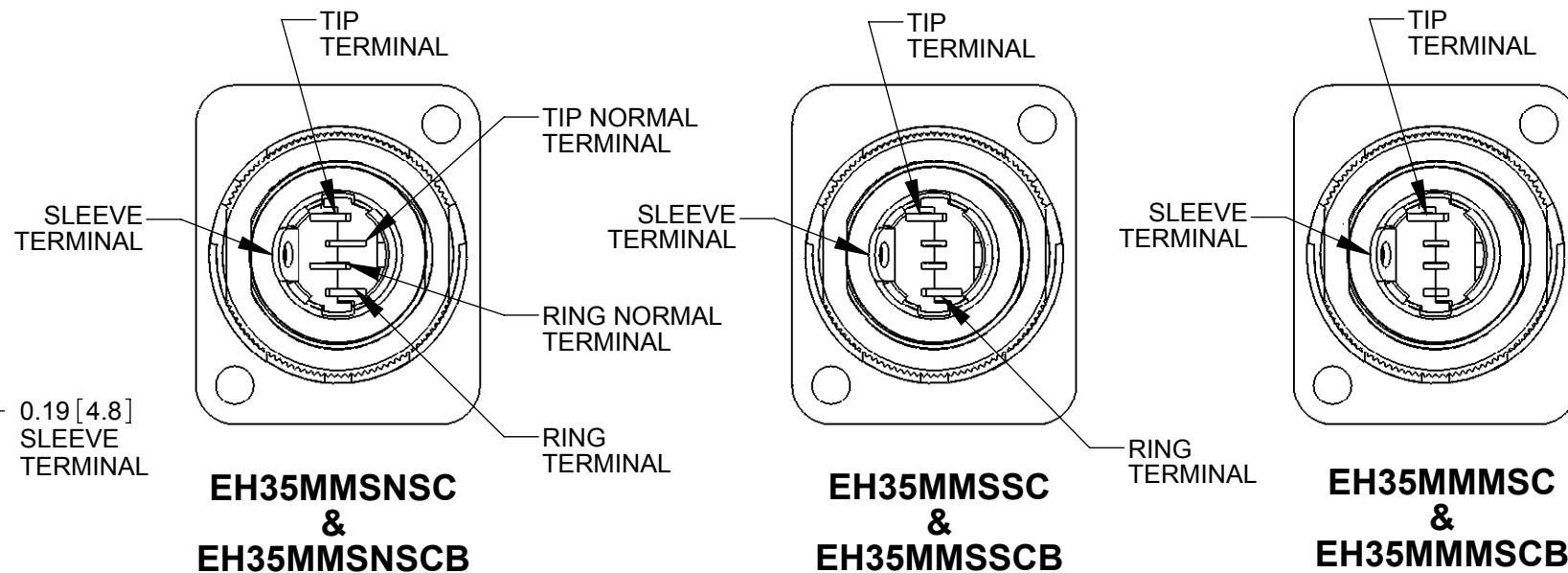
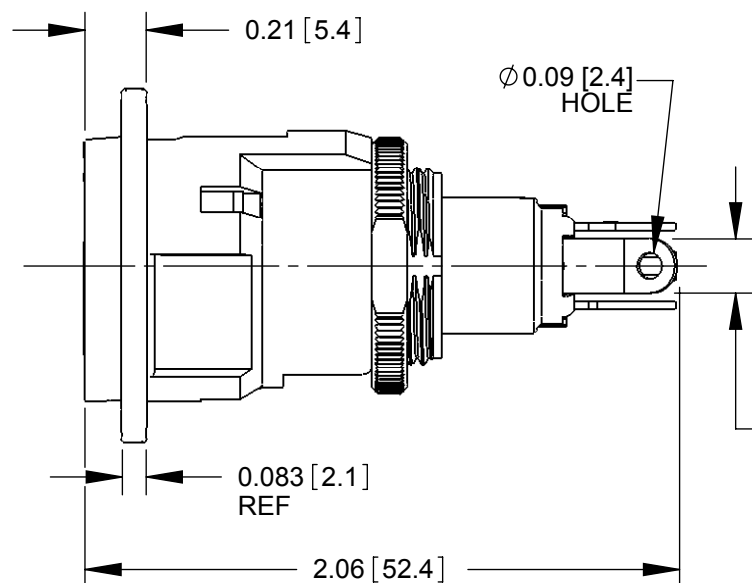
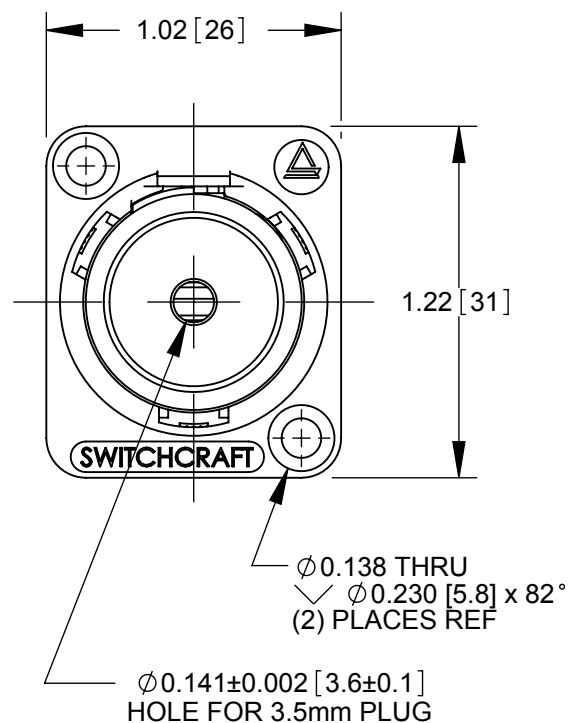
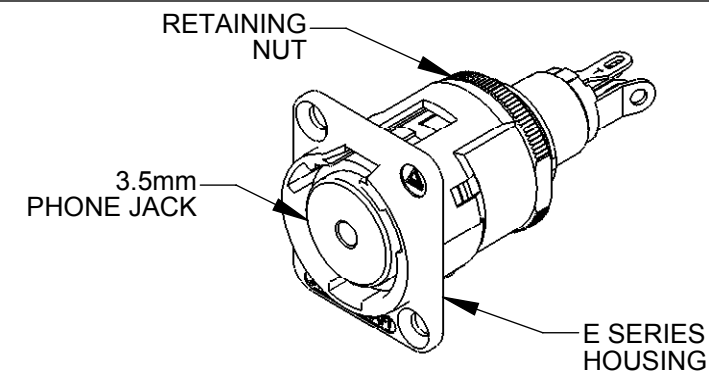


**EH35MMSNSC
SHOWN**



**RECOMMENDED
PANEL CUT-OUT**



NOTES:

- MATERIALS:**
HOUSING - ZINC ALLOY, SEE TABLE FOR FINISH
RETAINING NUT - BRASS, NICKEL PLATED
3.5mm PHONE JACK:
JACK HOUSING - BRASS, NICKEL PLATED
SPRINGS - NICKEL SILVER
INSULATORS - THERMOPLASTIC
INSERT OVERMOLD - THERMOPLASTIC
- SHIPPED ASSEMBLED WITHOUT PANEL MOUNTING HARDWARE. ADD "PKG" SUFFIX TO INCLUDE MOUNTING SCREWS AND INDIVIDUAL PACKAGING.
- THESE PRODUCTS ARE RoHS COMPLIANT.

PART NUMBER	DESCRIPTION	E SERIES HOUSING FINISH
EH35MMMSC	EH SERIES 3.5mm JACK, 2-CONDUCTOR MONO	NICKEL
EH35MMMSCB	EH SERIES 3.5mm JACK, 2-CONDUCTOR MONO	BLACK CHROME
EH35MMSSC	EH SERIES 3.5mm JACK, 3-CONDUCTOR STEREO	NICKEL
EH35MMSSCB	EH SERIES 3.5mm JACK, 3-CONDUCTOR STEREO	BLACK CHROME
EH35MMSNSC	EH SERIES 3.5mm JACK, 5-CONDUCTOR STEREO NORMALED	NICKEL
EH35MMSNSCB	EH SERIES 3.5mm JACK, 5-CONDUCTOR STEREO NORMALED	BLACK CHROME

CUSTOMER DRAWING

					THIS DRAWING DESCRIBES A DESIGN CONSIDERED PROPRIETARY IN NATURE, DEVELOPED AND MANUFACTURED BY SWITCHCRAFT INC. AND IS RELEASED ON A CONFIDENTIAL BASIS FOR IDENTIFICATION PURPOSES ONLY.				
					SIZE	WIDTH	MULT	LBS/M	TEMPER
					UNLESS OTHERWISE SPECIFIED			MATERIAL SPEC No.	
					1. ALL DIMENSIONS IN INCHES			SCALE 1.5:1	
					- TWO PLACE DECIMALS ±0.02			Switchcraft®	
					- THREE PLACE DECIMALS ±0.005			SHEET 1 OF 1	
A	25459	10/20/06	RS	TJK	DATE DRAWN	BY	CHKD	APVD	PART No.
REV	ECO NUMBER	DATE	BY	APVD	10/17/05	PNK	RS	TJK	EH35MM SERIES
REVISIONS					DO NOT SCALE DRAWING				
					NAME				
					EH SERIES 3.5mm PHONE JACK				
					REV A				

Mouser Electronics

Authorized Distributor

Click to View Pricing, Inventory, Delivery & Lifecycle Information:

[Switchcraft:](#)

[EH35MMSSCB](#) [EH35MMSSC](#)