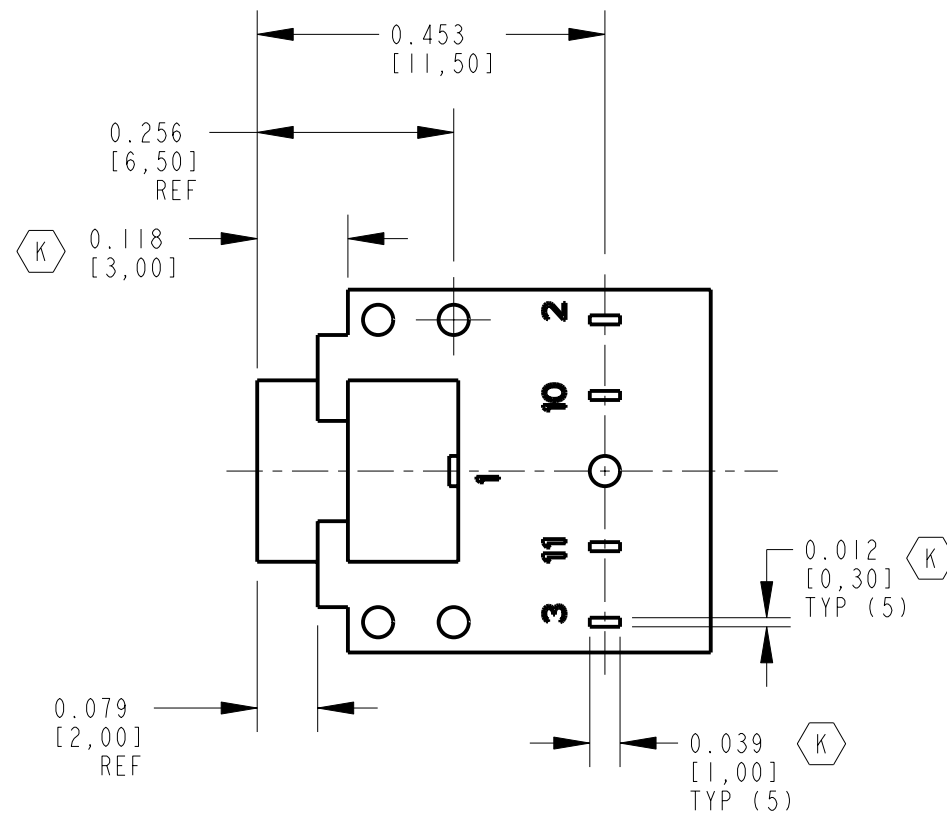
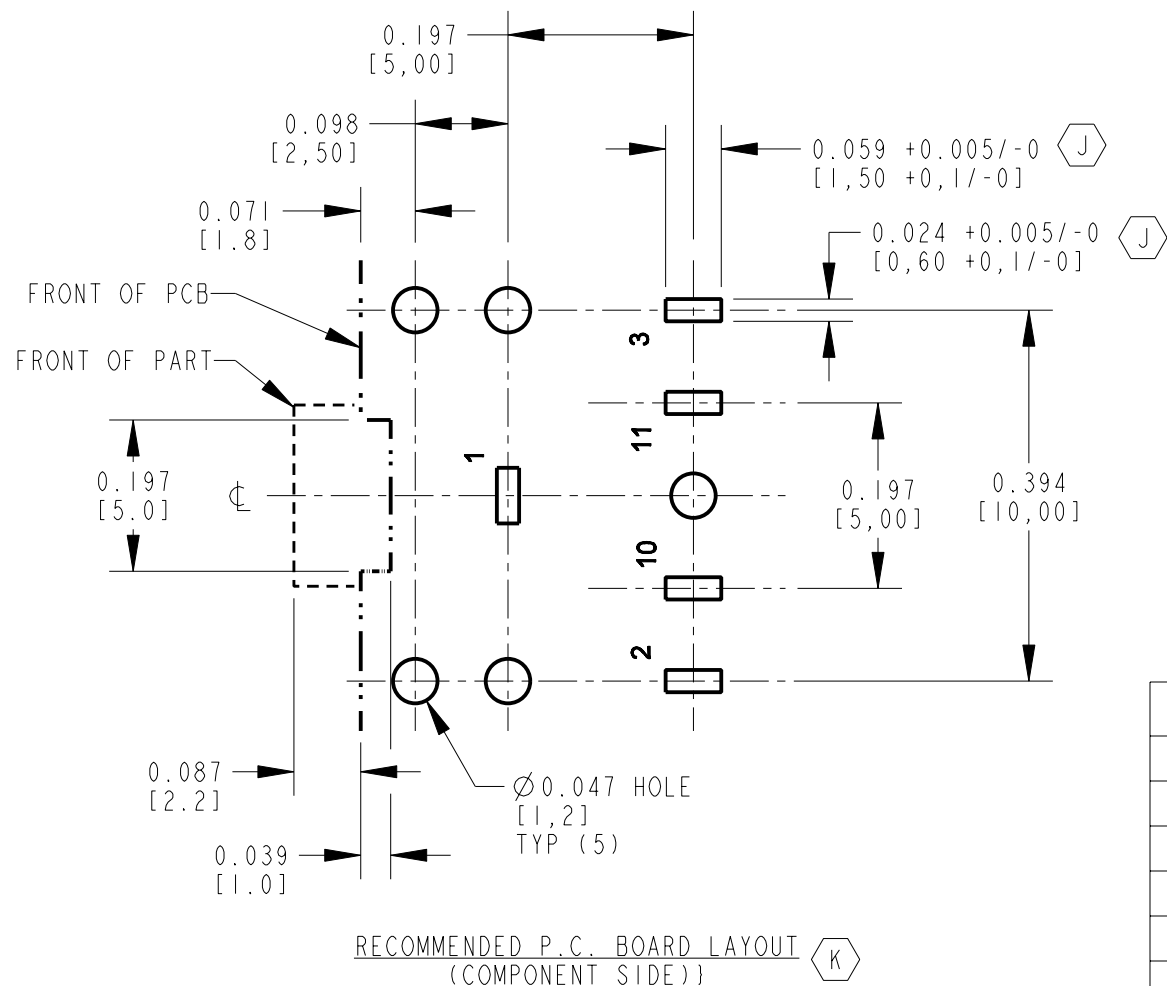
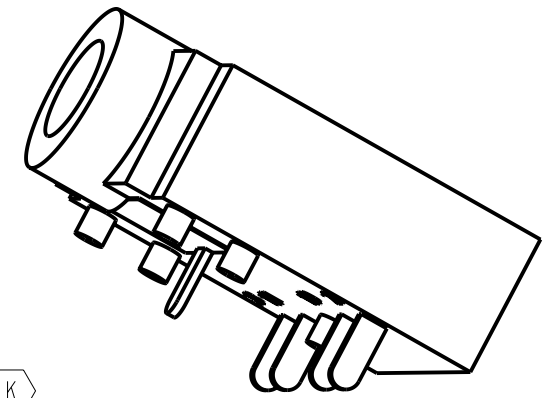
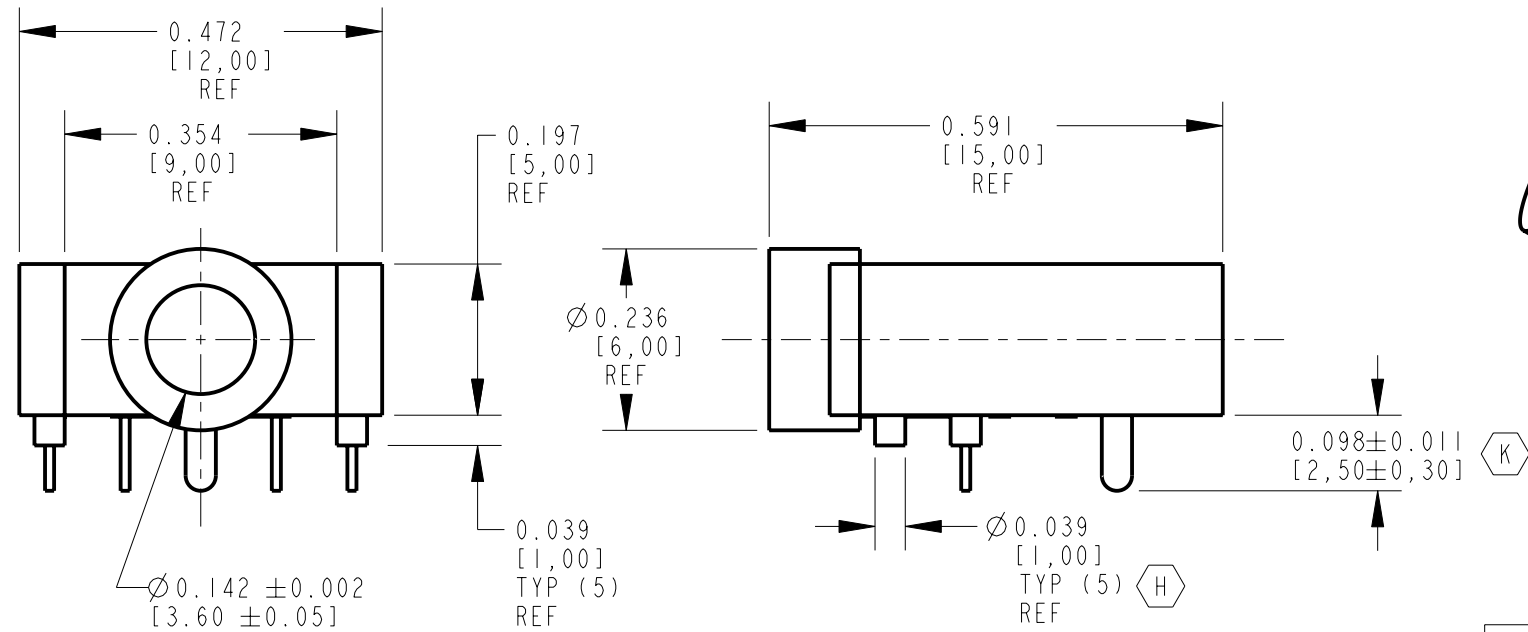


NOTES:

- ELECTRICAL:
CONTACT RESISTANCE: 0.030 OHMS MAX INITIAL,
0.100 OHMS MAX AFTER LIFE TEST.
INSULATION RESISTANCE: 100 MEGAOHMS MIN @ 500 VDC
DIELECTRIC WITHSTANDING VOLTAGE: 500 VAC
- MECHANICAL:
LIFE: 5000 CYCLES
INSERTION FORCE: 0,4 KG TO 3 KG
WITHDRAWAL FORCE: 0,4 KG TO 3 KG
- MATERIALS:
HOUSING: PBT, BLACK, UL94V-0
COVER: PBT, BLACK, UL94V-0
BUSHING: BRASS, NICKEL PLATED
SPRINGS: COPPER ALLOY, SILVER PLATED
- THIS PRODUCT IS RoHS COMPLIANT.



SHOWN 35RAPC4BHN2

PART NUMBER	SCHEMATIC
35RAPC2AHN2	
35RAPC3BHN2	
35RAPC4BHN2	
35RAPC2BHN2	

CUSTOMER DRAWING

REV	ECO NUMBER	DATE	BY	APVD
L	27551	8-4-15	TO	TJK
K	27056	11-20-12	TO	TJK
J	26998	7-20-12	TO	TJK
H	26658	11-10-10	TO	TJK
G	26553	6-8-10	TJK	TJK
F	ECO # 24453	4-10-03	SRC	TJK

REVISIONS

★ STAR SYMBOL DENOTES CRITICAL DIMENSION

UNLESS OTHERWISE SPECIFIED

- ALL DIMENSIONS IN INCHES
- TWO PLACE DECIMALS ±0.01
- THREE PLACE DECIMALS ±0.005
- FRACTIONAL DIMENSIONS ±1/64
- ANGLES ±1°
- ALL DIA. CONCENTRIC WITHIN 0.005 T.I.R.
- FEATURES ON THE SAME CENTERLINE MUST BE ALIGNED WITHIN ±0.002
- REMOVE ALL BURRS

DO NOT SCALE DRAWING

THIS DRAWING DESCRIBES A DESIGN CONSIDERED PROPRIETARY IN NATURE, DEVELOPED AND MANUFACTURED BY SWITCHCRAFT INC. AND IS RELEASED ON A CONFIDENTIAL BASIS FOR IDENTIFICATION PURPOSES ONLY.

SIZE	WIDTH	MULT	LBS/M	TEMPER
FINISH		MATERIAL		
SPEC No.		SPEC No.		
FIRST USED ON		SCALE		
		4:1		
DATE DRAWN	BY	CHKD	APVD	
9-Dec-93	LR	LR	EBR	
		12-10-93	12-10-93	
NAME			PART No.	REV
3.5MM HORIZONTAL STEREO JACK, RoHS			35RAPC_ _HN2	L

Switchcraft®

SHEET 1 OF 1

Mouser Electronics

Authorized Distributor

Click to View Pricing, Inventory, Delivery & Lifecycle Information:

Switchcraft:

[35RAPC4BHN2](#) [35RAPC2AHN2](#) [35RAPC2BHN2](#) [35RAPC3BHN2](#)