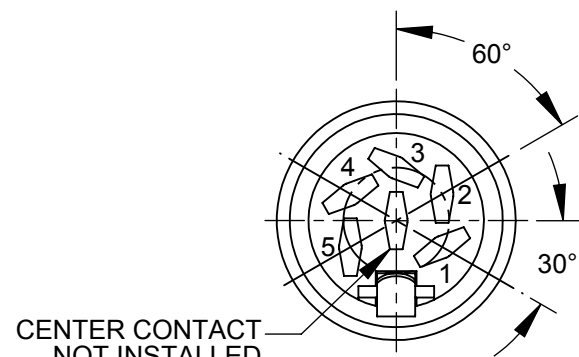
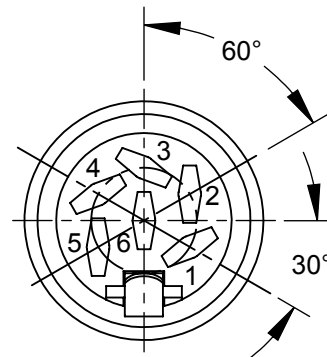


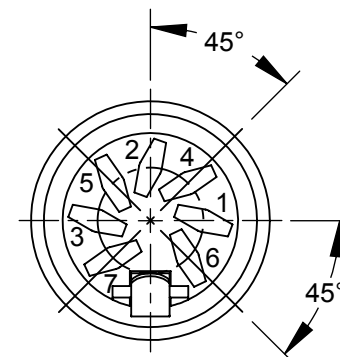
06AL5FX
5 CONTACTS AT 180°



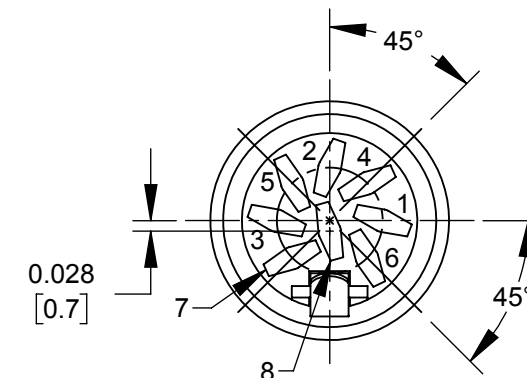
13AL5FX
5 CONTACTS AT 240°



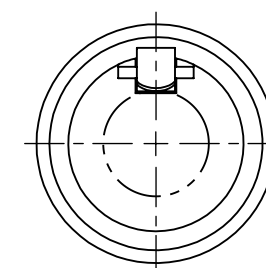
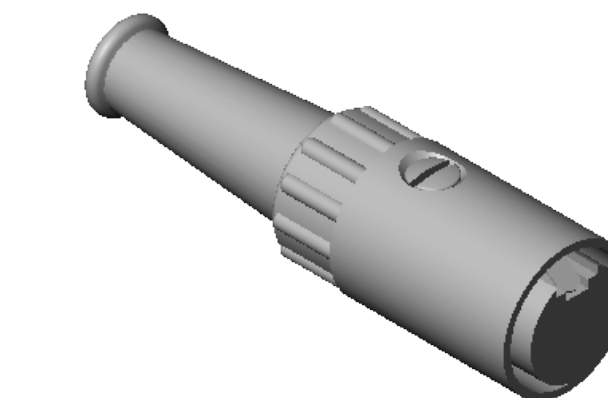
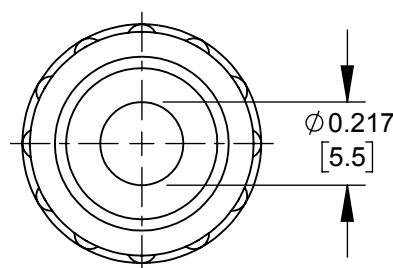
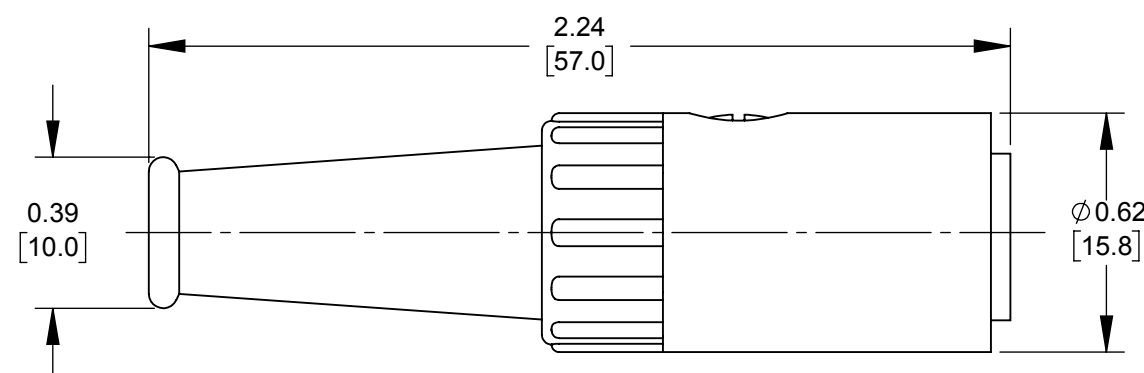
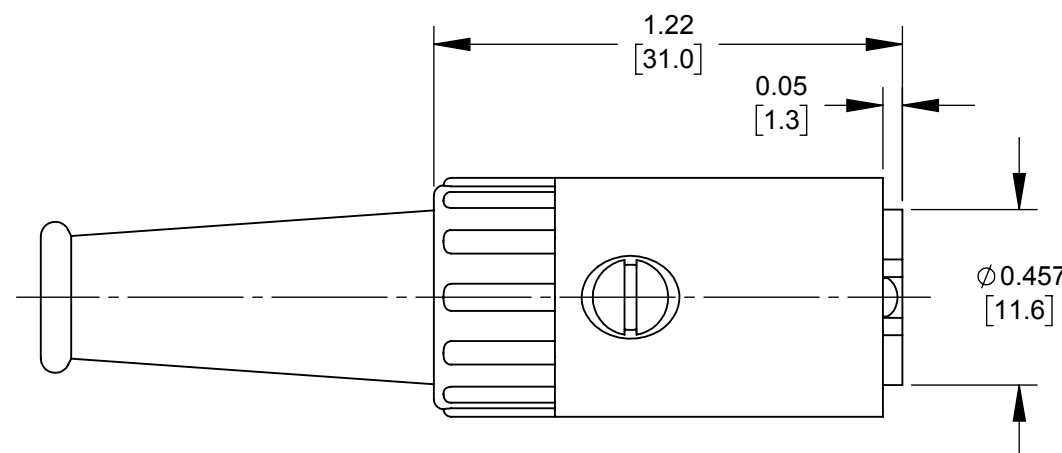
13AL6FX
6 CONTACTS AT 240°



15AL7FX
7 CONTACTS AT 270°



15AL8FX
8 CONTACTS AT 270°



NOTES:

1. SHIPPED ASSEMBLED.
2. 0.04 [1.0mm] X 0.07 [1.7mm] SLOT IN CONTACTS FOR SOLDERING.
3. MATERIALS:
HOUSING - ZINC ALLOY, NICKEL PLATED
INSERT - THERMOPLASTIC, BLACK
CONTACTS - COPPER ALLOY, TIN PLATED
FLEX RELIEF - THERMOPLASTIC, BLACK
CABLE CLAMP - STEEL, NICKEL PLATED
SCREW - STEEL, NICKEL PLATED
4. THESE PRODUCTS ARE RoHS COMPLIANT.

CUSTOMER DRAWING

					THIS DRAWING DESCRIBES A DESIGN CONSIDERED PROPRIETARY IN NATURE, DEVELOPED AND MANUFACTURED BY SWITCHCRAFT INC. AND IS RELEASED ON A CONFIDENTIAL BASIS FOR IDENTIFICATION PURPOSES ONLY.						
					UNLESS OTHERWISE SPECIFIED		SIZE	WIDTH	MULT	LBS/M	TEMPER
					1. ALL DIMENSIONS IN INCHES - TWO PLACE DECIMALS ±0.02 - THREE PLACE DECIMALS ±0.005		FINISH		MATERIAL		
							SPEC No.		SPEC No.		
							FIRST USED ON		SCALE 2:1		
							DATE DRAWN	BY	CHKD TO	APVD TJK	
							10-Jun-13	TO	6-10-13	6-10-13	
							NAME			PART No.	REV
							FEMALE DIN 5-8 PIN CORD PLUG CONNECTOR, RoHS			06AL_FX, 13AL_FX, 15AL_FX_SERIES	A
REVISIONS					DO NOT SCALE DRAWING					SHEET 1 OF 1	

SolidWorks CAD File

Mouser Electronics

Authorized Distributor

Click to View Pricing, Inventory, Delivery & Lifecycle Information:

[Switchcraft:](#)

[06AL5FX](#)