

Customer Information Sheet

DRAWING No.: M80-540XXXX

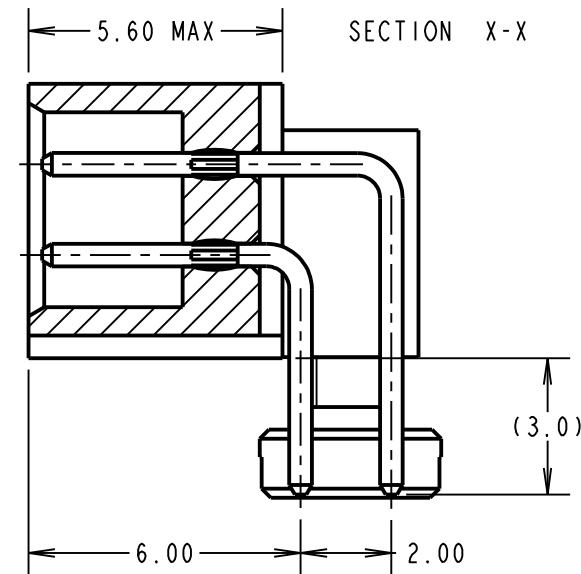
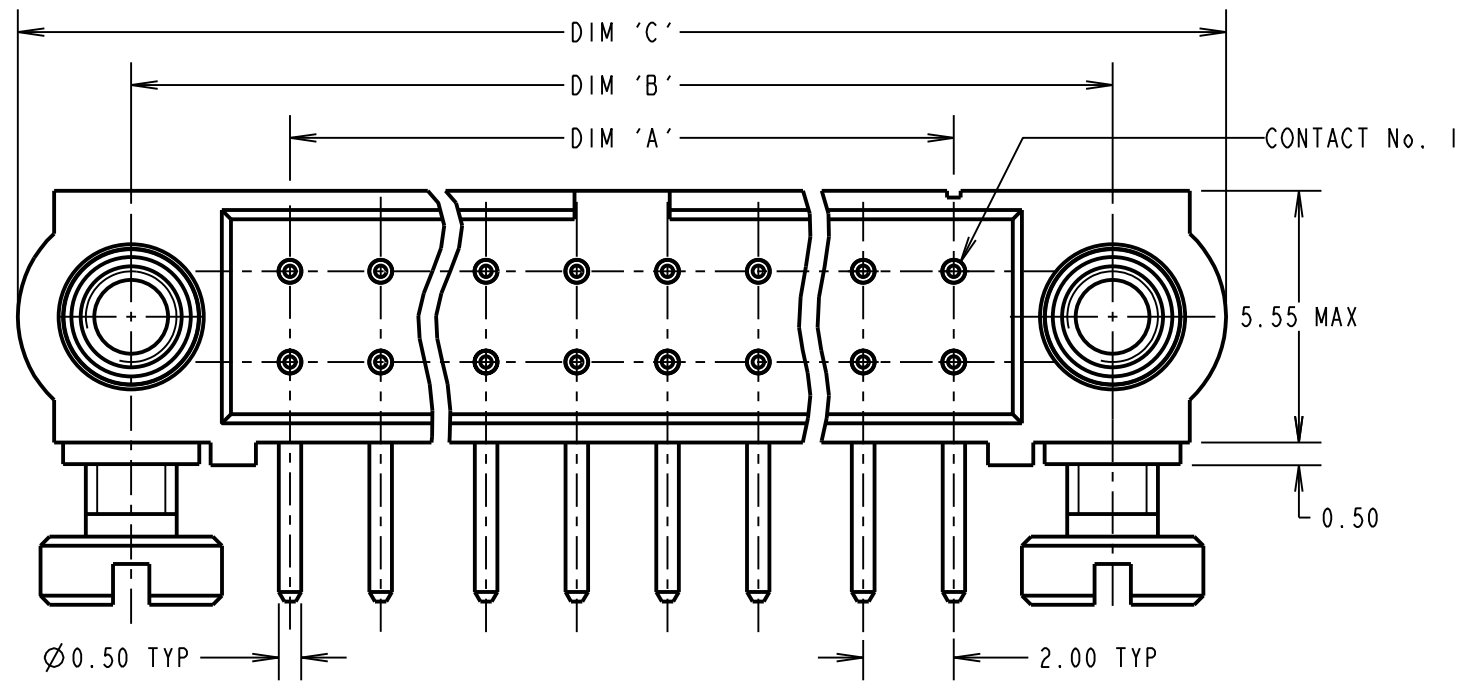
IF IN DOUBT - ASK

©

NOT TO SCALE

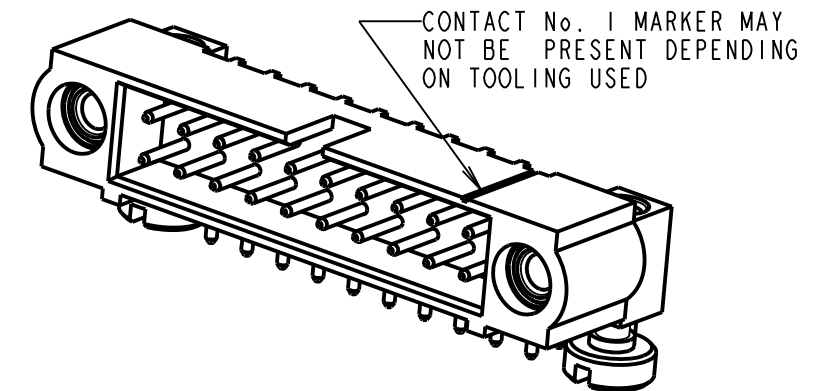
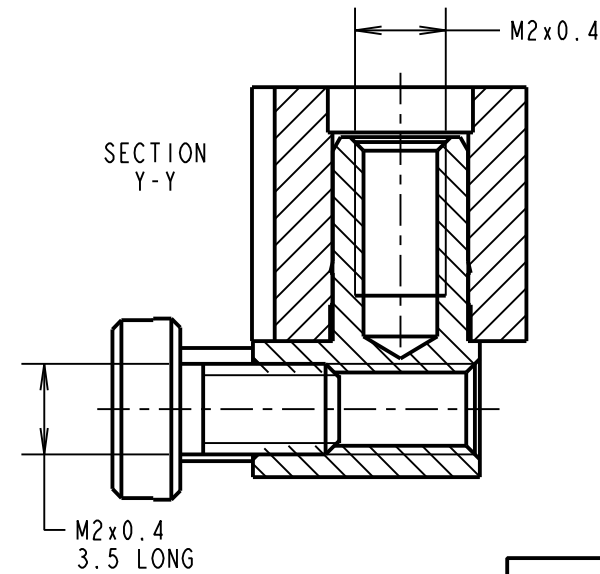
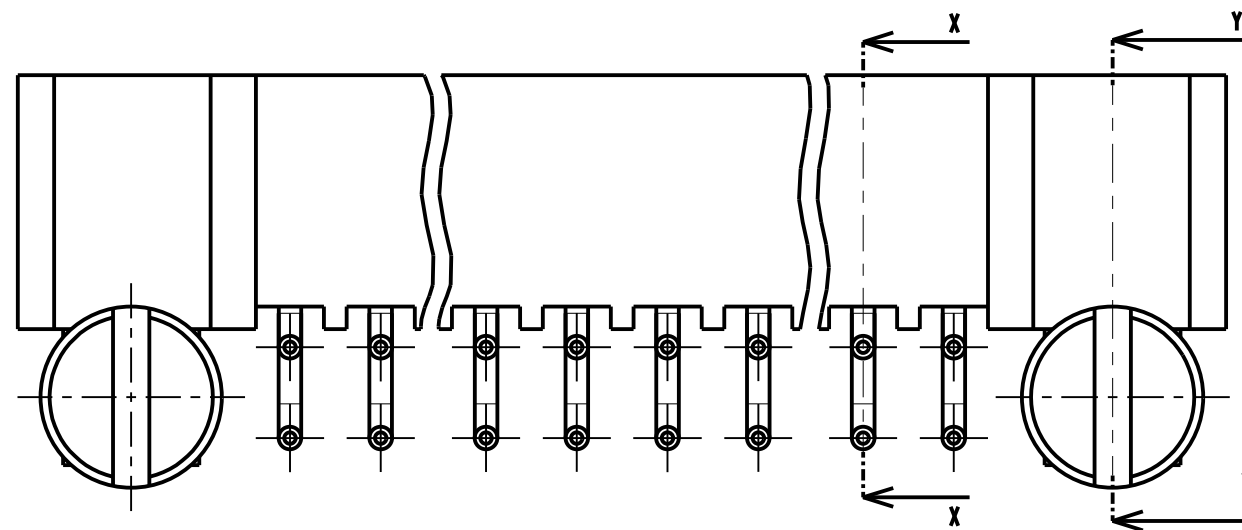
THIRD ANGLE PROJECTION

ALL DIMENSIONS IN mm

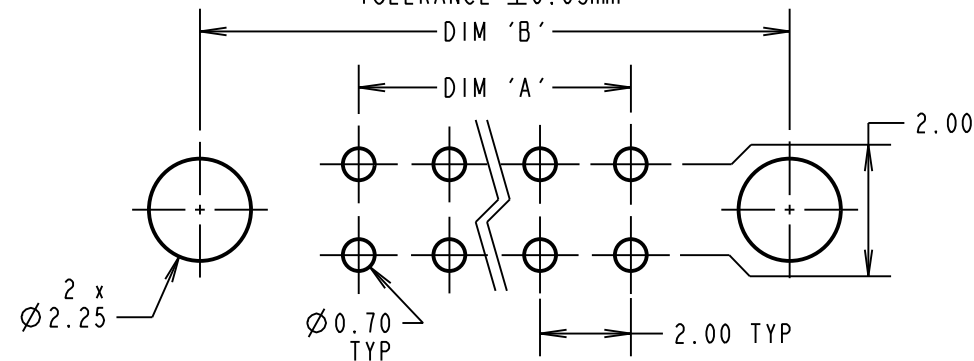


SPECIFICATIONS:
MATERIAL:
 MOULDING = GLASS-FILLED PPS, UL94V-0, BLACK
 CONTACT = PHOSPHOR BRONZE
 JACKSCREW = STAINLESS STEEL
FINISH (CONTACTS):
 22 = 0.75 μ m GOLD ON CONTACT AREA, 3 μ m 90/10 TIN/LEAD ON TAILS
 42 = 0.75 μ m GOLD ON CONTACT AREA, 3 μ m 100% TIN ON TAILS
 05 = 0.75 μ m GOLD ALL OVER NICKEL
ELECTRICAL:
 CURRENT RATING AT 25°C = 3.0A MAX
 CURRENT RATING AT 85°C = 2.2A MAX
 WORKING VOLTAGE = 800V AC/DC
 VOLTAGE PROOF = 1200V AC/DC
 CONTACT RESISTANCE = 25 m Ω MAX
 INSULATION RESISTANCE = 100 M Ω MIN
MECHANICAL:
 DURABILITY = 500 OPERATIONS
ENVIRONMENTAL:
 TEMPERATURE RANGE = -55°C TO +125°C
PACKING: TUBE
 FOR COMPLETE SPECIFICATION, SEE COMPONENT SPECIFICATION C005XX (LATEST ISSUE)

NOTES:
 1. BOARD MOUNT SCREWS SUPPLIED LOOSE IN A BAG NOT AS SHOWN.



RECOMMENDED PCB LAYOUT
 TOLERANCE ± 0.05 mm



DIMENSION	CALCULATION
DIM 'A'	TOTAL No. OF CONTACTS - 2
DIM 'B'	TOTAL No. OF CONTACTS + 5
DIM 'C'	TOTAL No. OF CONTACTS + 10

ORDER CODE: **M80-540XXXX**

TOTAL No. OF CONTACTS
 04 TO 50
 (EVEN NUMBERS ONLY)

FINISH
 22 - SELECTIVE GOLD + TIN/LEAD
 42 - SELECTIVE GOLD + 100% TIN
 05 - 0.75 μ GOLD ALL OVER

MGP	3	03.06.21	30563
NAME	ISS.	DATE	CN/CO
APPROVED: MGP			
CHECKED: MR			
DRAWN: W. J. BOURNE			
CUSTOMER REF.:			
ASSEMBLY DRG:			

HARWIN

www.harwin.com
 technical@harwin.com

THIS DRAWING AND ANY INFORMATION OR DESCRIPTIVE MATTER SET OUT HEREON ARE CONFIDENTIAL AND COPYRIGHT PROPERTY OF THE HARWIN GROUP AND MUST NOT BE DISCLOSED, LOANED, COPIED OR USED FOR MANUFACTURING, TENDERING OR FOR ANY OTHER PURPOSE WITHOUT THEIR WRITTEN PERMISSION.

TOLERANCES
 X. = ± 1 mm
 X.X = ± 0.50 mm
 X.XX = ± 0.20 mm
 X.XXX = ± 0.01 mm
 ANGLES = $\pm 5^\circ$
 UNLESS STATED

MATERIAL: SEE ABOVE
FINISH: SEE ABOVE
S/AREA: mm²

TITLE: DATAMATE J-TEK DIL HORIZ 3.0mm PC TAIL MALE ASSY WITH BOARD MOUNT

DRAWING NUMBER: M80-540XXXX

SHT 2 OF 2

Mouser Electronics

Authorized Distributor

Click to View Pricing, Inventory, Delivery & Lifecycle Information:

Harwin:

[M80-5402022](#) [M80-5400622](#) [M80-5403422](#) [M80-5404222](#) [M80-5402042](#) [M80-5401042](#) [M80-5402642](#) [M80-5401442](#) [M80-5400642](#) [M80-5404422](#) [M80-5405042](#) [M80-5403442](#) [M80-5404242](#) [M80-5400442](#) [M80-5400842](#) [M80-5401022](#) [M80-5405022](#) [M80-5402622](#) [M80-5401422](#) [M80-5401222](#) [M80-5401242](#) [M80-5401822](#) [M80-5401842](#) [M80-5403042](#) [M80-5401642](#) [M80-5400822](#) [M80-5403842](#) [M80-5402442](#) [M80-5400805](#) [M80-5400605](#) [M80-5402005](#) [M80-5404205](#) [M80-5402222](#) [M80-5400422](#) [M80-5401622](#) [M80-5401005](#) [M80-5402422](#) [M80-5400405](#) [M80-5401405](#) [M80-5402605](#) [M805403242](#)