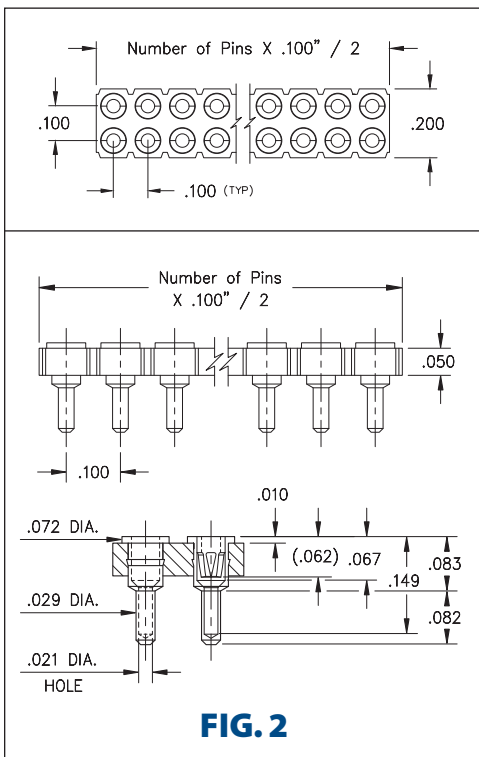
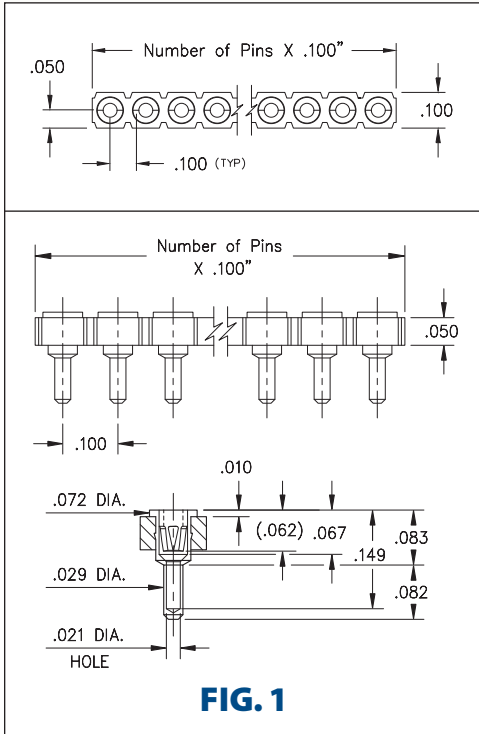
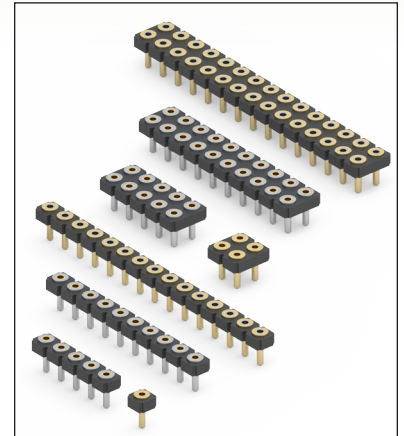


# INTERCONNECTS

## SERIES 315 & 415 • .100" GRID, SUPER LOW PROFILE SOCKETS • SINGLE AND DOUBLE ROW STRIPS



- Series 315 and 415 solder mount sockets use MM #0512 receptacles that accept pin diameters from .015"-.022". See pages 161 for details
- Hi-Rel, 4-finger BeCu #12 contact is rated at 3 amps. See page 252 for details
- .083" Super low profile above the board utilizes .050" thick insulators
- Insulators are high temperature thermoplastic, suitable for all soldering operations



### ORDERING INFORMATION

<b>FIG. 1</b>	<b>Series 315...004</b> <span style="float: right;"><b>Single Row Socket</b></span>
	315-XX-1 -41-004000 Specify number of pins <span style="float: right;">01-32</span>
<b>FIG. 2</b>	<b>Series 415...004</b> <span style="float: right;"><b>Double Row Socket</b></span>
	415-XX-2 -41-004000 Specify number of pins <span style="float: right;">04-72</span>



XX=Plating Code  
See Below

For  
Electrical, Mechanical  
& Environmental Data,  
See page 264

SPECIFY PLATING CODE XX=	13	93	43	44	47
Sleeve (Pin)	10 μ" Au	200 μ" Sn/Pb	200 μ" Sn	200 μ" Sn	200 μ" Sn
Contact (Clip)	30 μ" Au	30 μ" Au	30 μ" Au	100 μ" Sn	Au Flash



# Mouser Electronics

Authorized Distributor

Click to View Pricing, Inventory, Delivery & Lifecycle Information:

[Mill-Max:](#)

[415-47-212-41-004000](#) [315-47-106-41-004000](#) [315-47-110-41-004000](#) [315-47-104-41-004000](#) [415-47-206-41-004000](#) [315-47-108-41-004000](#) [415-47-204-41-004000](#) [415-47-216-41-004000](#)