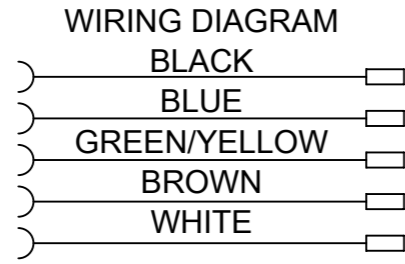


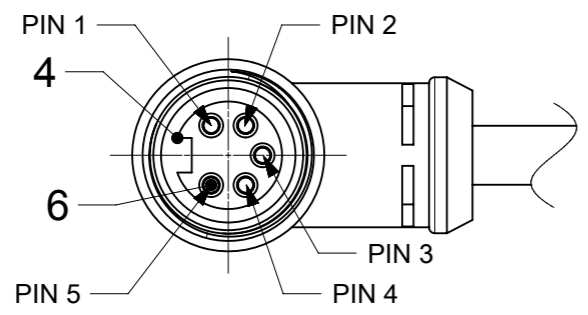
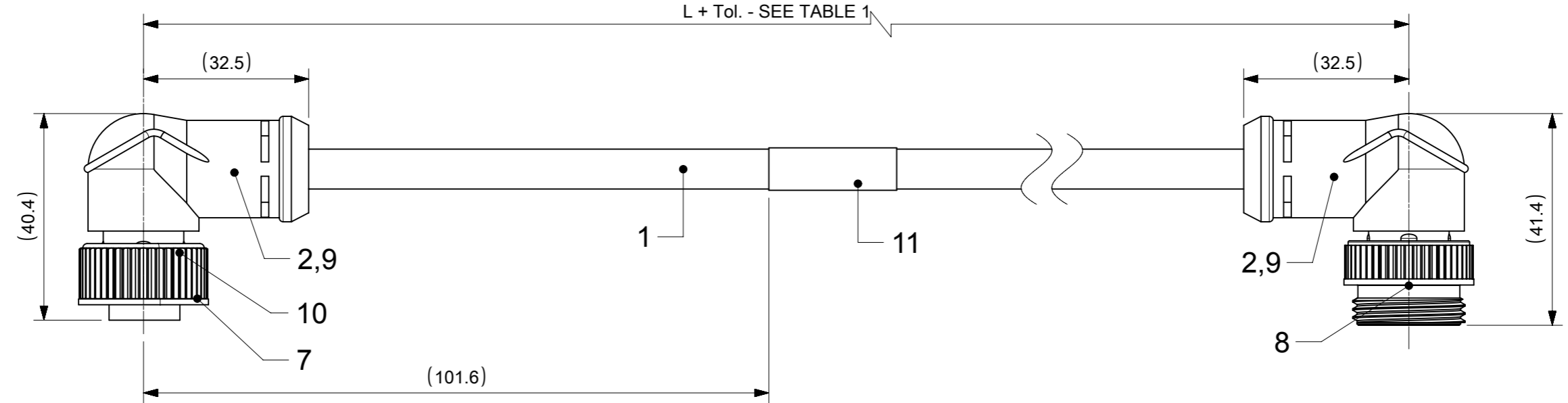
NOTES:
 1. ELECTRICAL SPECIFICATIONS:
 - VOLTAGE RATING: 300V AC/DC
 - CURRENT RATING: 8 AMPS
 2. PROTECTION: IP67
 3. ASSEMBLY IS RoHS COMPLIANT BY EXEMPTION



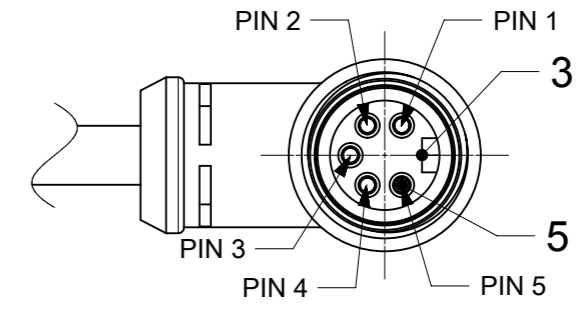
PART No. MATRIX

1 1 5 0 3 3 B X X M X X X X

11 = A-SIZE double ended	Poles: 5 = 5 Poles	Heads style: 033 = Female 90°/Male 90°	Cable: B21 = 5x1.5mm ² 7.8mm PUR GY B35 = 5x1.5 ² 8.5mm PUR GY	Units: M = Meters	Length Examples: 005 = 0.5 m 010 = 1 m 050 = 5 m 100 = 10 m 150 = 15 m	Moulding color blank=Black PUR (standard) A=Grey G=Yellow
--------------------------	--------------------	--	---	-------------------	--	--



VIEW FROM THE FRONT SIDE



VIEW FROM THE FRONT SIDE

BILL OF MATERIALS

ITEM	QTY	DESCRIPTION	MATERIAL	FINISH/COLOR
11	1	LABEL;2.0X1.75;WRAP	VINYL	YELLOW
10	1	FRICTION RING - A SIZE	NYLON	-
9	-	TAPE;0.165MMx9MM	POLYSILOXANE	WHITE
8	1	MC COUPLING NUT A-SIZE	ZINC	BLACK
7	1	COUPLING NUT MC A-SIZE EXT.THD	ZINC	BLACK
6	5	MC SOCKET SLEEVE ASSY, 16 AWG	BRASS	GOLD
5	5	MC PIN CONTACT 16AWG	BRASS	GOLD
4	1	5P FEMALE INSERT A SIZE	PUR	BLACK
3	1	5P MALE INSERT A SIZE	PUR	BLACK
2	-	MOULDING MATERIAL	TPU	BLACK
1	-	CABLE 5/C, OD=8.5mm	TPU	GRAY
			MATERIAL	FINISH/COLOR

TABLE 1

MOLEX PN	ENGINEERING NO.	L+Tol.[mm]
1300108036	115033B21M010	1000 +56
1300108037	115033B21M020	2000 +89
1300108038	115033B21M030	3000 +89
1300108039	115033B21M050	5000 +165
1300108040	115033B21M100	10000 +317
1300108041	115033B21M150	15000 +610
1300108042	115033B21M200	20000 +610
1300108051	115033B35M010	1000 +56
1300108052	115033B35M020	2000 +89
1300108053	115033B35M030	3000 +89
1300108054	115033B35M050	5000 +165
1300108055	115033B35M100	10000 +317
1300108056	115033B35M150	15000 +610
1300108057	115033B35M200	20000 +610

SYMBOLS	THIS DRAWING CONTAINS INFORMATION THAT IS PROPRIETARY TO MOLEX ELECTRONIC TECHNOLOGIES, LLC AND SHOULD NOT BE USED WITHOUT WRITTEN PERMISSION	CURRENT REV DESC:		molex																											
	<table border="1"> <tr> <th>DIMENSION UNITS</th> <th>SCALE</th> </tr> <tr> <td>mm</td> <td>1:1</td> </tr> </table>	DIMENSION UNITS	SCALE		mm	1:1	<table border="1"> <tr> <td>EC NO: 603408</td> <td>DRWN: MKOWALCZYK01 2018/08/24</td> </tr> <tr> <td>CHK'D: MIWASIECZKO 2018/08/27</td> <td>APPR: MIWASIECZKO 2018/08/27</td> </tr> </table>		EC NO: 603408	DRWN: MKOWALCZYK01 2018/08/24	CHK'D: MIWASIECZKO 2018/08/27	APPR: MIWASIECZKO 2018/08/27	MINI-CHANGE CABLE ASSY. 5P MALE 90 TO FEMALE 90 16 AWG TPU																		
DIMENSION UNITS	SCALE																														
mm	1:1																														
EC NO: 603408	DRWN: MKOWALCZYK01 2018/08/24																														
CHK'D: MIWASIECZKO 2018/08/27	APPR: MIWASIECZKO 2018/08/27																														
<table border="1"> <tr> <th>GENERAL TOLERANCES (UNLESS SPECIFIED)</th> <th>ANGULAR TOL</th> </tr> <tr> <td>4 PLACES ±</td> <td>± 2.0°</td> </tr> <tr> <td>3 PLACES ±</td> <td>±</td> </tr> <tr> <td>2 PLACES ±</td> <td>±</td> </tr> <tr> <td>1 PLACE ±</td> <td>± 0.3</td> </tr> <tr> <td>0 PLACES ±</td> <td>±</td> </tr> </table>	GENERAL TOLERANCES (UNLESS SPECIFIED)	ANGULAR TOL	4 PLACES ±	± 2.0°	3 PLACES ±	±	2 PLACES ±	±	1 PLACE ±	± 0.3	0 PLACES ±	±	<table border="1"> <tr> <th>INITIAL REVISION:</th> <th>DATE</th> </tr> <tr> <td>DRWN: RSTONE</td> <td>2013/12/09</td> </tr> <tr> <td>APPR: JFMURPHY</td> <td>2013/12/16</td> </tr> </table>	INITIAL REVISION:	DATE	DRWN: RSTONE	2013/12/09	APPR: JFMURPHY	2013/12/16	<table border="1"> <tr> <th>PRODUCT CUSTOMER DRAWING</th> <th>DOCUMENT NUMBER</th> <th>DOC TYPE</th> <th>DOC PART</th> <th>REVISION</th> </tr> <tr> <td></td> <td>SD-130010-031</td> <td>PSD</td> <td>001</td> <td>A1</td> </tr> </table>		PRODUCT CUSTOMER DRAWING	DOCUMENT NUMBER	DOC TYPE	DOC PART	REVISION		SD-130010-031	PSD	001	A1
GENERAL TOLERANCES (UNLESS SPECIFIED)	ANGULAR TOL																														
4 PLACES ±	± 2.0°																														
3 PLACES ±	±																														
2 PLACES ±	±																														
1 PLACE ±	± 0.3																														
0 PLACES ±	±																														
INITIAL REVISION:	DATE																														
DRWN: RSTONE	2013/12/09																														
APPR: JFMURPHY	2013/12/16																														
PRODUCT CUSTOMER DRAWING	DOCUMENT NUMBER	DOC TYPE	DOC PART	REVISION																											
	SD-130010-031	PSD	001	A1																											
<table border="1"> <tr> <th>DRAFT WHERE APPLICABLE MUST REMAIN WITHIN DIMENSIONS</th> <th>THIRD ANGLE PROJECTION</th> <th>DRAWING</th> <th>SERIES</th> <th>MATERIAL NUMBER</th> <th>CUSTOMER</th> <th>SHEET NUMBER</th> </tr> <tr> <td></td> <td></td> <td>A3-SIZE</td> <td>130010</td> <td>SEE TABLE 1</td> <td>GENERAL MARKET</td> <td>1 OF 1</td> </tr> </table>	DRAFT WHERE APPLICABLE MUST REMAIN WITHIN DIMENSIONS	THIRD ANGLE PROJECTION	DRAWING	SERIES	MATERIAL NUMBER	CUSTOMER	SHEET NUMBER			A3-SIZE	130010	SEE TABLE 1	GENERAL MARKET	1 OF 1																	
DRAFT WHERE APPLICABLE MUST REMAIN WITHIN DIMENSIONS	THIRD ANGLE PROJECTION	DRAWING	SERIES	MATERIAL NUMBER	CUSTOMER	SHEET NUMBER																									
		A3-SIZE	130010	SEE TABLE 1	GENERAL MARKET	1 OF 1																									