

**PLEASE CHECK WWW.MOLEX.COM FOR LATEST PART INFORMATION**

**Part Number:** [0685031602](#)  
**Status:** **Active**  
**Description:** 4.00mm Pitch, OBD-II Wire-to-Wire Male Housing, 16 Circuits

**Documents:**

<a href="#">3D Model</a>	<a href="#">Packaging Specification PK-68503-001 (PDF)</a>
<a href="#">3D Model (PDF)</a>	<a href="#">Packaging Specification PK-68504-001 (PDF)</a>
<a href="#">Drawing (PDF)</a>	<a href="#">Packaging Specification PK-68505-001 (PDF)</a>
<a href="#">Product Specification PS-68503-001-001 (PDF)</a>	<a href="#">RoHS Certificate of Compliance (PDF)</a>

**General**

Product Family	Crimp Housings
Series	<a href="#">68503</a>
Application	Power, Wire-to-Wire
Product Name	OBD-II
UPC	756054305683

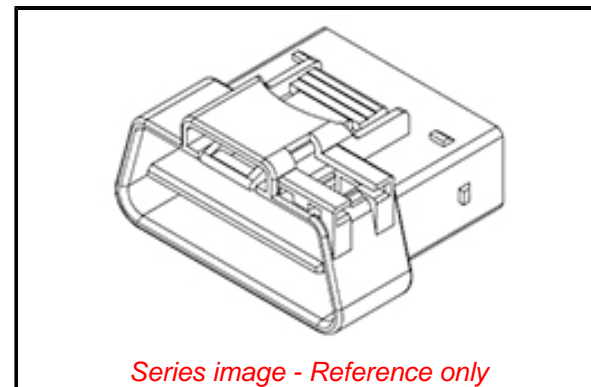
**Physical**

Circuits (maximum)	16
Color - Resin	Black
Gender	Plug
Glow-Wire Capable	No
Keying to Mating Part	None
Lock to Mating Part	Yes
Material - Resin	Polyester
Net Weight	9.480/g
Number of Rows	2
Packaging Type	Bag
Panel Mount	No
Pitch - Mating Interface	4.00mm
Stackable	No
Temperature Range - Operating	-10° to +85°C

**Material Info**

**Reference - Drawing Numbers**

Packaging Specification	PK-68503-001, PK-68504-001, PK-68505-001
Product Specification	PS-68503-001-001
Sales Drawing	SD-68503-004



**EU ELV**

**Compliant**

**EU RoHS**

**Compliant**

**REACH SVHC**

Not Contained Per -  
D(2020)9139-DC (19  
Jan 2021)

**Halogen-Free**

**Status**

**Low-Halogen**

For more information, please visit [Contact US](#)

China ROHS

ELV

RoHS Phthalates

**China RoHS**

Green Image

Compliant

Not Contained

**Search Parts in this Series**

[68503 Series](#)

**Mates With**

OBD-II Receptacle Housings [511151601](#) ,  
[511161601](#)

**Use With**

OBD-II Male Terminal [579649702](#)

# Mouser Electronics

Authorized Distributor

Click to View Pricing, Inventory, Delivery & Lifecycle Information:

[Molex:](#)

[68503-1602](#)