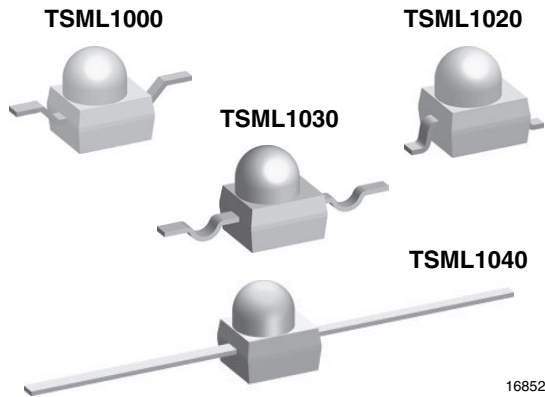


High Power Infrared Emitting Diode, 940 nm, GaAlAs, MQW



16852

FEATURES

- Package type: surface-mount
- Package form: GW, RGW, yoke, axial
- Dimensions (L x W x H in mm): 2.5 x 2 x 2.7
- Peak wavelength: $\lambda_p = 940 \text{ nm}$
- High radiant power
- High radiant intensity
- Angle of half intensity: $\phi = \pm 12^\circ$
- Low forward voltage
- Suitable for high pulse current operation
- Good spectral matching with Si photodetectors
- Versatile terminal configurations
- Package matches with detector TEMT1000
- Floor life: 168 h, MSL 3, according to J-STD-020
- Material categorization: for definitions of compliance please see www.vishay.com/doc?99912



RoHS
COMPLIANT

DESCRIPTION

TSML1000 is an infrared, 940 nm emitting diode in GaAlAs multi quantum well (MQW) technology with high radiant power and high speed molded in a clear, untinted plastic package (with lens) for surface mounting (SMD).

APPLICATIONS

- For remote control
- Encoder
- Photointerrupters

PRODUCT SUMMARY				
COMPONENT	I_e (mW/sr) at $I_f = 20 \text{ mA}$	ϕ (°)	λ_p (nm)	t_r (ns)
TSML1000	11	± 12	940	15
TSML1020	11	± 12	940	15
TSML1030	11	± 12	940	15
TSML1040	11	± 12	940	15

Note

- Test conditions see table "Basic Characteristics"

ORDERING INFORMATION			
ORDERING CODE	PACKAGING	REMARKS	PACKAGE FORM
TSML1000	Tape and reel	MOQ: 1000 pcs, 1000 pcs/reel	Reverse gullwing
TSML1020	Tape and reel	MOQ: 1000 pcs, 1000 pcs/reel	Gullwing
TSML1030	Tape and reel	MOQ: 1000 pcs, 1000 pcs/reel	Yoke
TSML1040	Bulk	MOQ: 1000 pcs, 1000 pcs/bulk	Axial leads

Note

- MOQ: minimum order quantity



ABSOLUTE MAXIMUM RATINGS (T _{amb} = 25 °C, unless otherwise specified)				
PARAMETER	TEST CONDITION	SYMBOL	VALUE	UNIT
Reverse voltage		V _R	5	V
Forward current		I _F	100	mA
Peak forward current	t _p /T = 0.5, t _p = 100 μs	I _{FM}	200	mA
Surge forward current	t _p = 100 μs	I _{FSM}	1.0	A
Power dissipation		P _V	160	mW
Junction temperature		T _j	100	°C
Operating temperature range		T _{amb}	-40 to +85	°C
Storage temperature range		T _{stg}	-40 to +100	°C
Soldering temperature	According to Fig. 10, J-STD-020	T _{sd}	260	°C
Thermal resistance junction to ambient	EIA / JESD51	R _{thJA}	400	K/W

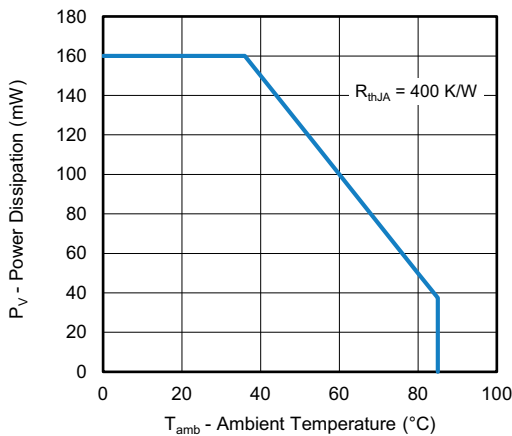


Fig. 1 - Power Dissipation Limit vs. Ambient Temperature

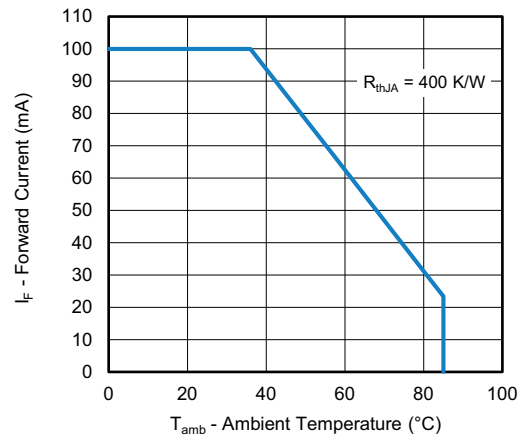
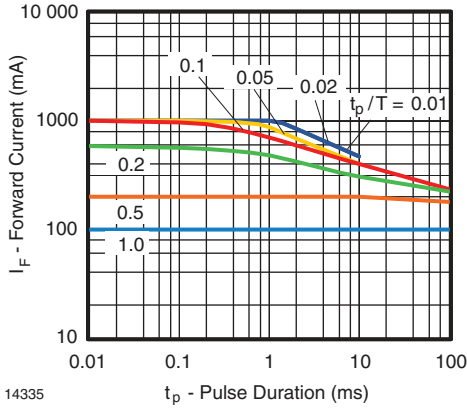


Fig. 2 - Forward Current vs. Ambient Temperature

BASIC CHARACTERISTICS (T _{amb} = 25 °C, unless otherwise specified)						
PARAMETER	TEST CONDITION	SYMBOL	MIN.	TYP.	MAX.	UNIT
Forward voltage	I _F = 20 mA, t _p = 20 ms	V _F	-	1.2	1.5	V
	I _F = 1 A, t _p = 100 μs	V _F	-	2.2	-	V
Temperature coefficient of V _F	I _F = 1 mA	TK _{V_F}	-	-1.8	-	mV/K
Reverse current	V _R = 5 V	I _R	-	-	10	μA
Junction capacitance	V _R = 0 V, f = 1 MHz, E = 0	C _j	-	40	-	pF
Radiant intensity	I _F = 20 mA, t _p = 20 ms	I _e	3	11	15	mW/sr
Radiant power	I _F = 100 mA, t _p = 20 ms	φ _e	-	40	-	mW
Temperature coefficient of φ _e	I _F = 20 mA	TK _{φ_e}	-	-0.6	-	%/K
Angle of half intensity		φ	-	± 12	-	°
Peak wavelength	I _F = 100 mA	λ _p	-	940	-	nm
Spectral bandwidth	I _F = 100 mA	Δλ	-	30	-	nm
Temperature coefficient of λ _p	I _F = 100 mA	TK _{λ_p}	-	0.2	-	nm/K
Rise time	I _F = 100 mA	t _r	-	15	-	ns
Fall time	I _F = 100 mA	t _f	-	15	-	ns



BASIC CHARACTERISTICS (T_{amb} = 25 °C, unless otherwise specified)



14335

Fig. 3 - Pulse Forward Current vs. Pulse Duration

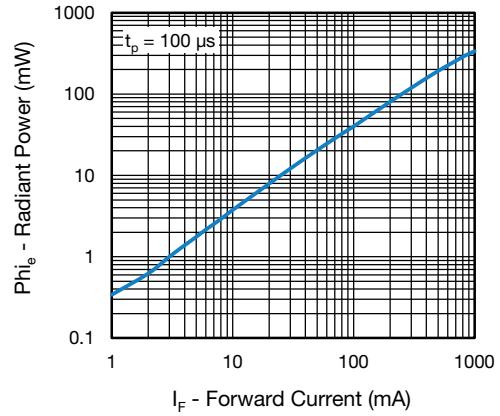
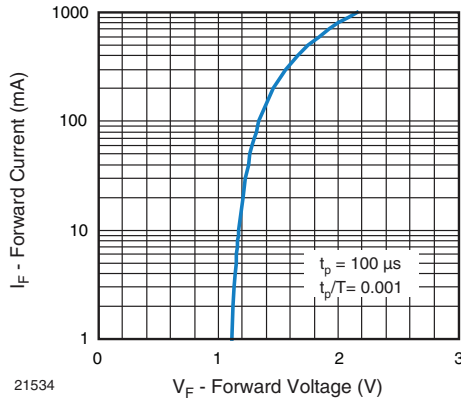
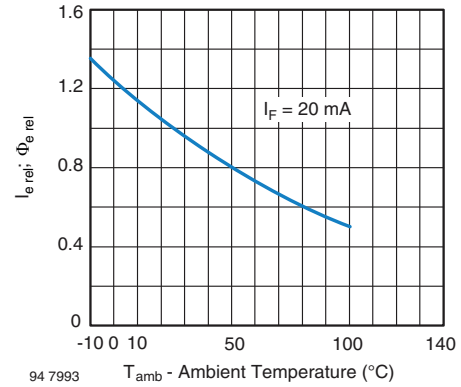


Fig. 6 - Radiant Power vs. Forward Current



21534

Fig. 4 - Forward Current vs. Forward Voltage



94 7993

Fig. 7 - Relative Radiant Intensity/Power vs. Ambient Temperature

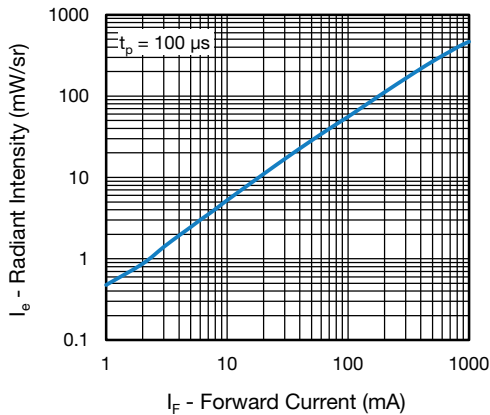
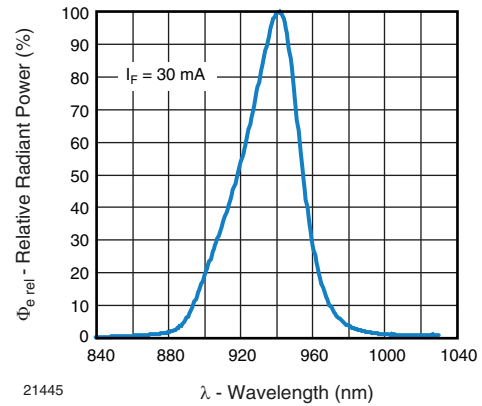


Fig. 5 - Radiant Intensity vs. Forward Current



21445

Fig. 8 - Relative Radiant Power vs. Wavelength

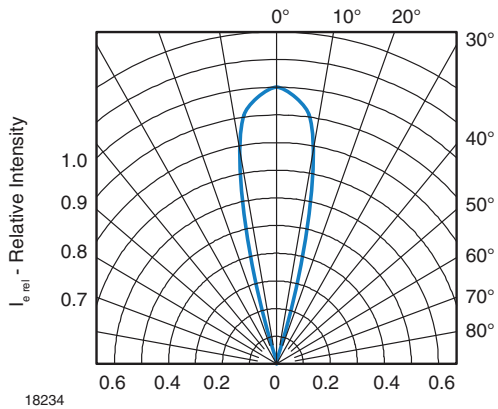


Fig. 9 - Relative Radiant Intensity vs. Angular Displacement

PRECAUTIONS FOR USE

1. Over-current-proof

Customer must apply resistors for protection, otherwise slight voltage shift will cause big current change (burn out will happen).

2. Storage

- Storage temperature and rel. humidity conditions are: 5 °C to 35 °C, R.H. 60 %.
- Floor life must not exceed 168 h, according to JEDEC® level 3, J-STD-020.
Once the package is opened, the products should be used within a week. Otherwise, they should be kept in a damp proof box with desiccant. Considering tape life, we suggest to use products within one year from production date.
- If opened more than one week in an atmosphere 5 °C to 35 °C, R.H. 60 %, devices should be treated at 60 °C ± 5 °C for 15 h.
- If humidity indicator in the package shows pink color (normal blue), then devices should be treated with the same conditions as 2.3.

REFLOW SOLDER PROFILE

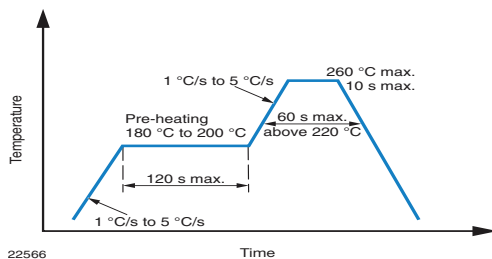
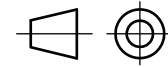
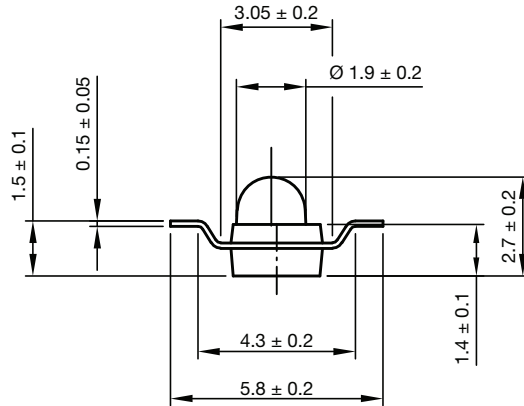


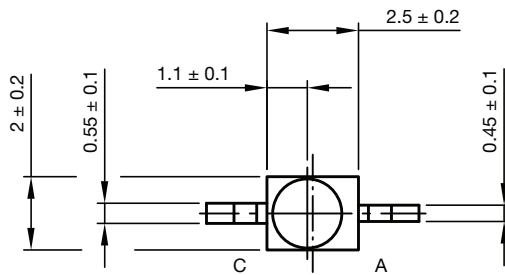
Fig. 10 - Lead (Pb)-Free Reflow Solder Profile According to J-STD-020



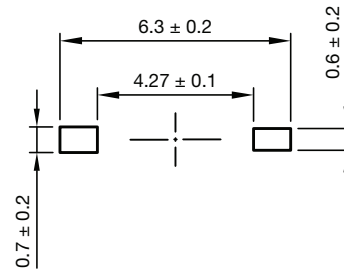
PACKAGE DIMENSIONS in millimeters: TSML1000



Technical drawings according to DIN specifications

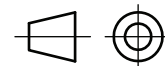
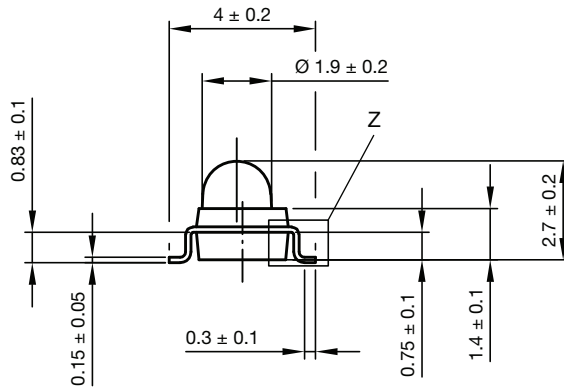


Solder pad proposal

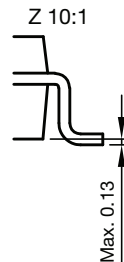
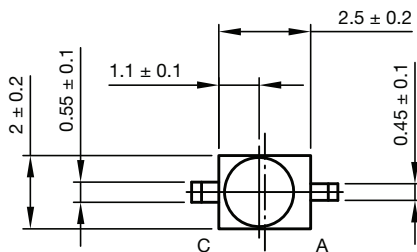


Drawing-No.: 6.544-5326.02-4
Issue: 5; 15.09.2021

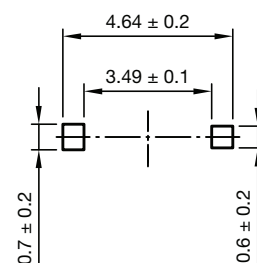
PACKAGE DIMENSIONS in millimeters: TSML1020



Technical drawings according to DIN specifications



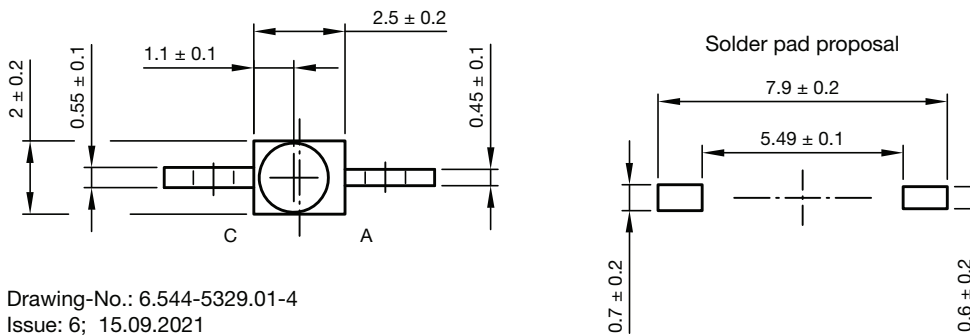
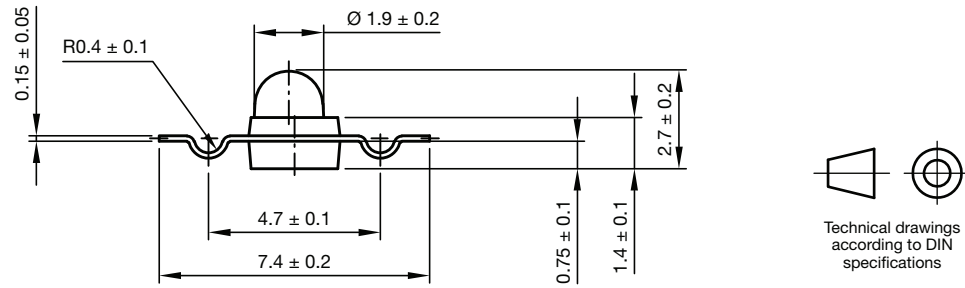
Solder pad proposal



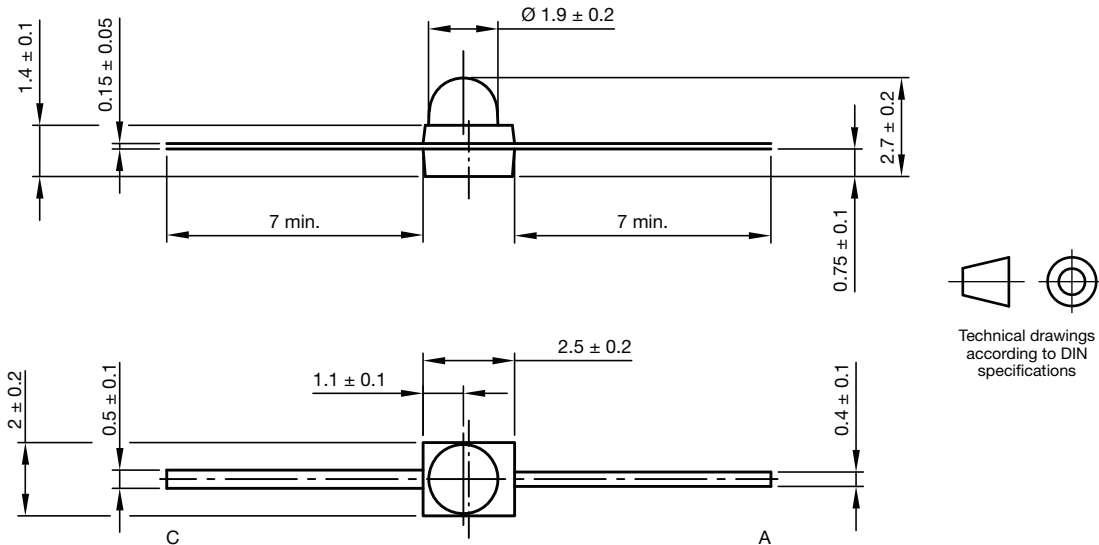
Drawing-No.: 6.544-5325.02-4
Issue: 5; 15.09.2021



PACKAGE DIMENSIONS in millimeters: TSML1030



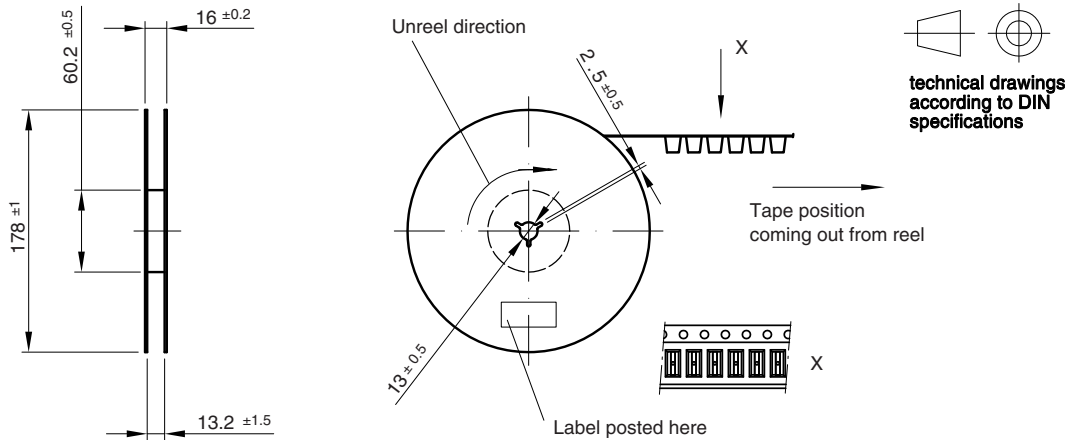
PACKAGE DIMENSIONS in millimeters: TSML1040



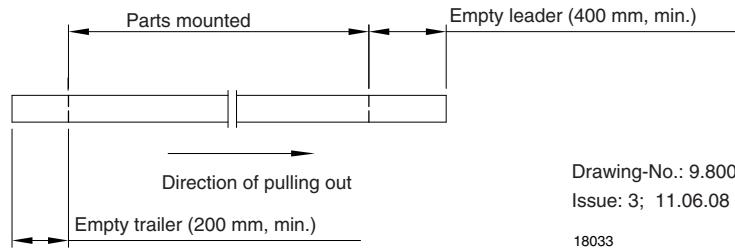
Drawing-No.: 6.544-5339.02-4
Issue: 4; 04.08.2021



REEL DIMENSIONS in millimeters

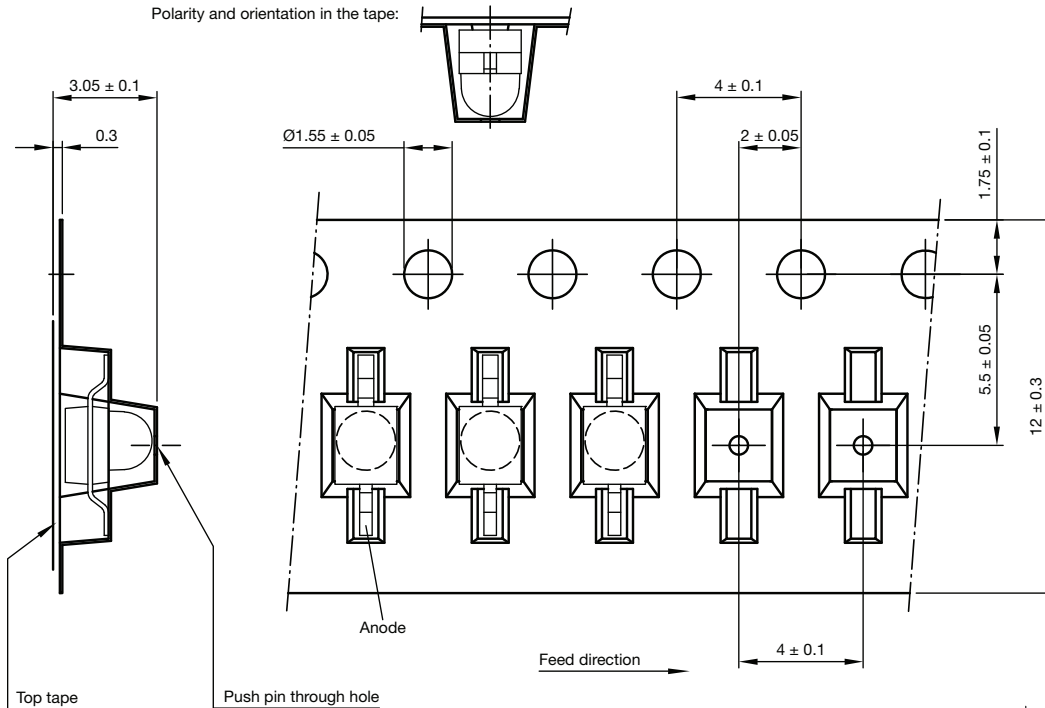


Leader and trailer tape:



TAPING DIMENSIONS in millimeters: TSML1000

Polarity and orientation in the tape:



Quantity per reel: 1000 pcs.

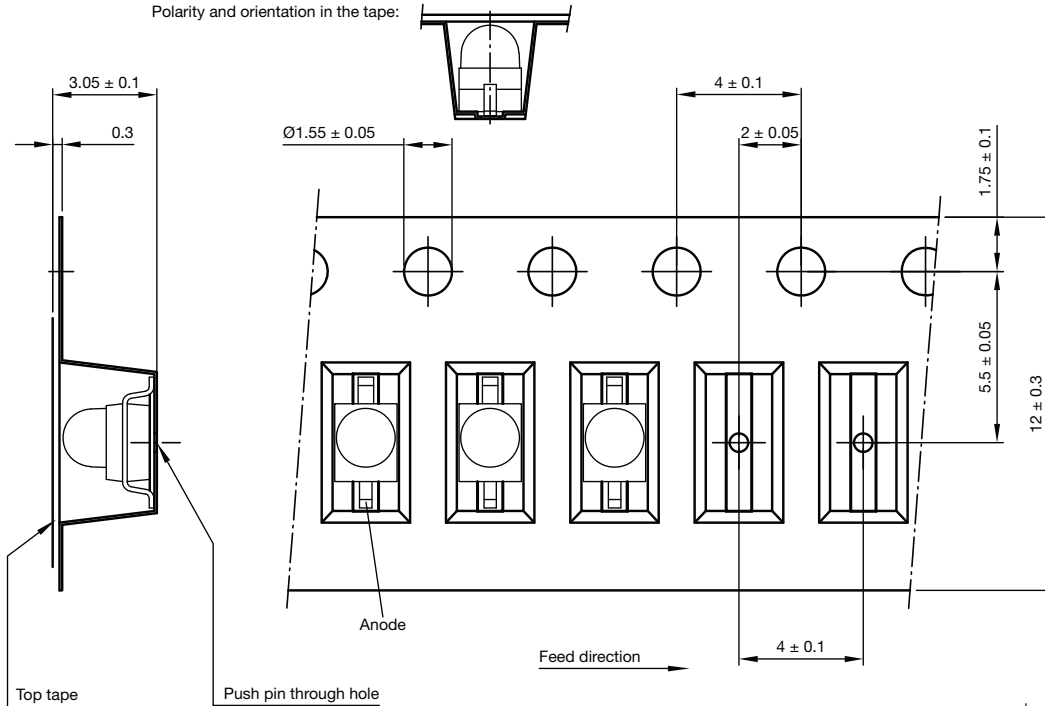
Drawing-No.: 9.700-5268.01-4
Issue: 3; 28.09.2021

Technical drawings according to DIN specifications



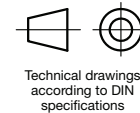
TAPING DIMENSIONS in millimeters: TSML1020

Polarity and orientation in the tape:



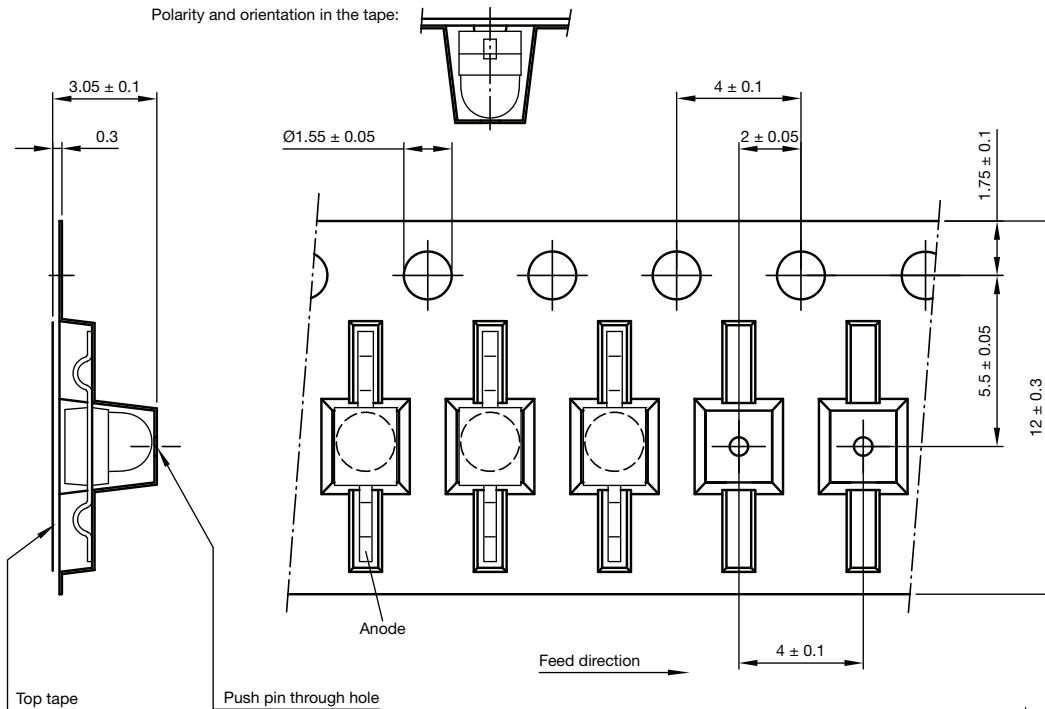
Quantity per reel: 1000 pcs.

Drawing-No.: 9.700-5269.01-4
Issue: 3; 28.09.2021



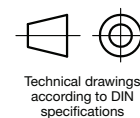
TAPING DIMENSIONS in millimeters: TSML1030

Polarity and orientation in the tape:



Quantity per reel: 1000 pcs.

Drawing-No.: 9.700-5270.01-4
Issue: 3; 28.09.2021





Disclaimer

ALL PRODUCT, PRODUCT SPECIFICATIONS AND DATA ARE SUBJECT TO CHANGE WITHOUT NOTICE TO IMPROVE RELIABILITY, FUNCTION OR DESIGN OR OTHERWISE.

Vishay Intertechnology, Inc., its affiliates, agents, and employees, and all persons acting on its or their behalf (collectively, "Vishay"), disclaim any and all liability for any errors, inaccuracies or incompleteness contained in any datasheet or in any other disclosure relating to any product.

Vishay makes no warranty, representation or guarantee regarding the suitability of the products for any particular purpose or the continuing production of any product. To the maximum extent permitted by applicable law, Vishay disclaims (i) any and all liability arising out of the application or use of any product, (ii) any and all liability, including without limitation special, consequential or incidental damages, and (iii) any and all implied warranties, including warranties of fitness for particular purpose, non-infringement and merchantability.

Statements regarding the suitability of products for certain types of applications are based on Vishay's knowledge of typical requirements that are often placed on Vishay products in generic applications. Such statements are not binding statements about the suitability of products for a particular application. It is the customer's responsibility to validate that a particular product with the properties described in the product specification is suitable for use in a particular application. Parameters provided in datasheets and / or specifications may vary in different applications and performance may vary over time. All operating parameters, including typical parameters, must be validated for each customer application by the customer's technical experts. Product specifications do not expand or otherwise modify Vishay's terms and conditions of purchase, including but not limited to the warranty expressed therein.

Hyperlinks included in this datasheet may direct users to third-party websites. These links are provided as a convenience and for informational purposes only. Inclusion of these hyperlinks does not constitute an endorsement or an approval by Vishay of any of the products, services or opinions of the corporation, organization or individual associated with the third-party website. Vishay disclaims any and all liability and bears no responsibility for the accuracy, legality or content of the third-party website or for that of subsequent links.

Except as expressly indicated in writing, Vishay products are not designed for use in medical, life-saving, or life-sustaining applications or for any other application in which the failure of the Vishay product could result in personal injury or death. Customers using or selling Vishay products not expressly indicated for use in such applications do so at their own risk. Please contact authorized Vishay personnel to obtain written terms and conditions regarding products designed for such applications.

No license, express or implied, by estoppel or otherwise, to any intellectual property rights is granted by this document or by any conduct of Vishay. Product names and markings noted herein may be trademarks of their respective owners.