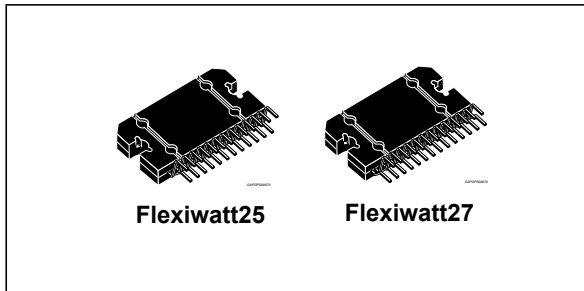


4 x 52 W quad bridge power amplifier with low voltage operation

Datasheet - production data



Features

- High output power capability:
 - 4 x 52 W/4 Ω max.
 - 4 x 30 W/4 Ω @ 14.4 V, 1 kHz, 10 %
 - 4 x 85 W/2 Ω max.
 - 4 x 55 W/2 Ω @ 14.4V, 1 kHz, 10 %
- MOSFET output power stage
- Stop-start and hybrid engines compliant
- Excellent 2 Ω driving capability
- Hi-Fi class distortion
- Low output noise
- Standby function and mute function
- Automute at min. supply voltage detection
- Low external component count:
 - Internally fixed gain (26 dB)

- No external compensation
- No bootstrap capacitors
- Protections:
 - Output short circuit to GND, to V_S , across the load
 - Very inductive loads
 - Overrating chip temperature with soft thermal limiter
 - Output DC offset detection
 - Load dump voltage
 - Fortuitous open GND
 - Reverse battery
 - ESD

Description

The STPA002 is a MOSFET class AB audio power amplifier, designed for high-power car radio. In addition to the outstanding output current capability and distortion performance, the STPA002 is extremely robust against several kinds of fortuitous misconnections.

It is compliant to the most recent OEM specifications for low voltage operation in start-stop vehicles, and can sustain hybrid vehicles battery transitions.

It includes a DC offset detector and, in Flexiwatt27 package, a clipping detector.

Table 1. Device summary

Order code	Package	Packing
STPA002OD-4WX	Flexiwatt25 (with OD)	Tube
STPA002CD-48X	Flexiwatt27 (with CD)	Tube

Contents

- 1 Overview 5**
 - 1.1 Block diagram 5
 - 1.2 Application circuits 6
- 2 Pin description 7**
- 3 Electrical specifications 9**
 - 3.1 Absolute maximum ratings 9
 - 3.2 Thermal data 9
 - 3.3 Electrical characteristics 9
- 4 Electrical characteristics typical curves 12**
- 5 General information 15**
 - 5.1 Operation 15
 - 5.2 Battery variations 16
 - 5.2.1 Low voltage operation 16
 - 5.2.2 Cranks 16
 - 5.2.3 Advanced battery management (hybrid vehicles) 17
 - 5.3 Protections 18
 - 5.3.1 Short circuits and open circuit operation 18
 - 5.3.2 Over-voltage and load dump protection 18
 - 5.3.3 Thermal protection 18
 - 5.4 Warnings 19
 - 5.4.1 DC offset detection (OD pin) 19
 - 5.4.2 Clipping detection and diagnostics (CD-DIAG pin) 19
 - 5.5 Heat sink definition 20
- 6 Package information 21**
- 7 Revision history 23**

List of tables

Table 1.	Device summary	1
Table 2.	Pin functions	8
Table 3.	Absolute maximum ratings	9
Table 4.	Thermal data	9
Table 5.	Electrical characteristics	9
Table 6.	Document revision history	23

List of figures

Figure 1.	Block diagram	5
Figure 2.	Standard test and application circuit (Flexiwatt25)	6
Figure 3.	Standard test and application circuit (Flexiwatt27)	6
Figure 4.	Pin connections (top view)	7
Figure 5.	Quiescent current vs. supply voltage	12
Figure 6.	Output power vs. supply voltage (4 Ω)	12
Figure 7.	Output power vs. supply voltage (2 Ω)	12
Figure 8.	Distortion vs. output power (4 Ω)	12
Figure 9.	Distortion vs. output power (2 Ω)	12
Figure 10.	Distortion vs. frequency (4 Ω)	12
Figure 11.	Distortion vs. frequency (2 Ω)	13
Figure 12.	Distortion vs. output power (4 Ω , $V_s = 6$ V)	13
Figure 13.	Distortion vs. output power (2 Ω , $V_s = 6$ V)	13
Figure 14.	Supply voltage rejection vs. frequency	13
Figure 15.	Crosstalk vs. frequency	13
Figure 16.	Total power dissipation & efficiency vs. P_o (4 Ω , Sine)	13
Figure 17.	Power dissipation vs. average output power (4 Ω , audio program simulation)	14
Figure 18.	Power dissipation vs. average output power (2 Ω , audio program simulation)	14
Figure 19.	ITU R-ARM frequency response, weighting filter for transient pop	14
Figure 20.	SVR charge diagram	15
Figure 21.	Battery cranking curve example 1	16
Figure 22.	Battery cranking curve example 2	17
Figure 23.	Upwards fast battery transitions diagram	17
Figure 24.	Load dump protection diagram	18
Figure 25.	Thermal protection diagram	18
Figure 26.	Audio section waveforms	19
Figure 27.	Flexiwatt25 (vertical) mechanical data and package dimensions	21
Figure 28.	Flexiwatt27 (Vertical) mechanical data and package dimensions	22

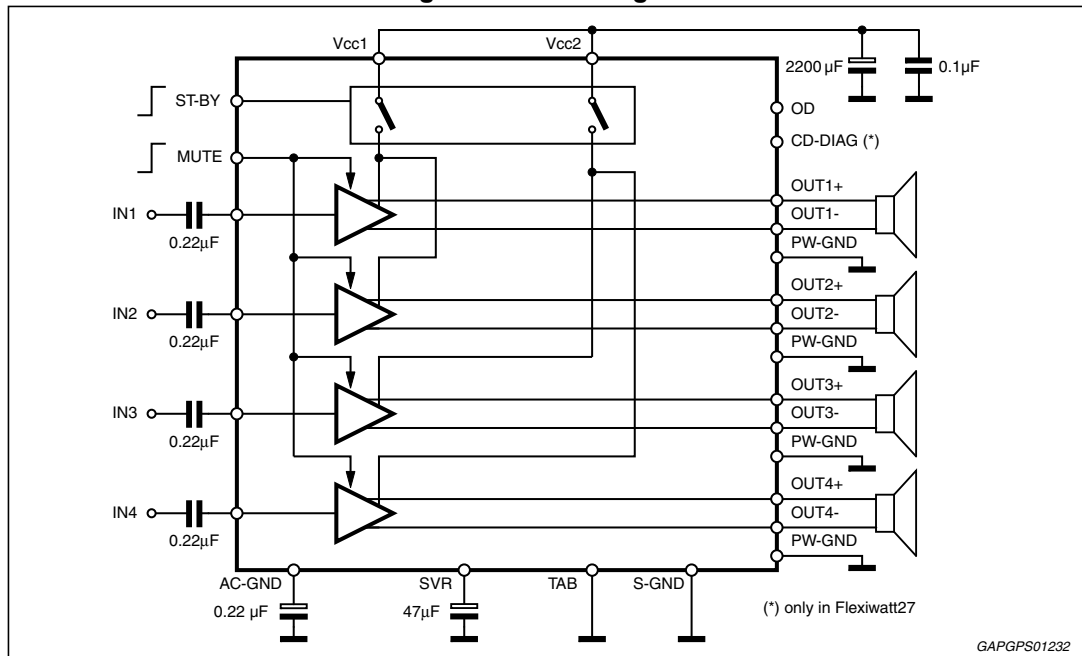
1 Overview

The STPA002 is a complementary quad audio power amplifier. It is available in two different packages, Flexiwatt25 and Flexiwatt27. It embeds four independent amplifiers working in class AB, a standby, a mute pin and an offset detector output. In the Flexiwatt27 package also a clipping detection pin with diagnostics information is available. The amplifier is fully operational down to a battery voltage of 6 V, without producing pop noise and continuing to play during battery transitions.

The STPA002 can drive 2 ohm loads and has a very high immunity to disturbs without need of external components or compensation. It is protected against any kind of short or open circuit, over-voltage and over-temperature.

1.1 Block diagram

Figure 1. Block diagram



1.2 Application circuits

Figure 2. Standard test and application circuit (Flexiwatt25)

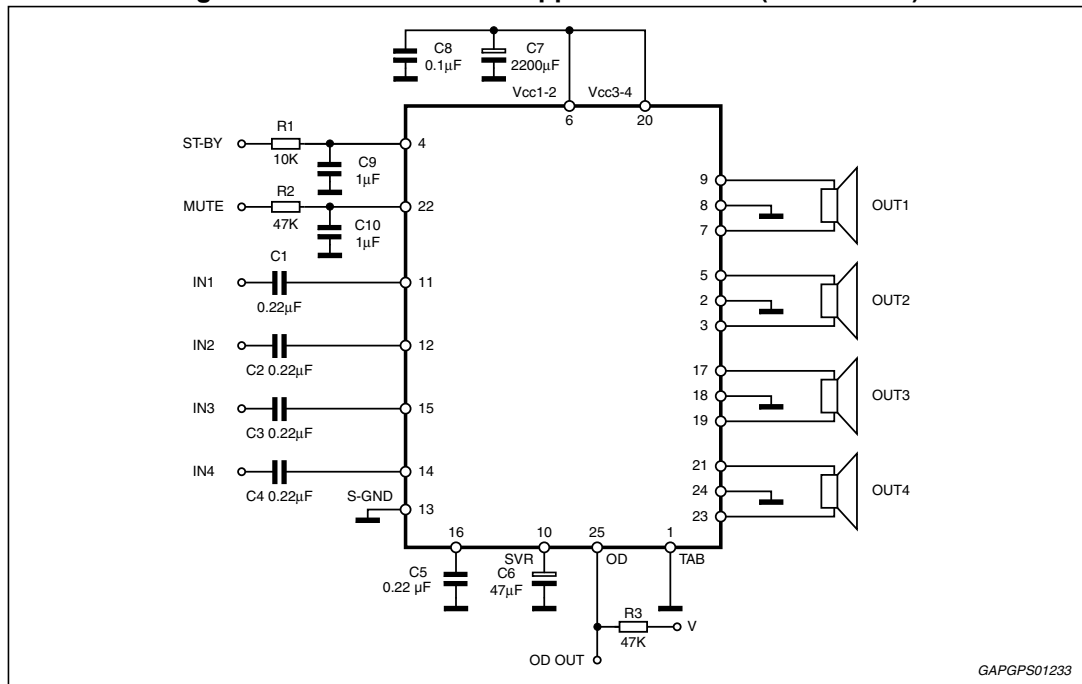
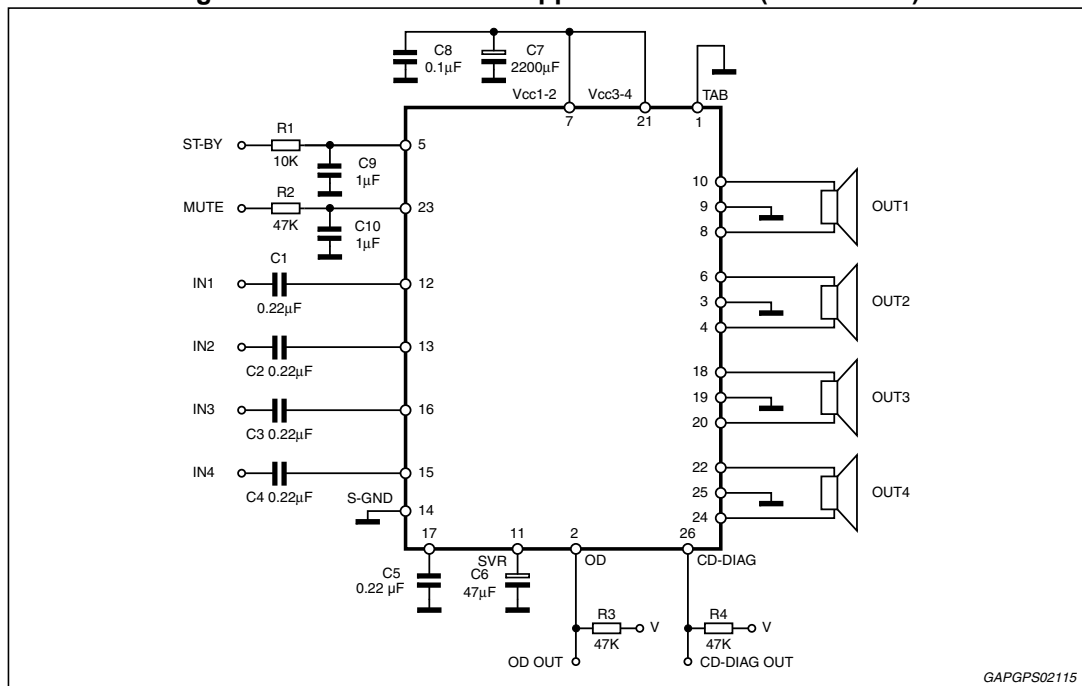
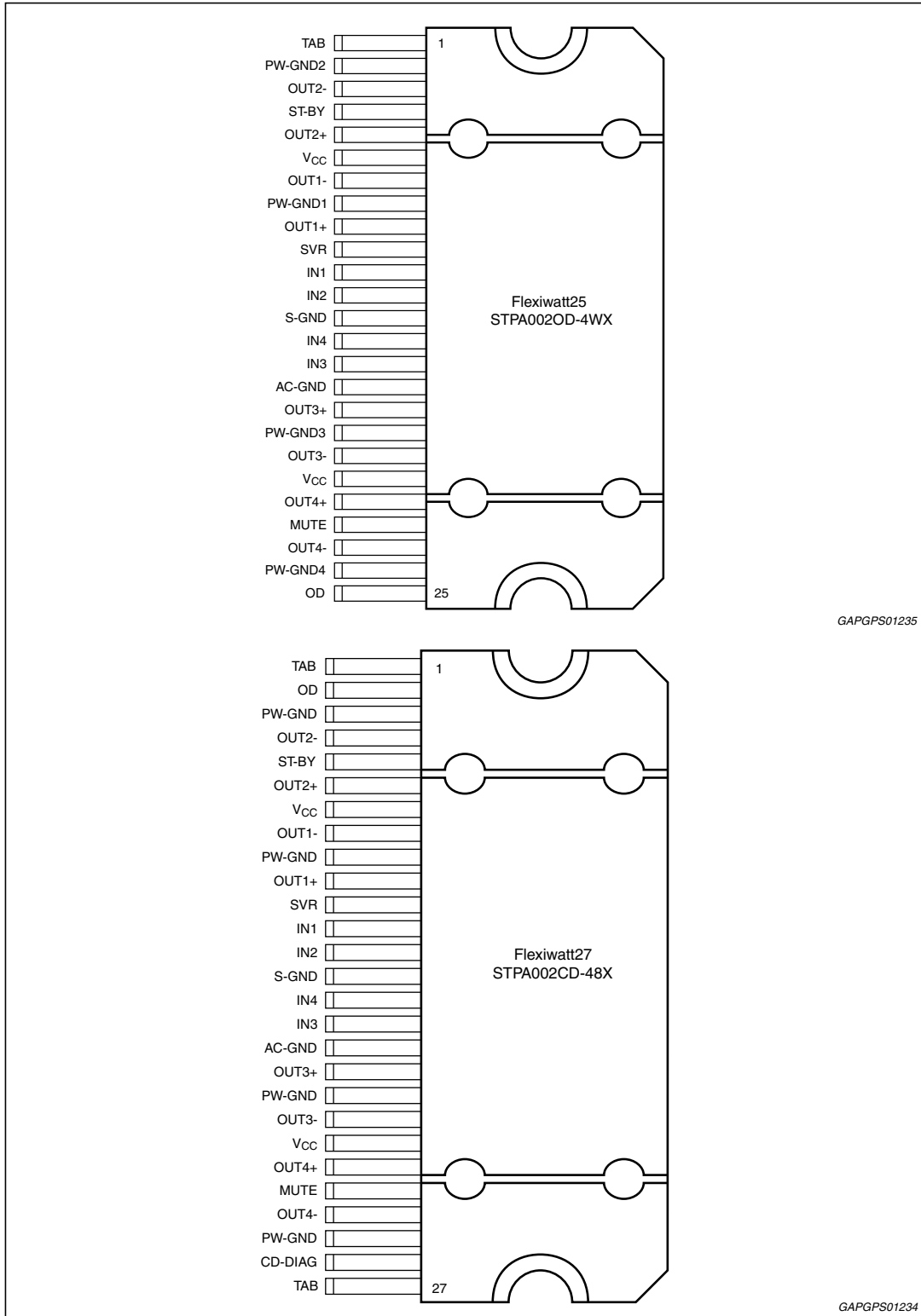


Figure 3. Standard test and application circuit (Flexiwatt27)



2 Pin description

Figure 4. Pin connections (top view)



GAPGPS01235

GAPGPS01234

Table 2. Pin functions

Pin number FW27	Pin number FW25	Pin name	Description
1	1	TAB	Device slug connection
2	25	OD	Offset detector output
3	2	PW-GND2	Channel 2, output power ground
4	3	OUT2-	Channel 2, negative output
5	4	ST-BY	Stand-by
6	5	OUT2+	Channel 2, positive output
7	6	VCC	Supply voltage
8	7	OUT1-	Channel 1, negative output
9	8	PW-GND1	Channel 1, output power ground
10	9	OUT1+	Channel 1, positive output
11	10	SVR	Supply voltage rejection pin
12	11	IN1	Channel 1, input
13	12	IN2	Channel 2, input
14	13	S-GND	Signal ground
15	14	IN4	Channel 4, input
16	15	IN3	Channel 3, input
17	16	AC-GND	AC ground
18	17	OUT3+	Channel 3, positive output
19	18	PW-GND3	Channel 3, output power ground
20	19	OUT3-	Channel 3, negative output
21	20	VCC	Supply voltage
22	21	OUT4+	Channel 4, positive output
23	22	MUTE	Mute pin
24	23	OUT4-	Channel 4, negative output
25	24	PW-GND4	Channel 4, output power ground
26	n.a	CD-DIAG	Clipping detector and diagnostics output
27	n.a	TAB	Device slug connection

3 Electrical specifications

3.1 Absolute maximum ratings

Table 3. Absolute maximum ratings

Symbol	Parameter	Value	Unit
V_S	Operating supply voltage	18	V
$V_{S(DC)}$	DC supply voltage	28	V
$V_{S(pk)}$	Peak supply voltage (for $t = 50$ ms)	50	V
I_O	Output peak current Non repetitive ($t = 100$ μ s)	10	A
	Repetitive (duty cycle 10 % at $f = 10$ Hz)	9	A
T_j	Junction temperature	150	$^{\circ}$ C
T_{stg}	Storage temperature	-55 to 150	$^{\circ}$ C
GND_{max}	Ground pin voltage	-0.3 to 0.3	V
$V_{in max}$	Input pin max voltage	-0.3 to 8	V
$V_{SB max}$	ST-BY pin max voltage	-0.3 to $V_{S(pk)}$	V
$V_{mute max}$	Mute pin max voltage	-0.3 to 6	V

3.2 Thermal data

Table 4. Thermal data

Symbol	Parameter	Value	Unit
$R_{th j-case}$	Thermal resistance junction-to-case Max.	1	$^{\circ}$ C/W

3.3 Electrical characteristics

Refer to the test and application diagram, $V_S = 14.4$ V; $R_L = 4$ Ω ; $R_g = 600$ Ω ; $f = 1$ kHz; $T_{amb} = 25$ $^{\circ}$ C; unless otherwise specified.

Table 5. Electrical characteristics

Symbol	Parameter	Test condition	Min.	Typ.	Max.	Unit
General characteristics						
V_S	Supply voltage range	-	6	-	18	V
I_{q1}	Quiescent current	$R_L = \infty$	100	200	300	mA
V_{OS}	Output offset voltage	Mute mode	-75	-	+75	mV

Table 5. Electrical characteristics (continued)

Symbol	Parameter	Test condition	Min.	Typ.	Max.	Unit
dV _{OS}	During mute ON/OFF output offset voltage	ITU R-ARM weighted	-7.5	-	+7.5	mV
	During standby ON/OFF output offset voltage		-15	-	+15	mV
R _i	Input impedance	-	45	55	65	kΩ
I _{SB}	Standby current consumption	V _{St-by} = 1.2 V	-	-	2	μA
		V _{St-by} = 0	-	-	1	μA
Audio performances						
P _O	Output power	V _S = 14.4 V; THD = 10 %	27	30	-	W
		V _S = 14.4 V; THD = 1 %	21	24	-	W
		V _S = 14.4 V; THD = 10 %, 2 Ω	49	55	-	W
		V _S = 14.4 V; THD = 1 %, 2 Ω	39	43	-	W
P _{O max.}	Max. output power ⁽¹⁾	V _S = 15.2 V; R _L = 4 Ω	-	52	-	W
THD	Distortion	P _O = 4 W	-	0.01	0.04	%
G _V	Voltage gain	-	25	26	27	dB
dG _V	Channel gain unbalance	-	-1	-	+1	dB
e _{No}	Output Noise	"A" Weighted	-	40	-	μV
		Bw = 20 Hz to 20 kHz	-	50	70	μV
SVR	Supply voltage rejection	f = 100 Hz; V _r = 1 Vrms	60	70	-	dB
f _{ch}	High cut-off frequency	P _O = 0.5 W	100	300	-	kHz
C _T	Cross talk	f = 1 kHz P _O = 4 W	65	75	-	dB
		f = 10 kHz P _O = 4 W	45	60	-	dB
A _M	Mute attenuation	P _{Oref} = 4 W	85	95	-	dB
Control pin characteristics						
I _{pin5}	Standby pin current	V _{St-by} = 1.2 V to 2.6 V	-	-	0.5	μA
V _{SB out}	Standby out threshold voltage	(Amp: ON)	2.6	-	-	V
V _{SB in}	Standby in threshold voltage	(Amp: OFF)	-	-	1.2	V
V _{M out}	Mute out threshold voltage	(Amp: Play)	2.6	-	-	V
V _{M in}	Mute in threshold voltage	(Amp: Mute)	-	-	1.2	V
V _{AM in}	V _S automute threshold	(Amp: Mute) Att ≥ 80 dB; P _{Oref} = 4 W	4.5	5	5.5	V
		(Amp: Play) Att < 0.1 dB; P _O = 0.5 W	-	-	6	V
I _{pin23}	Muting pin current	V _{MUTE} = 1.2 V (Sourced current)	6	8.5	11	μA

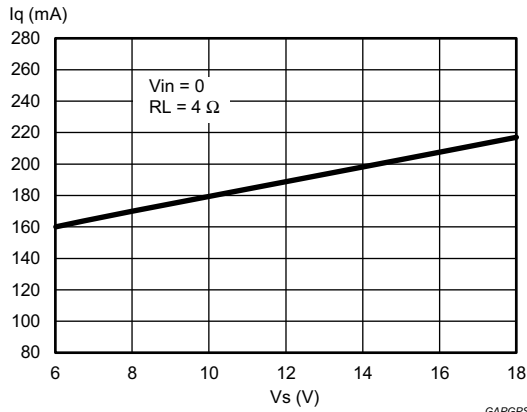
Table 5. Electrical characteristics (continued)

Symbol	Parameter	Test condition	Min.	Typ.	Max.	Unit
Offset detector						
V_{OFF}	Detected differential output offset	-	± 1	± 2	± 3	V
V_{OFF_SAT}	Off detector saturation voltage	$V_o > \pm 3$ V, $I_{off\ Det} = 1$ mA	-	0.2	0.4	V
V_{OFF_LK}	Off detector leakage current	$V_o < \pm 1$ V	-	0	15	μ A
Clipping detector ⁽²⁾						
CD_{LK}	Clip detector high leakage current	Cd off	-	0	1	μ A
CD_{SAT}	Clip detector saturation voltage	DC On; $I_{CD} = 1$ mA	-	0.2	0.4	V
CD_{THD}	Clip detector THD level	-	-	1	-	%

1. Saturated square wave output
2. Clipping detection is guaranteed till a minimum supply voltage of 7 V.

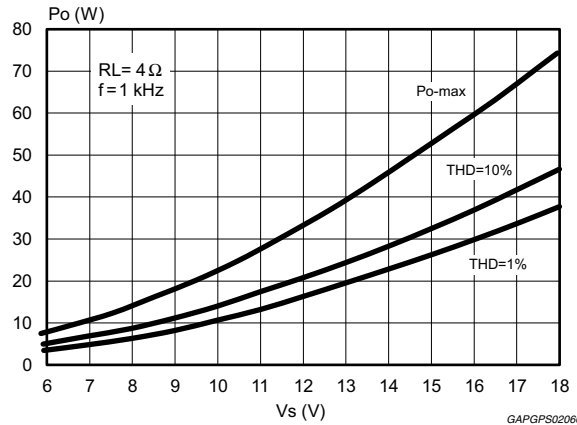
4 Electrical characteristics typical curves

Figure 5. Quiescent current vs. supply voltage



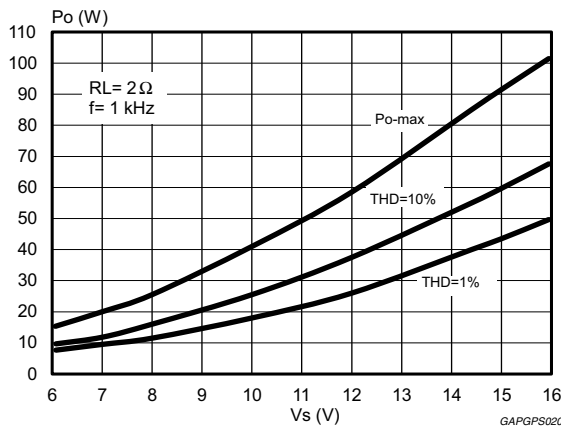
GAPGPS02065

Figure 6. Output power vs. supply voltage (4 Ω)



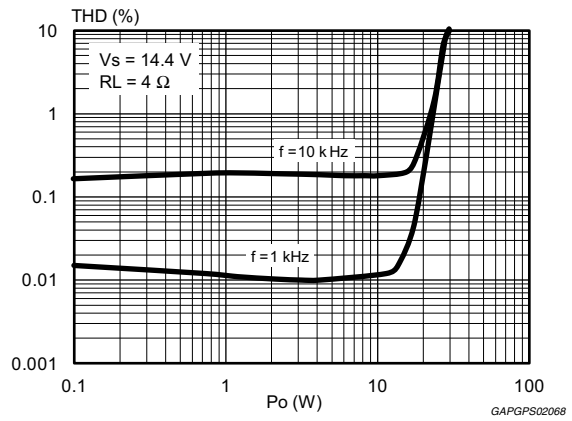
GAPGPS02066

Figure 7. Output power vs. supply voltage (2 Ω)



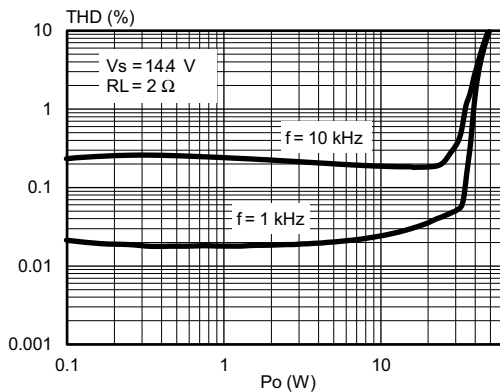
GAPGPS02067

Figure 8. Distortion vs. output power (4 Ω)



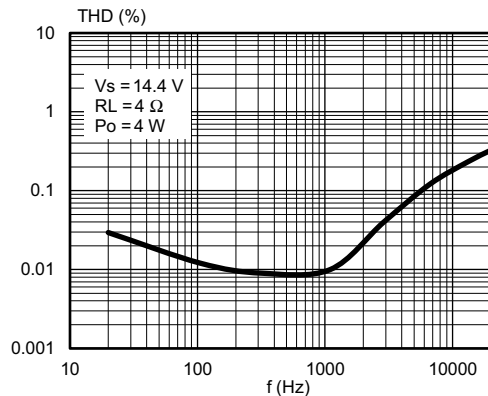
GAPGPS02068

Figure 9. Distortion vs. output power (2 Ω)



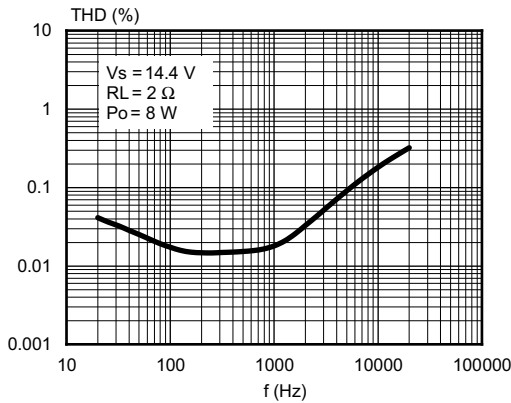
GAPGPS02070

Figure 10. Distortion vs. frequency (4 Ω)



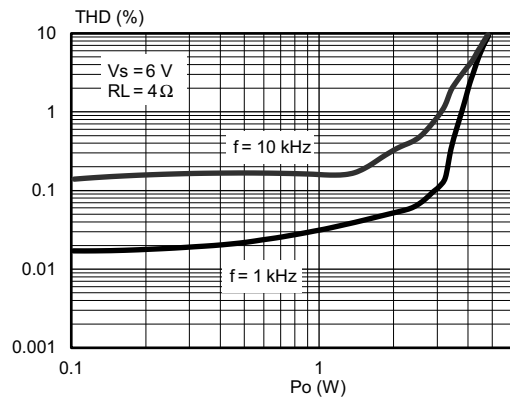
GAPGPS02069

Figure 11. Distortion vs. frequency (2 Ω)



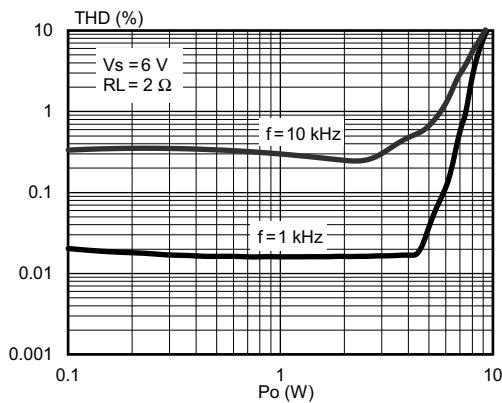
GAPGPS02071

Figure 12. Distortion vs. output power (4 Ω, Vs = 6 V)



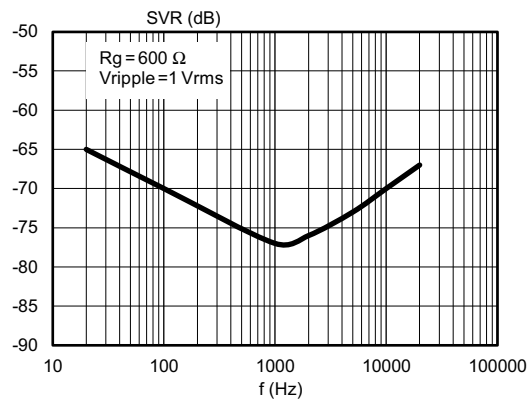
GAPGPS02072

Figure 13. Distortion vs. output power (2 Ω, Vs = 6 V)



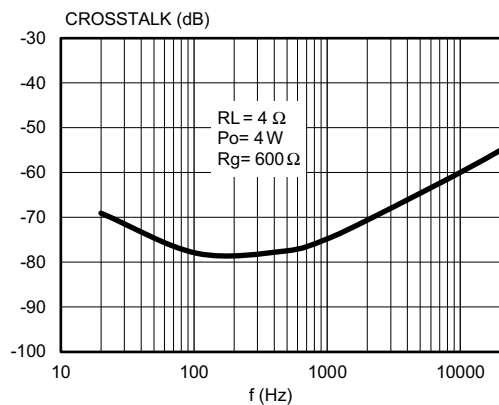
GAPGPS02073

Figure 14. Supply voltage rejection vs. frequency



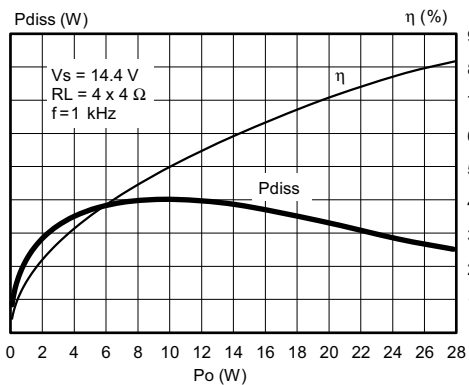
GAPGPS02074

Figure 15. Crosstalk vs. frequency



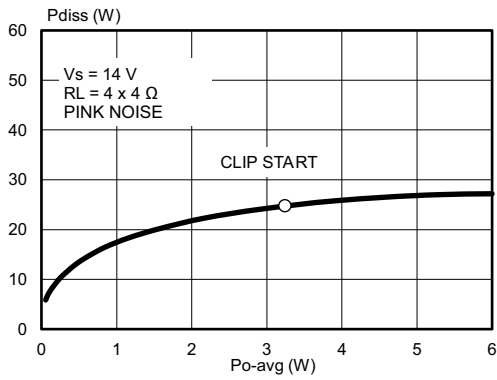
GAPGPS02075

Figure 16. Total power dissipation & efficiency vs. Po (4 Ω, Sine)



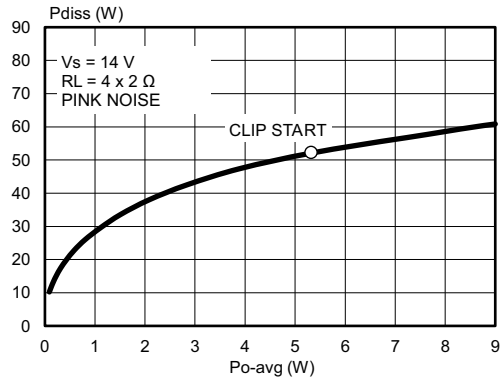
GAPGPS02076

Figure 17. Power dissipation vs. average output power (4 Ω, audio program simulation)



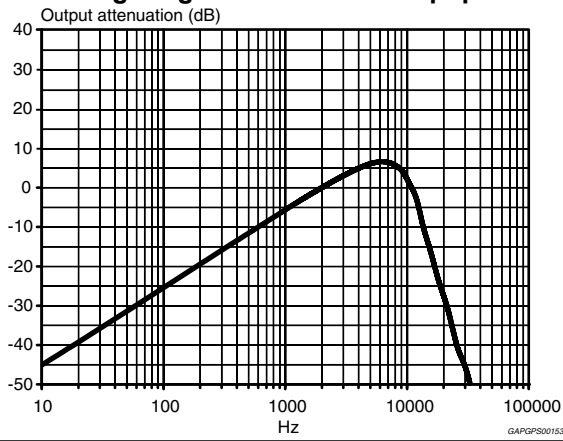
GAPGPS02077

Figure 18. Power dissipation vs. average output power (2 Ω, audio program simulation)



GAPGPS02078

Figure 19. ITU R-ARM frequency response, weighting filter for transient pop



GAPGPS0153

5 General information

5.1 Operation

The STPA002's inputs are ground-compatible. If the standard value for the input capacitors (0.22 μF) is adopted, the low frequency cut-off will amount to 16 Hz. The input capacitors should have the same value of the capacitor connected to AC-GND pin for optimum pop performances (see [Figure 2: Standard test and application circuit \(Flexiwatt25\)](#)).

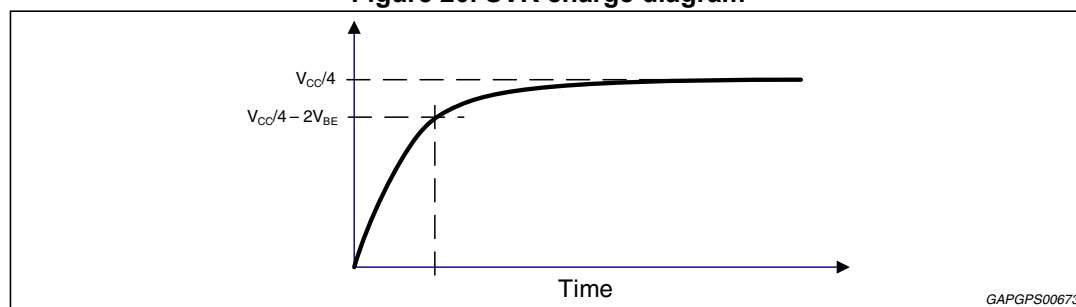
Standby and mute pins are 3.3 V and 5 V compatible.

RC cells at both mute and stand-by pins have always to be used in order to smooth the transitions for preventing any audible transient noise. A time constant slower than 2.5 V/ms is suggested for the stand-by pin and 0.5 V/ms for the mute pin.

In case the standby function is not used, it could steadily be connected to V_s through a 470 k Ω resistor.

The capacitance on SVR sets the start-up and shut-down times and helps to have pop-noise free transitions. Its minimum recommended value is 10 μF . However, to have a fast start-up time, the internal resistor on SVR pin, used to set the time constant, is reduced from 100 k Ω to 3 k Ω till voltage on SVR reaches $V_{CC}/4 - 2V_{BE}$ and then released. In this way the capacitor on SVR is charged very quickly to $V_{CC}/4$, as shown in the following figure.

Figure 20. SVR charge diagram



SVR pin accomplishes multiple functions:

- it is used as a reference voltage for input pins ($V_{CC}/4$)
- the capacitor connected to SVR helps the supply voltage ripple rejection
- it is used as a reference to generate the half supply voltage for the output

When the amplifier goes in stand-by mode or goes out from this condition, it is suggested to put the amplifier in mute to ensure the absence of audible noise. Then the standby pin can be set to the appropriate value (ground or > 2.6 V) and the capacitance on SVR pin is discharged or charged consequently.

5.2 Battery variations

5.2.1 Low voltage operation

The most recent OEM specifications require automatic stop of car engine at traffic lights, in order to reduce emissions of polluting substances. The STPA002, thanks to its innovating design, allows a continuous operation when battery falls down. At 6 V it is still fully operational, only the maximum output power is reduced accordingly to the available voltage supply.

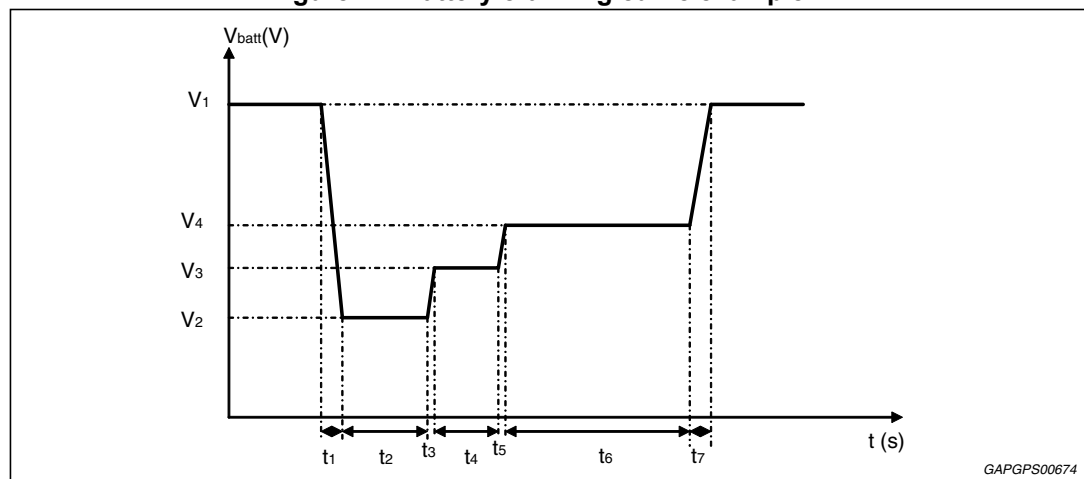
If the battery voltage drops below the minimum operating voltage of 6 V the amplifier is fast muted, the capacitor on SVR is discharged and the amplifier restarts when the battery voltage returns to the correct voltage.

5.2.2 Cranks

STPA002 can sustain worst case cranks from 16 V to 6 V, continuing to play and without producing any pop noise.

Examples of battery cranking curves are shown below, indicating the shape and duration of allowed battery transitions.

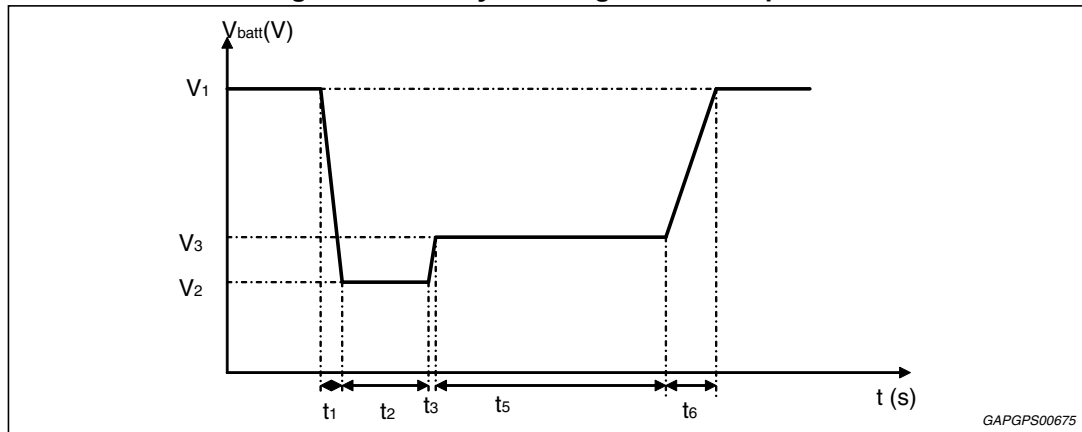
Figure 21. Battery cranking curve example 1



$V_1 = 16\text{ V}$; $V_2 = 6\text{ V}$; $V_3 = 7\text{ V}$; $V_4 = 8\text{ V}$

$t_1 = 2\text{ ms}$; $t_2 = 50\text{ ms}$; $t_3 = 5\text{ ms}$; $t_4 = 300\text{ ms}$; $t_5 = 10\text{ ms}$; $t_6 = 1\text{ s}$; $t_7 = 2\text{ ms}$

Figure 22. Battery cranking curve example 2



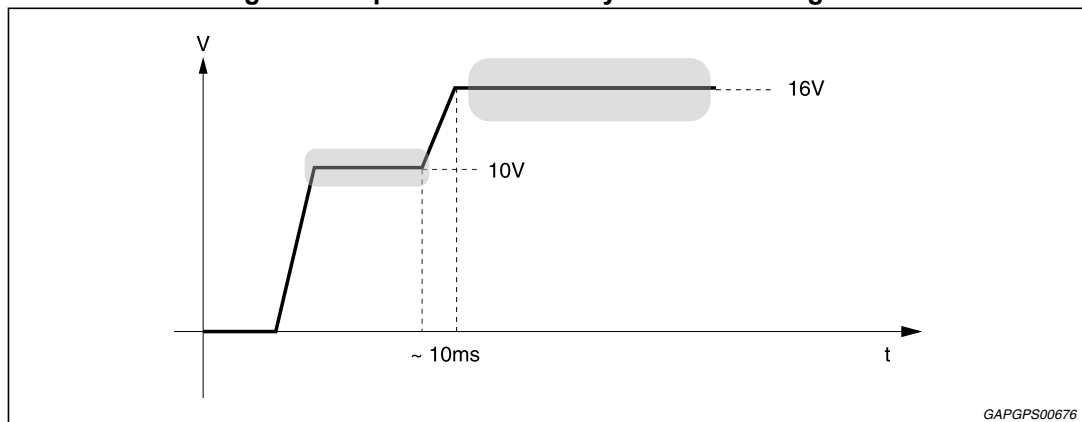
$V1 = 16 \text{ V}; V2 = 6 \text{ V}; V3 = 7 \text{ V}$

$t1 = 2 \text{ ms}; t2 = 5 \text{ ms}; t3 = 15 \text{ ms}; t5 = 1 \text{ s}; t6 = 50 \text{ ms}$

5.2.3 Advanced battery management (hybrid vehicles)

In addition to compatibility with low V_{batt} , the STPA002 is able to sustain upwards fast battery transitions without causing unwanted audible effects, like pop noise, and without any sound interruption thanks to the innovative circuit topology. In fact, in hybrid vehicles, the engine ignition causes a fast increase of battery voltage which can reach 16 V in less than 10 ms.

Figure 23. Upwards fast battery transitions diagram



5.3 Protections

5.3.1 Short circuits and open circuit operation

When the IC detects a short circuit to ground, to V_{supply} or across the load, the output of the amplifier is put in three-state (high impedance condition). The power stage remains in this condition until the short is removed.

In case of short circuit to ground or V_{cc} , the amplifier exits from the three-state condition only when the output returns inside the limits imposed by an internal voltage comparator.

When a short across the load is present, the power stage sees an over-current and is brought in protection mode for 150 μs . After this time, if the short circuit condition is removed the amplifier returns to play, otherwise the high impedance state is maintained and the check is repeated every 150 μs .

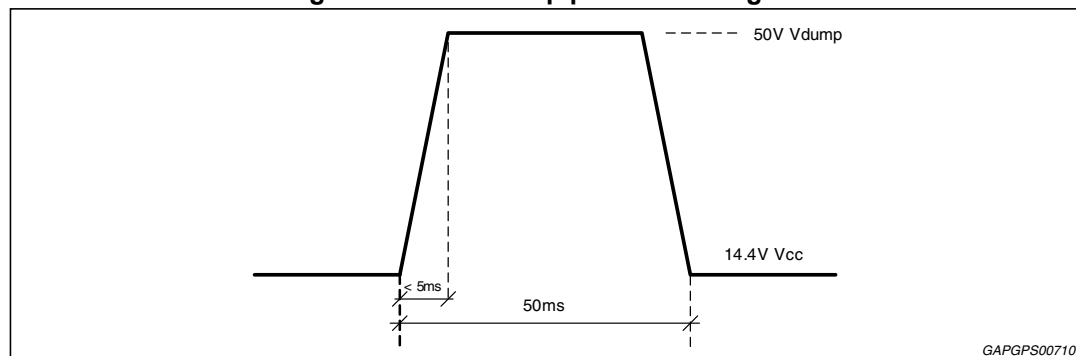
Disconnection of load (open load condition) doesn't damage the amplifier, which continues to play.

5.3.2 Over-voltage and load dump protection

When the battery voltage is higher than 19 V, the amplifier is switched to a high impedance state. It stops playing till the supply voltage returns in the permitted range.

The amplifier is protected against load dump surges having amplitude as high as 50 V and a rising time lower than 5 ms (see *Figure 24*).

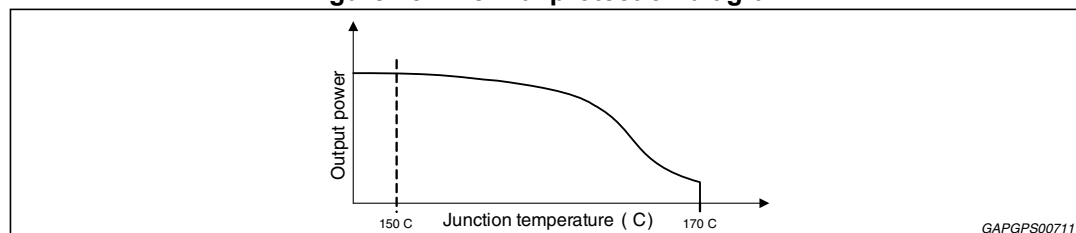
Figure 24. Load dump protection diagram



5.3.3 Thermal protection

If the junction temperature of the IC reaches $T_j = 150\text{ }^\circ\text{C}$, a smooth mute is applied to reduce output power and limit power dissipation. If this is not enough and the junction temperature continues to increase, the amplifier is switched off when it reaches the maximum temperature of $170\text{ }^\circ\text{C}$.

Figure 25. Thermal protection diagram



5.4 Warnings

5.4.1 DC offset detection (OD pin)

The STPA002 integrates a DC offset detector to avoid that an anomalous input DC offset is multiplied by the amplifier gain producing a dangerous large offset at the output. In fact an output offset may lead to speakers damage for overheating. To correctly detect a DC offset, the power amplifier has to be un-muted with no input signal.

When the differential output voltage is out of a window comparator with thresholds $\pm 2\text{ V}$ (typ), the OD pin is pulled down.

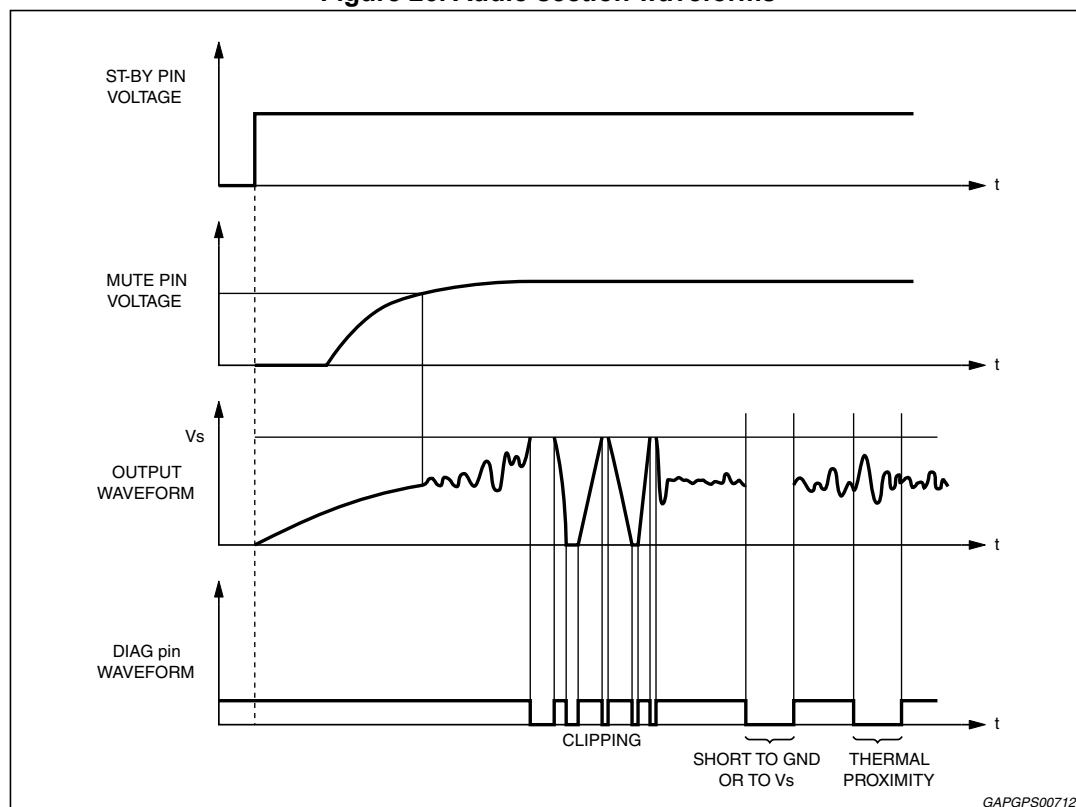
5.4.2 Clipping detection and diagnostics (CD-DIAG pin)

When clipping occurs, the output signal is distorted. If the signal distortion on one of the output channels exceeds 1 %, the CD-DIAG pin is pulled down. This information can be sent to an audio processor in order to reduce the input signal of the amplifier and reduce the clipping. Thanks to a particular internal circuitry, the clip detector is always functional till 7 V.

A short to ground and short to V_{cc} is signaled by CD-DIAG. This pin is pulled down to ground till these shorts are present to inform the user a protection occurred.

CD-DIAG acts also as thermal warning. In fact every time T_j exceeds $140\text{ }^\circ\text{C}$, it is pulled down to notify this occurrence.

Figure 26. Audio section waveforms



5.5 Heat sink definition

Assuming we have a dissipated power of 26 W (e.g. in the worst case situation of frequent clipping occurrence, with music signal), considering T_j max is 150 °C and assuming ambient temperature is 70 °C, the available temperature gap for a correct dissipation is 80 °C. This means the thermal resistance of the system R_{th} has to be $80 \text{ °C}/26 \text{ W} = 3 \text{ °C/W}$.

The junction to case thermal resistance is 1 °C/W. So the heat sink thermal resistance should be approximately 2 °C/W. This would avoid any thermal shutdown occurrence even after long-term and full-volume operation.

6 Package information

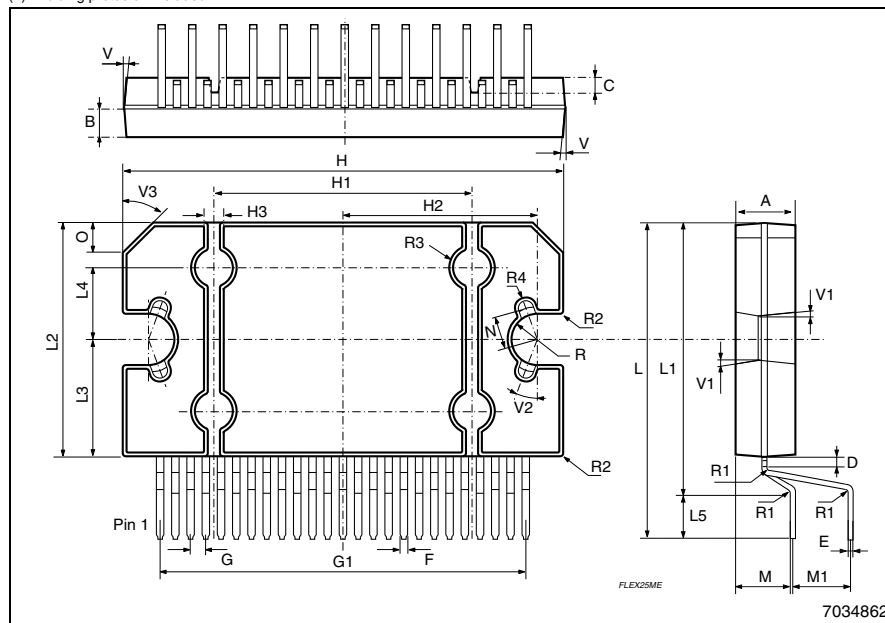
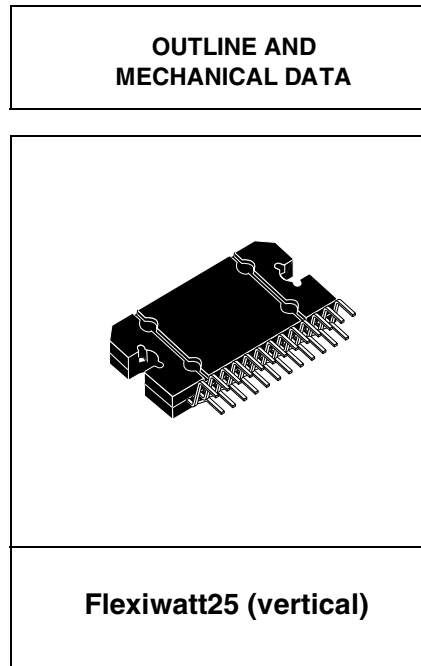
In order to meet environmental requirements, ST offers these devices in different grades of ECOPACK® packages, depending on their level of environmental compliance. ECOPACK® specifications, grade definitions and product status are available at: www.st.com.

ECOPACK® is an ST trademark.

Figure 27. Flexiwatt25 (vertical) mechanical data and package dimensions

DIM.	mm			inch		
	MIN.	TYP.	MAX.	MIN.	TYP.	MAX.
A	4.45	4.50	4.65	0.175	0.177	0.183
B	1.80	1.90	2.00	0.070	0.074	0.079
C		1.40			0.055	
D	0.75	0.90	1.05	0.029	0.035	0.041
E	0.37	0.39	0.42	0.014	0.015	0.016
F (1)			0.57			0.022
G	0.80	1.00	1.20	0.031	0.040	0.047
G1	23.75	24.00	24.25	0.935	0.945	0.955
H (2)	28.90	29.23	29.30	1.139	1.150	1.153
H1		17.00			0.669	
H2		12.80			0.503	
H3		0.80			0.031	
L (2)	22.07	22.47	22.87	0.869	0.884	0.904
L1	18.57	18.97	19.37	0.731	0.747	0.762
L2 (2)	15.50	15.70	15.90	0.610	0.618	0.626
L3	7.70	7.85	7.95	0.303	0.309	0.313
L4		5			0.197	
L5		3.5			0.138	
M	3.70	4.00	4.30	0.145	0.157	0.169
M1	3.60	4.00	4.40	0.142	0.157	0.173
N		2.20			0.086	
O		2			0.079	
R		1.70			0.067	
R1		0.5			0.02	
R2		0.3			0.12	
R3		1.25			0.049	
R4		0.50			0.019	
V					5° (Typ.)	
V1					3° (Typ.)	
V2					20° (Typ.)	
V3					45° (Typ.)	

(1): dam-bar protrusion not included
 (2): molding protrusion included



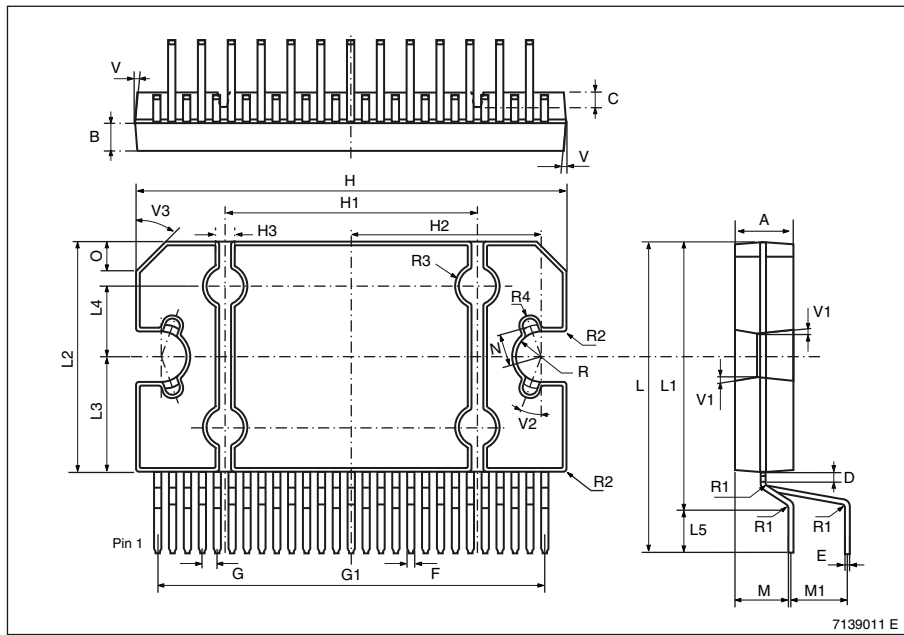
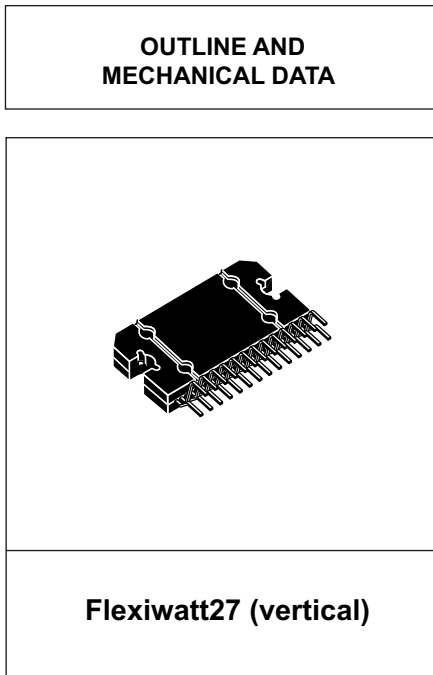
GAPGPS00669



Figure 28. Flexiwatt27 (Vertical) mechanical data and package dimensions

DIM.	mm			inch		
	MIN.	TYP.	MAX.	MIN.	TYP.	MAX.
A	4.45	4.50	4.65	0.175	0.177	0.183
B	1.80	1.90	2.00	0.070	0.074	0.079
C		1.40			0.055	
D	0.75	0.90	1.05	0.029	0.035	0.041
E	0.37	0.39	0.42	0.014	0.015	0.016
F ⁽¹⁾			0.57		0.022	
G	0.80	1.00	1.20	0.031	0.040	0.047
G1	25.75	26.00	26.25	1.014	1.023	1.033
H ⁽²⁾	28.90	29.23	29.30	1.139	1.150	1.153
H1		17.00			0.669	
H2		12.80			0.503	
H3		0.80			0.031	
L ⁽²⁾	22.07	22.47	22.87	0.869	0.884	0.904
L1	18.57	18.97	19.37	0.731	0.747	0.762
L2 ⁽²⁾	15.50	15.70	15.90	0.610	0.618	0.626
L3	7.70	7.85	7.95	0.303	0.309	0.313
L4		5			0.197	
L5		3.5			0.138	
M	3.70	4.00	4.30	0.145	0.157	0.169
M1	3.60	4.00	4.40	0.142	0.157	0.173
N		2.20			0.086	
O		2			0.079	
R		1.70			0.067	
R1		0.5			0.02	
R2		0.3			0.12	
R3		1.25			0.049	
R4		0.50			0.019	
V	5° (Typ.)					
V1	3° (Typ.)					
V2	20° (Typ.)					
V3	45° (Typ.)					

(1): dam-bar protusion not included; (2): molding protusion included.



7 Revision history

Table 6. Document revision history

Date	Revision	Changes
14-Mar-2013	1	Initial release.
05-Sep-2013	2	Updated <i>Figure 17 & 18</i> .
18-Sep2013	3	Updated Disclaimer.

Please Read Carefully:

Information in this document is provided solely in connection with ST products. STMicroelectronics NV and its subsidiaries ("ST") reserve the right to make changes, corrections, modifications or improvements, to this document, and the products and services described herein at any time, without notice.

All ST products are sold pursuant to ST's terms and conditions of sale.

Purchasers are solely responsible for the choice, selection and use of the ST products and services described herein, and ST assumes no liability whatsoever relating to the choice, selection or use of the ST products and services described herein.

No license, express or implied, by estoppel or otherwise, to any intellectual property rights is granted under this document. If any part of this document refers to any third party products or services it shall not be deemed a license grant by ST for the use of such third party products or services, or any intellectual property contained therein or considered as a warranty covering the use in any manner whatsoever of such third party products or services or any intellectual property contained therein.

UNLESS OTHERWISE SET FORTH IN ST'S TERMS AND CONDITIONS OF SALE ST DISCLAIMS ANY EXPRESS OR IMPLIED WARRANTY WITH RESPECT TO THE USE AND/OR SALE OF ST PRODUCTS INCLUDING WITHOUT LIMITATION IMPLIED WARRANTIES OF MERCHANTABILITY, FITNESS FOR A PARTICULAR PURPOSE (AND THEIR EQUIVALENTS UNDER THE LAWS OF ANY JURISDICTION), OR INFRINGEMENT OF ANY PATENT, COPYRIGHT OR OTHER INTELLECTUAL PROPERTY RIGHT.

ST PRODUCTS ARE NOT DESIGNED OR AUTHORIZED FOR USE IN: (A) SAFETY CRITICAL APPLICATIONS SUCH AS LIFE SUPPORTING, ACTIVE IMPLANTED DEVICES OR SYSTEMS WITH PRODUCT FUNCTIONAL SAFETY REQUIREMENTS; (B) AERONAUTIC APPLICATIONS; (C) AUTOMOTIVE APPLICATIONS OR ENVIRONMENTS, AND/OR (D) AEROSPACE APPLICATIONS OR ENVIRONMENTS. WHERE ST PRODUCTS ARE NOT DESIGNED FOR SUCH USE, THE PURCHASER SHALL USE PRODUCTS AT PURCHASER'S SOLE RISK, EVEN IF ST HAS BEEN INFORMED IN WRITING OF SUCH USAGE, UNLESS A PRODUCT IS EXPRESSLY DESIGNATED BY ST AS BEING INTENDED FOR "AUTOMOTIVE, AUTOMOTIVE SAFETY OR MEDICAL" INDUSTRY DOMAINS ACCORDING TO ST PRODUCT DESIGN SPECIFICATIONS. PRODUCTS FORMALLY ESCC, QML OR JAN QUALIFIED ARE DEEMED SUITABLE FOR USE IN AEROSPACE BY THE CORRESPONDING GOVERNMENTAL AGENCY.

Resale of ST products with provisions different from the statements and/or technical features set forth in this document shall immediately void any warranty granted by ST for the ST product or service described herein and shall not create or extend in any manner whatsoever, any liability of ST.

ST and the ST logo are trademarks or registered trademarks of ST in various countries.

Information in this document supersedes and replaces all information previously supplied.

The ST logo is a registered trademark of STMicroelectronics. All other names are the property of their respective owners.

© 2013 STMicroelectronics - All rights reserved

STMicroelectronics group of companies

Australia - Belgium - Brazil - Canada - China - Czech Republic - Finland - France - Germany - Hong Kong - India - Israel - Italy - Japan - Malaysia - Malta - Morocco - Philippines - Singapore - Spain - Sweden - Switzerland - United Kingdom - United States of America

www.st.com

Mouser Electronics

Authorized Distributor

Click to View Pricing, Inventory, Delivery & Lifecycle Information:

[STMicroelectronics:](#)

[STPA002CD-48X](#) [STPA002OD-4WX](#)