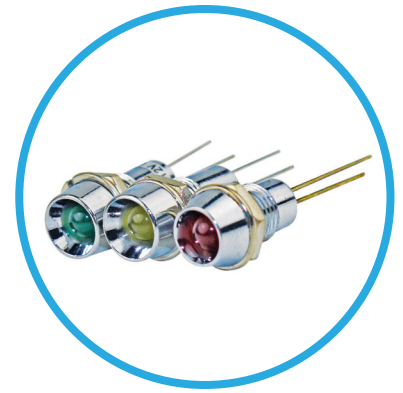


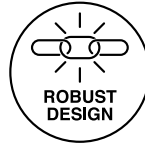
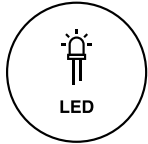
L65 Series

Ø0.315 (8.0mm) 5mm LED

Robust Panel Mount Indicator



L65 is available in a robust body and recessed LED position, supplied with lock washer and hex nut, in three different diffused LEDs colors



Applications

- Industrial
- Transportation
- Food Service
- People Movers
- Medical
- Maritime
- Oil and Gas Industry
- Manufacturing
- Automation and Control

Key Features

- Mounting Hole Size: 0.315" (8.0mm)
- Max. Panel Thickness: 0.196" (5.0mm)
- Max. Mounting Torque: 5.9 lbs-in (6.8kg-cm)
- Three colors available: red, green, yellow
- Low power consumption
- Body Material: Zinc Alloy, Chrome plated
- Base Material: Phenolic (UL94 V-1)
- Diffused T-1 3/4 (5mm) LED
- Straight leads terminals
- Rated Voltage from 2 to 24 VDC
- Reflector designed to allow maximum light distribution with a 30° or 45° viewing angle
- Front panel mounting
- Life expectancy of 100,000 hours
- High brightness LEDs for daylight viewing
- Mounting hardware provided. Fixing nut and washer included
- Recessed LED position
- Low power consumption
- For customized options, please contact VCC
- Compliant with RoHS and REACH requirements

Ordering Data

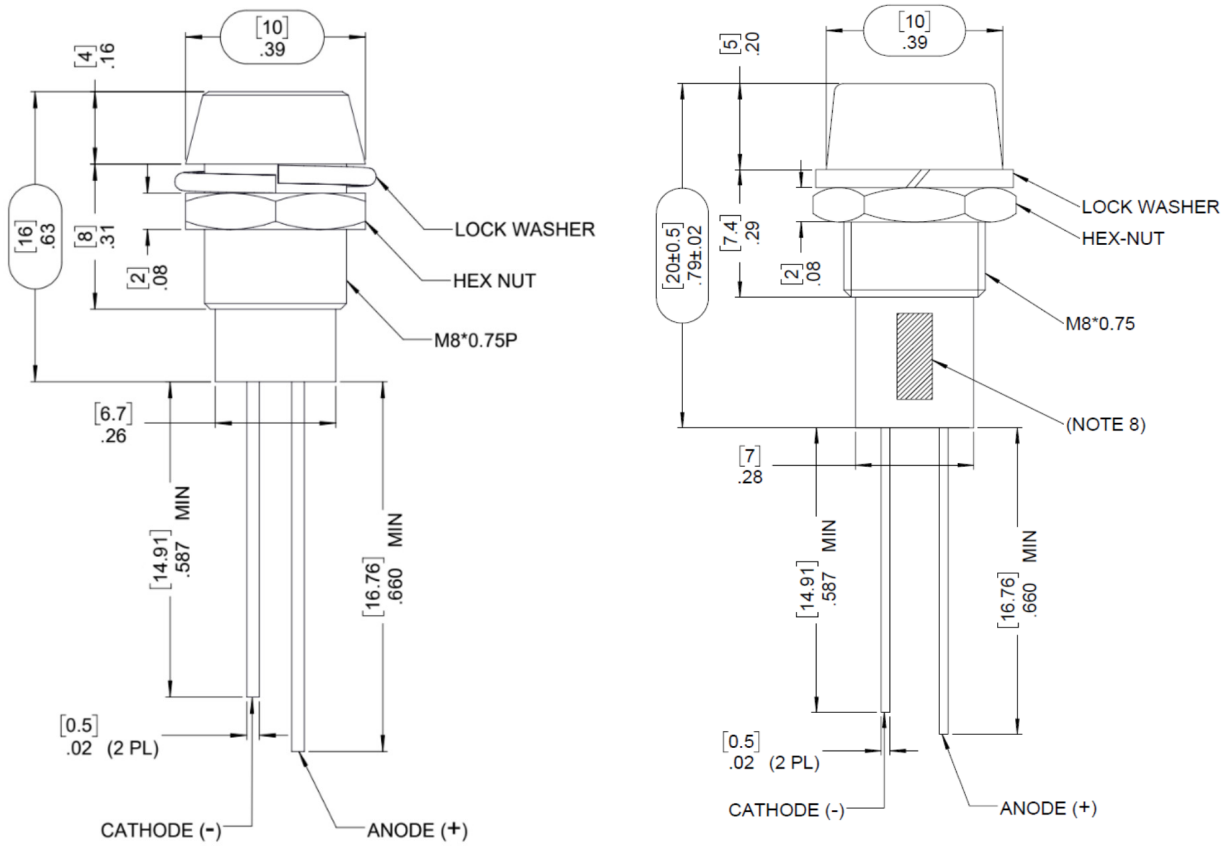
The L65 Series is available in a range of standard features and options.

To specify your Panel Mount Indicator, simply choose one option from each column.

Series	LED Size	LED Lens Type	Color	Rated Voltage	Termination Style
L	65	D	G	2	L
	65 5mm LED	Diffused	G Green R Red Y Yellow	2 2 VDC 12 12 VDC 24 24 VDC	Straight Leads

Product Dimensions

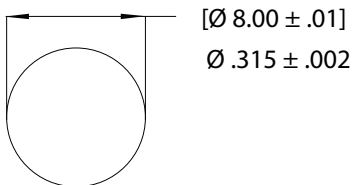
L65 Series



General tolerances unless otherwise specified

	inches	mm
.X	±.020	±.508
.XX	±.010	±.254

Recommended Mounting Hole



Notes:

1. All dimensions are in [mm] inches

Product Specifications

Materials	
Body	Zinc Alloy, Chrome plated
Base	Phenolic UL 94 V-1
Leads	Ag/Cu Plated Iron

Installation Specifications	
Mounting Hole	0.315 (8.0 mm)
Mounting Torque	5.9 lbf-in (6.8 kgf-cm)
Panel Thickness	0.019" to 0.196 (0.5 to 5.0 mm)

Temperature Specifications	
Operating Temperature	-25°C to +85°C -13°F to +185°F
Storage Temperature	-25°C to +85°C -13°F to +185°F

Part Number	Rated Voltage (V)	V _F			V _R (V)	I _F (mA)	Viewing Angle	Color	Luminous Intensity typ. (mcd)	Wavelength (nm)
		min.	typ.	max.						
L65DG2L	2	2.8	3.2	3.8	5	20	45	Green	1500	510-522
L65DR2L	2	1.7	1.9	2.4	5	20	45	Red	400	620-625
L65DY2L	2	1.7	2.1	2.6	5	20	30	Yellow	1500	585-595
L65DG12L	12	8.5	11.5	-	5	10	30	Green	20	565-575
L65DR12L	12	10	12	-	5	10	30	Red	30	617-627
L65DY12L	12	8.5	11.5	-	5	10	30	Yellow	15	582-592
L65DG24L	24	20	24	-	5	10	30	Green	8	565-575
L65DR24L	24	20	24	25	5	20	30	Red	10	595-705
L65DY24L	24	20	24	25	5	20	30	Yellow	20	580-590

Compliances and Approvals



Mouser Electronics

Authorized Distributor

Click to View Pricing, Inventory, Delivery & Lifecycle Information:

VCC:

[L65DY24L](#) [L65DR24L](#) [L65DY12L](#) [L65DR2L](#) [L65DG24L](#) [L65DG12L](#) [L65DG2L](#) [L65DR12L](#) [L65DY2L](#)