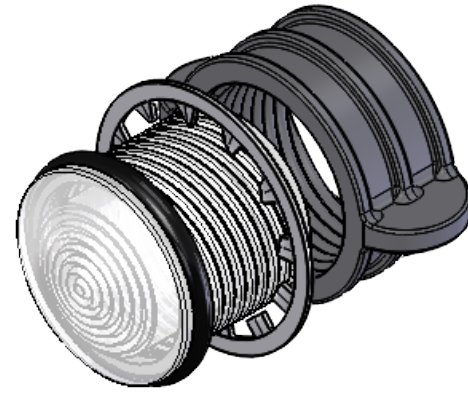


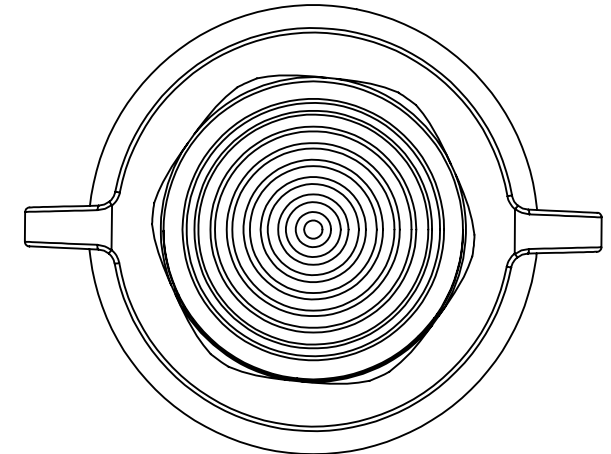
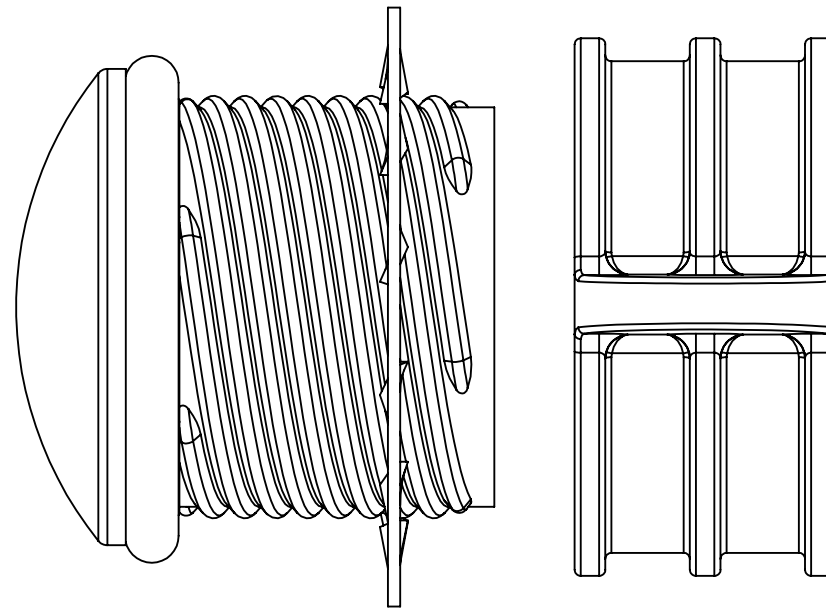
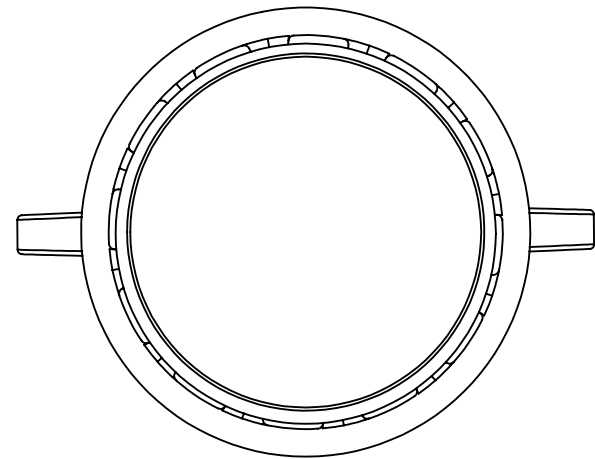
NOTES:

1. MOUNTING: MOUNTS IN A $\phi .562 \pm .002$ [$\phi 16.56\text{mm} \pm .05$] PANEL HOLE ON $.750$ [19.05mm] CENTERS. PANEL THICKNESS $.031$ [$.8\text{mm}$] TO $.187$ [4.75mm]. PANEL HOLE SHOULD BE DEBURRED, BUT NOT CHAMFERED.
2. ASSEMBLY: INSERT LENS THROUGH PANEL HOLE, SLIDE LOCK WASHER ONTO LENS BARREL AND TWIST ON RETAINING RING. PCB MOUNTED LED'S SLIDE INTO LENS WHEN THE PANEL COVER IS CLOSED OR THE PCB CARD IS INSERTED INTO THE CASE.
3. MATERIAL: LENS-POLYCARBONATE, UL 94-V2
 LOCK WASHER- FH STEEL, NICKEL PLATE
 RETAINING RING - THERMOPLASTIC, U.L. 94 V0 RATED
 SEAL- EPDM
4. SOME PARTS PACKAGED SEPERATELY
5. U.S. & FOREIGN PAT. ISSUED & PEND.



ISOMETRIC VIEW
ONLY FOR REF.

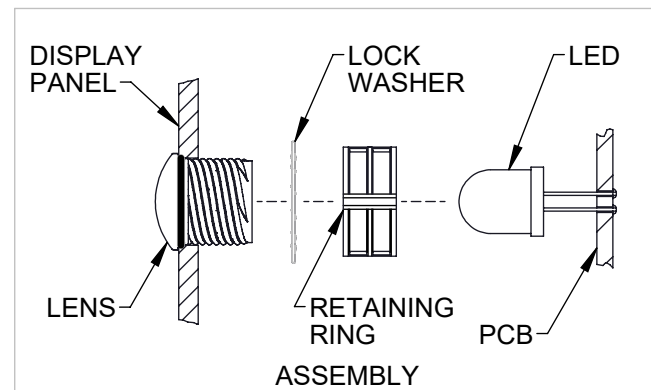
REVISIONS				
ECN#	REV.	DESCRIPTION	DATE	INITIALS
	001	REVISED PER ECR111009AZ01	7/7/10	KH
2148	002	RETAINING RING PART NUMBER UPDATED	TBD	AS



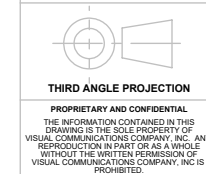
ORDERING CODE : **HMS 462 XXX**

MODEL

LENS COLOR	
RTP	RED TRANSPARENT
ATP	AMBER TRANSPARENT
GTP	GREEN TRANSPARENT
BTP	BLUE TRANSPARENT
YTP	YELLOW TRANSPARENT
CTP	CLEAR TRANSPARENT



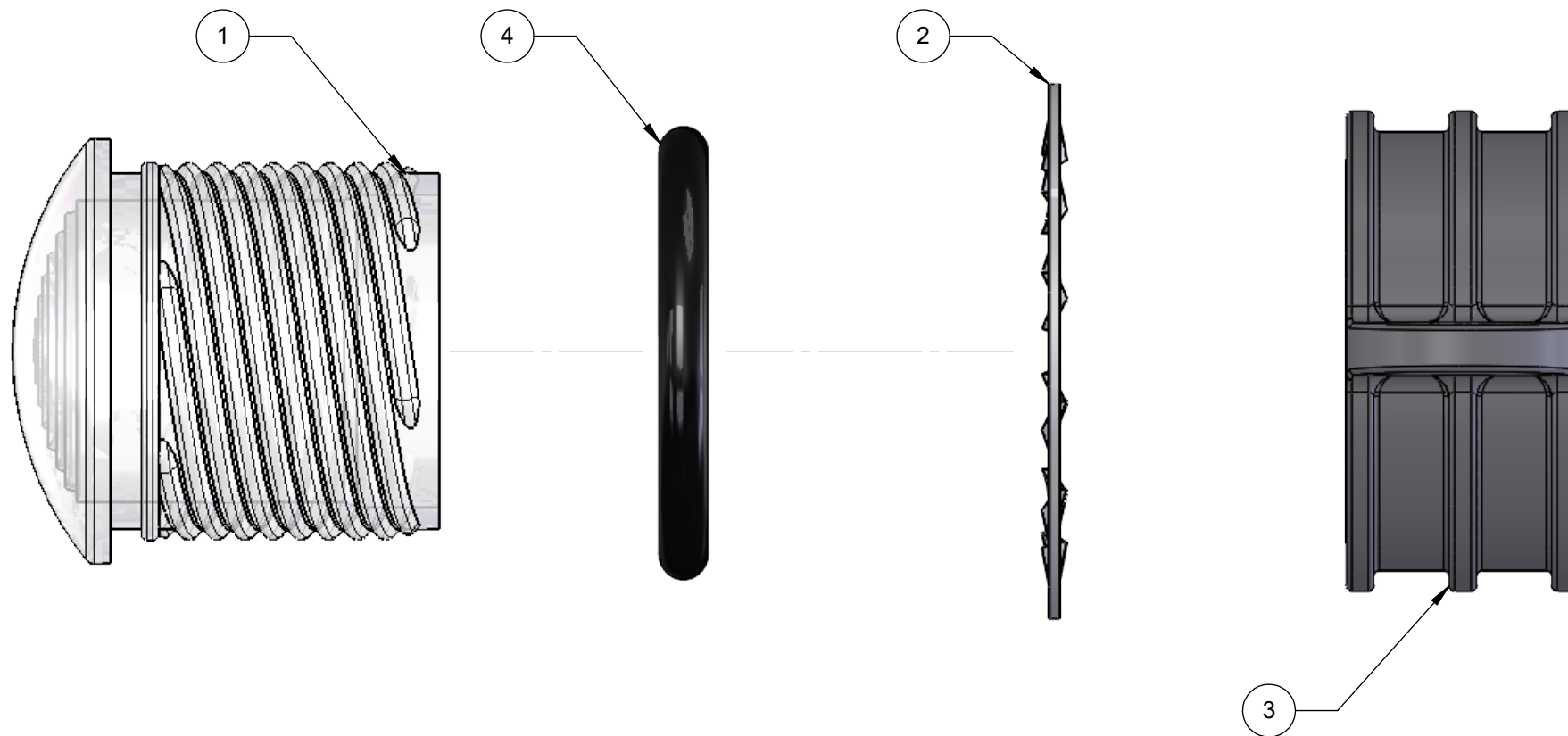
DIMENSION STYLE: INCHES / MM GENERAL TOLERANCES UNLESS OTHERWISE SPECIFIED		
	INCHES	MM
.X	$\pm .020$	$\pm .508$
.XX	$\pm .010$	$\pm .254$
.XXX	$\pm .005$	$\pm .127$
ANGLE $\pm 1^\circ$ BREAK ALL CORNERS AND SHARP EDGES .030 MAX		



MATERIAL SEE NOTES	
FINISH SEE NOTES	
APPROVAL	DATE
DRAWN: K.Howard	7/7/10
CHECKED: DPZ	7/7/10
DO NOT SCALE DRAWING	

 190 BOSSTICK BLVD, SUITE 101 SAN MARCOS, CA 92069 U.S.A PHONE: (760) 560-1300, FAX: (760) 560-1301 EMAIL: vccsales@vcclite.com		
TITLE: CLIPLITE HMS 462 ASSEMBLY		
SIZE B	DWG. NO. HMS 462 XXX_E	REV 002
SCALE: 4:1		SHEET 1 OF 4

ITEM NO.	PART NUMBER	DESCRIPTION	QTY.
1	461 XXX	10mm STANDARD THREADED FRESNEL LENS	1
2	HLW 461	10mm LOCKWASHER	1
3	RTN_714	NUT, RETAINING 14MM	1
4	HLS 462 BLK	10MM MOISTURE SEAL	1



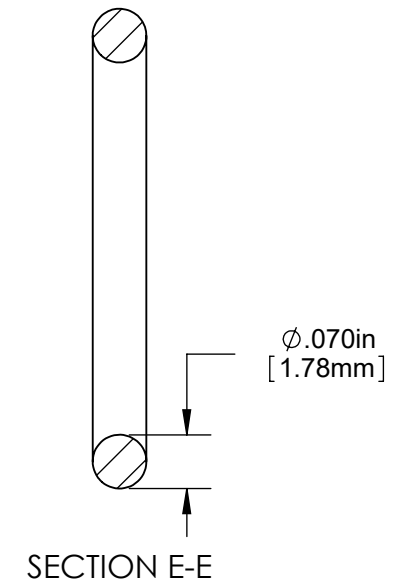
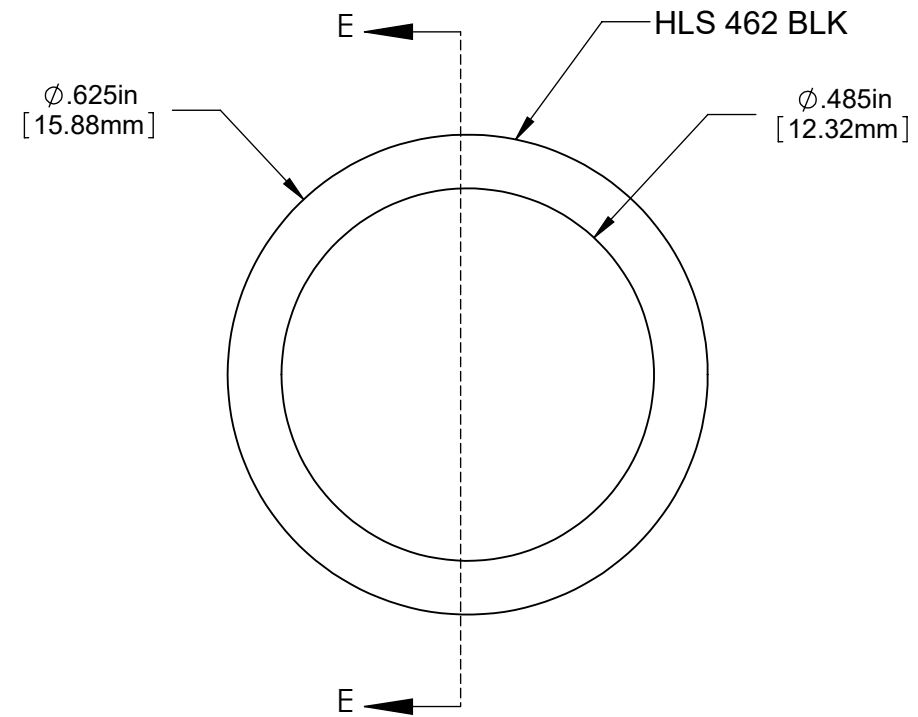
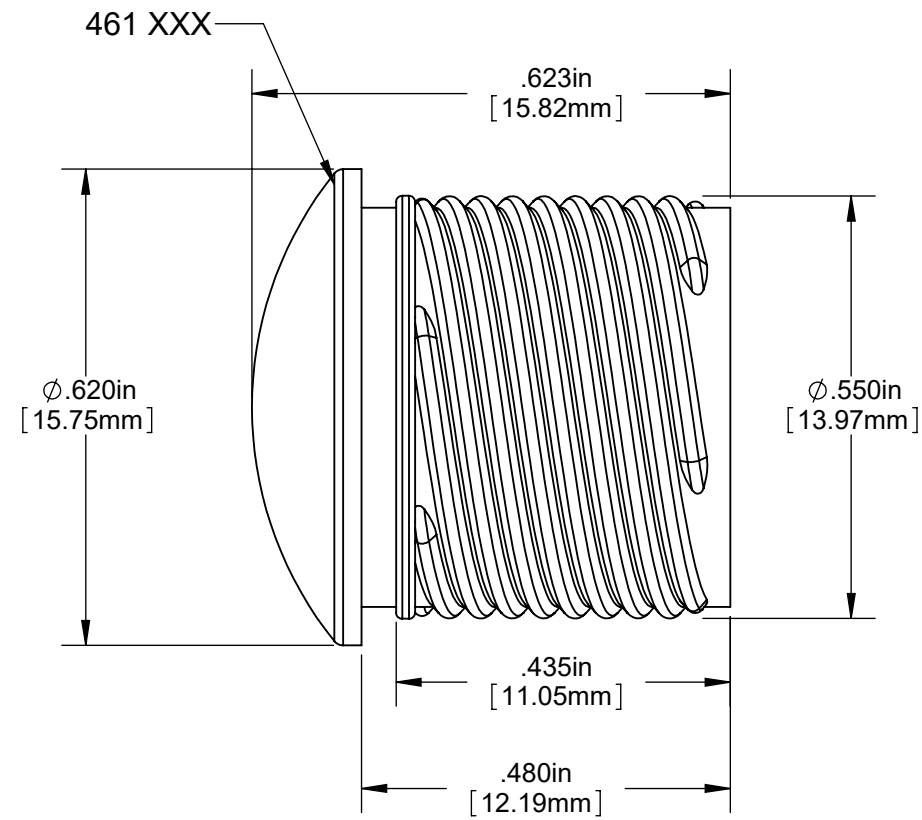
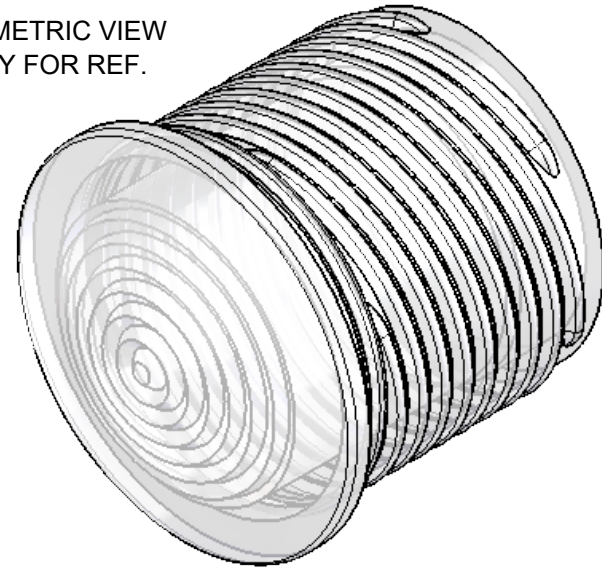
DIMENSION STYLE: INCHES / MM GENERAL TOLERANCES UNLESS OTHERWISE SPECIFIED	
	INCHES MM
.X	± .020 ± .508
.XX	± .010 ± .254
.XXX	± .005 ± .127
ANGLE ± 1°	
BREAK ALL CORNERS AND SHARP EDGES .001 MAX.	
THIRD ANGLE PROJECTION	
<small>PROPRIETARY AND CONFIDENTIAL THE INFORMATION CONTAINED IN THIS DRAWING IS THE SOLE PROPERTY OF VISUAL COMMUNICATIONS COMPANY, INC. ANY REPRODUCTION IN PART OR AS A WHOLE WITHOUT THE WRITTEN PERMISSION OF VISUAL COMMUNICATIONS COMPANY, INC IS PROHIBITED.</small>	

MATERIAL	
SEE NOTES	
FINISH	
SEE NOTES	
APPROVAL	DATE
DRAWN K.Howard	7/7/10
CHECKED DPZ	7/7/10
DO NOT SCALE DRAWING	

<small>190 BOSSTICK BLVD. SUITE 101 SAN MARCOS, CA 92069 U.S.A PHONE: (760) 560-1300, FAX: (760) 560-1301 EMAIL: vccsales@vcclite.com</small>		
TITLE: CLIIPLITE HMS 462 ASSEMBLY		
SIZE	DWG. NO.	REV
B	HMS 462 XXX_E	002
SCALE: 4:1		SHEET 2 OF 4

NOTES:
USE FOR REFERENCE ONLY

ISOMETRIC VIEW
 ONLY FOR REF.



DIMENSION STYLE: INCHES / MM	
GENERAL TOLERANCES UNLESS OTHERWISE SPECIFIED:	
INCHES	MM
.X	± .020 ± .508
.XX	± .010 ± .254
.XXX	± .005 ± .127

ANGLE ± 1°
 BREAK ALL CORNERS AND SHARP EDGES .030 MAX.



THIRD ANGLE PROJECTION
 PROPRIETARY AND CONFIDENTIAL
 THE INFORMATION CONTAINED IN THIS DRAWING IS THE SOLE PROPERTY OF VISUAL COMMUNICATIONS COMPANY, INC. ANY REPRODUCTION IN PART OR AS A WHOLE WITHOUT THE WRITTEN PERMISSION OF VISUAL COMMUNICATIONS COMPANY, INC. IS PROHIBITED.

MATERIAL
 SEE NOTES

FINISH
 SEE NOTES

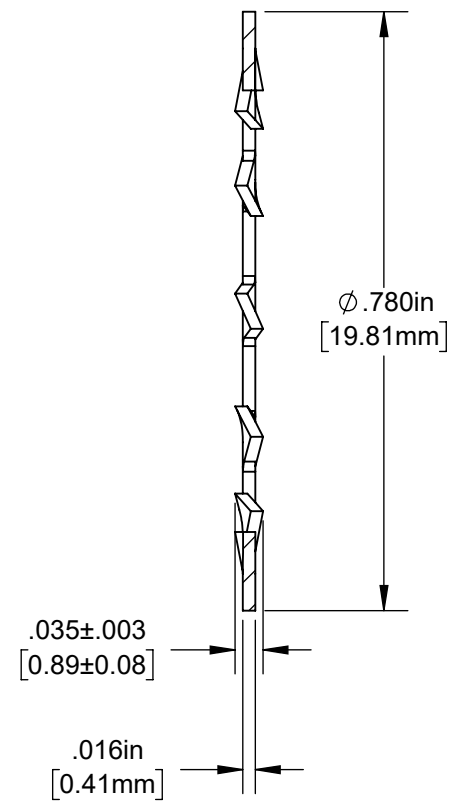
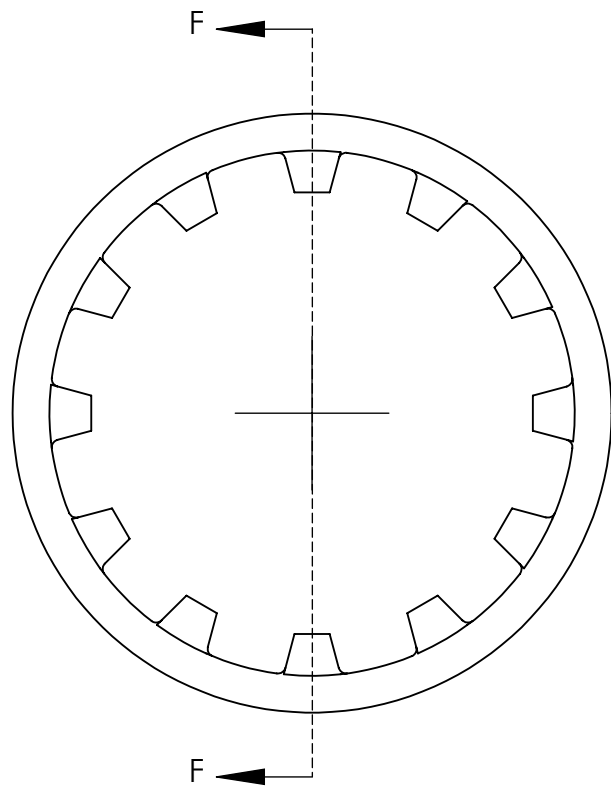
APPROVAL	DATE
DRAWN K.Howard	7/7/10
CHECKED DPZ	7/7/10
DO NOT SCALE DRAWING	

VGG OPTOELECTRONICS
 190 BOSSTICK BLVD. SUITE 101 SAN MARCOS, CA 92069 U.S.A
 PHONE: (760) 560-1300, FAX: (760) 560-1301 EMAIL: vccsales@vccilite.com

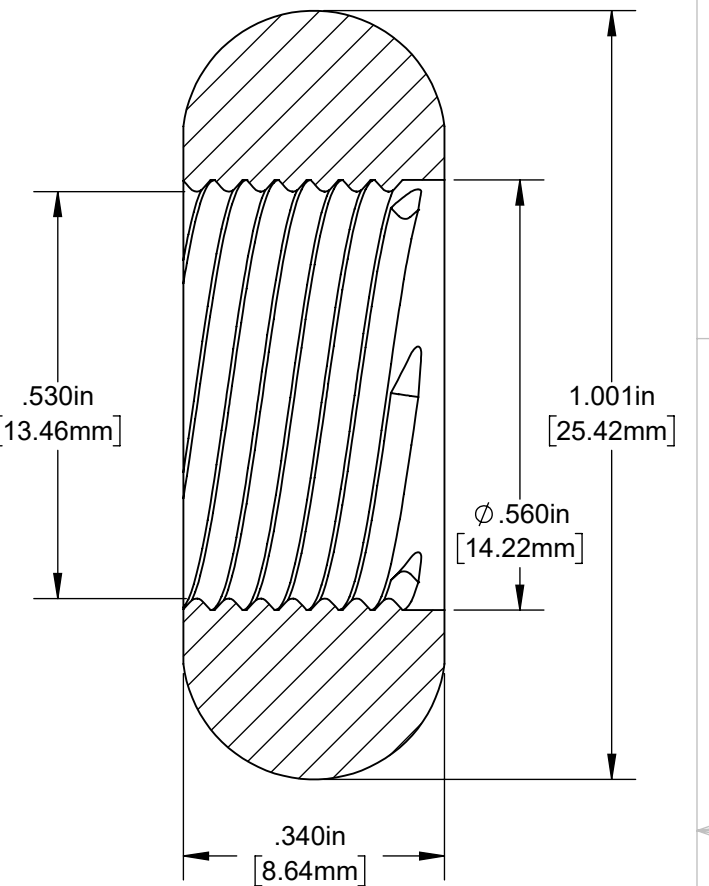
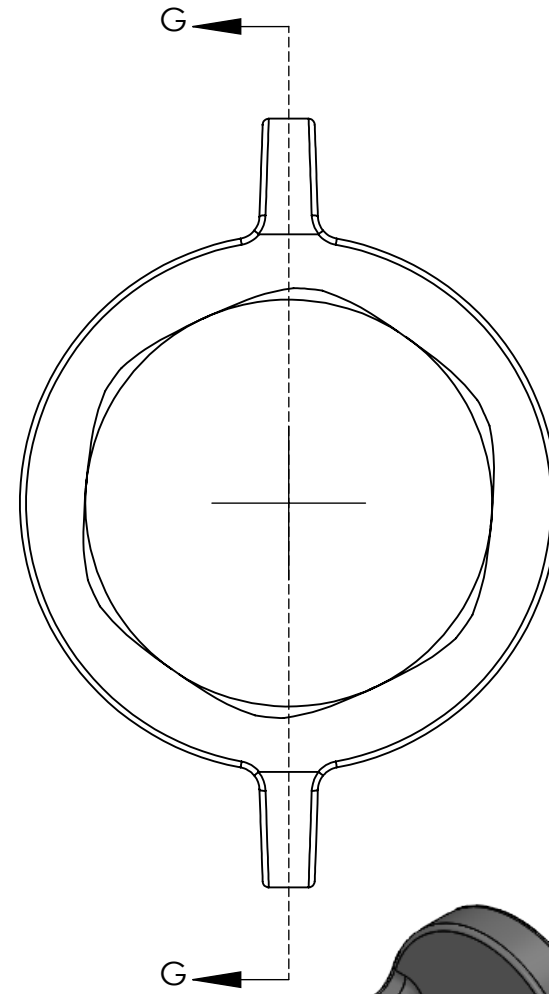
TITLE:
10MM STANDARD THREADED FRESNEL LENS W/SEAL

SIZE	DWG. NO.	REV
B	HMS 462 XXX_E	002
SCALE: 4:1		SHEET 3 OF 4

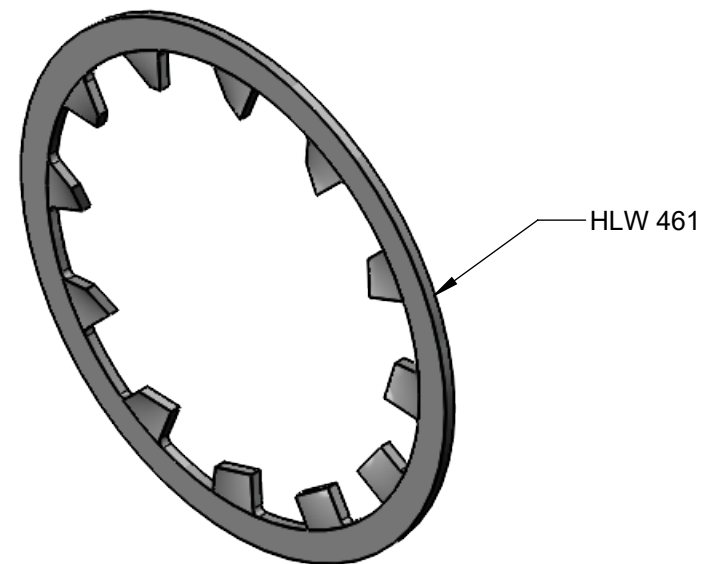
NOTES:
USE FOR REFERENCE ONLY



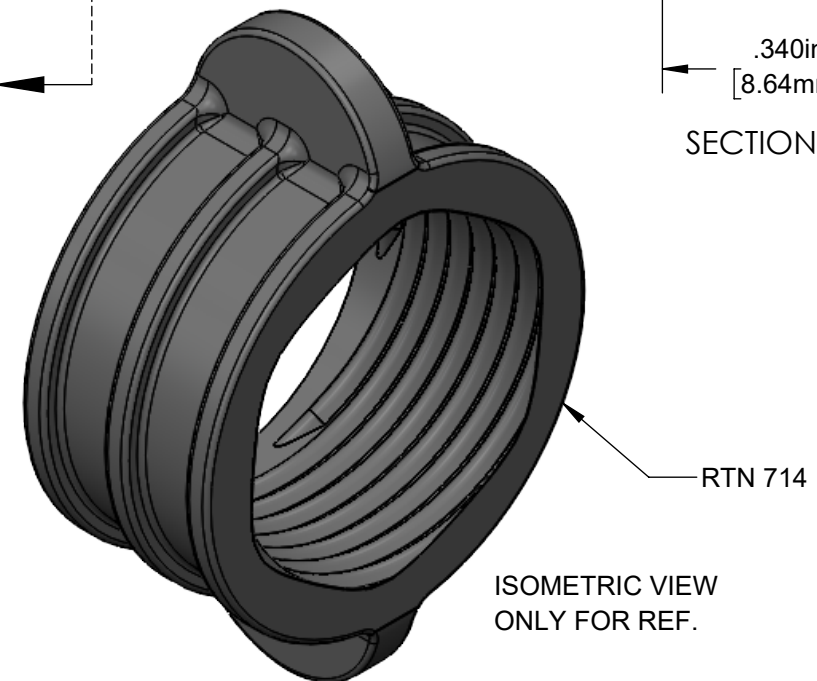
SECTION F-F



SECTION G-G



ISOMETRIC VIEW ONLY FOR REF.



ISOMETRIC VIEW ONLY FOR REF.

DIMENSION STYLE: INCHES / MM
 GENERAL TOLERANCES UNLESS OTHERWISE SPECIFIED

	INCHES	MM
.X	± .020	± .508
.XX	± .010	± .254
.XXX	± .005	± .127

ANGLE ± 1°
 BREAK ALL CORNERS AND SHARP EDGES: 3/32 MAX



THIRD ANGLE PROJECTION

PROPRIETARY AND CONFIDENTIAL
 THE INFORMATION CONTAINED IN THIS DRAWING IS THE SOLE PROPERTY OF VISUAL COMMUNICATIONS COMPANY, INC. ANY REPRODUCTION IN PART OR AS A WHOLE WITHOUT THE WRITTEN PERMISSION OF VISUAL COMMUNICATIONS COMPANY, INC IS PROHIBITED.

MATERIAL

SEE NOTES

FINISH

SEE NOTES

APPROVAL

DATE

DRAWN K.Howard

7/7/10

CHECKED DPZ

7/7/10

DO NOT SCALE DRAWING

VCC OPTOELECTRONICS

190 BOSSSTICK BLVD, SUITE 101 SAN MARCOS, CA 92069 U.S.A
 PHONE: (760) 560-1300, FAX: (760) 560-1301 EMAIL: vccsales@vcclite.com

TITLE:
**10mm LOCKWASHER
 W/ RETAINING RING NUT**

SIZE

DWG. NO.

REV

B

HMS 462 XXX_E

002

SCALE: 4:1

SHEET 4 OF 4