

Excelon modular system

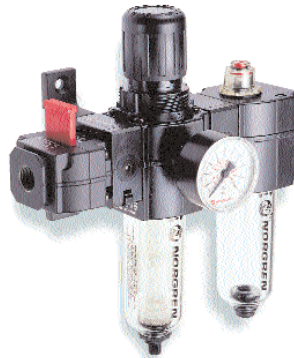
Boxed sets and combination units

Filter/regulators and lubricators

G $\frac{1}{4}$ to G $\frac{1}{2}$



BL72



BL73



BL74

Boxed sets include: filter/regulator and micro-fog lubricator complete with exhausting shut-off valve, pressure gauge and mounting brackets

High efficiency water and particle removal

Quick release bayonet bowls

Push to lock adjusting knob with tamper resistant option

All round (360°) visibility of lubricator sight feed dome for ease of drip rate setting

Micro-fog lubricator for most general purpose pneumatic applications

Technical data

Medium:

Compressed air

Maximum inlet pressure:

Transparent & guarded bowls: 10 bar

Metal: 17 bar

Ambient temperature:

Transparent & guarded bowls:

-20°C to +50°C

Consult our Technical Service for use below +2°C

Materials

BL72, FL72:

Polycarbonate bowl standard, zinc bowl optional. Zinc body. Neoprene, nitrile and Geolast elastomeric materials. Transparent nylon liquid level indicator lens for metal bowl. Filter/regulator: Acetal bonnet. Sintered polypropylene element. Brass valve.

Lubricator: Transparent nylon sight-feed dome.

BL73:

Aluminium bonnet, brass valve
Sintered plastic element
Aluminium body and bowl
Transparent nylon liquid level indicator and sight feed dome
Neoprene and nitrile elastomers

| | Port size | Element (µm) | Bowl | Pressure range (bar) | kg | Operation | Model Auto * | Manual ** |
|--|-----------|--------------|---------------------|----------------------|------|-----------|--------------|-----------|
| Boxed sets | G1/4 | 40 | Transparent | 0,3 ... 10 | 1,65 | Relieving | BL72-201GA | BL72-221G |
| | G3/8 | 40 | Transparent | 0,3 ... 10 | 2,26 | Relieving | BL73-301G | BL73-321G |
| | G1/2 | 40 | Guarded transparent | 0,3 ... 10 | 3,55 | Relieving | BL74-401G | BL74-421G |
| Filter-regulator & lubricator combinations | G1/4 | 40 | Transparent | 0,3 ... 10 | 1,67 | Relieving | BL72-208GA | BL72-228G |
| | G3/8 | 40 | Transparent | 0,3 ... 10 | 1,67 | Relieving | BL72-308GA | BL72-328G |
| | G3/8 | 40 | Transparent | 0,3 ... 10 | 2,26 | Relieving | BL73-308G | BL73-328G |
| | G1/2 | 40 | Transparent | 0,3 ... 10 | 2,26 | Relieving | BL73-408G | BL73-428G |
| | G1/2 | 40 | Guarded transparent | 0,3 ... 10 | 3,50 | Relieving | BL74-408G | BL74-428G |
| | G3/4 | 40 | Guarded transparent | 0,3 ... 10 | 3,55 | Relieving | BL74-608G | BL74-628G |
| Filter & lubricator combinations | G1/4 | 40 | Transparent | | 1,95 | | FL72-208GA | FL72-228G |
| | G3/8 | 40 | Transparent | | 1,95 | | FL72-308GA | FL72-328G |

* For metal bowl options substitute '5' at 7th digit e.g. BL73-351G ** For metal bowl options substitute '6' at 7th digit e.g. BL72-261G

Options selector

| Units | Substitute | Drain | Substitute |
|--|------------|--|------------|
| Filter-regulator-lubricator combinations | B | Auto drain (72 only) | A |
| Filter-lubricator combinations | F | | |
| Series | Substitute | Accessories | Substitute |
| 72 | 2 | Shut-off valve & gauge & brackets | 1 |
| 73 | 3 | Shut-off valve & gauge | 2 |
| 74 | 4 | Shut-off valve & bracket | 3 |
| | | Shut-off valve | 4 |
| | | Gauge & bracket | 5 |
| | | Gauge | 6 |
| | | Bracket | 7 |
| | | None | 8 |
| Port size | Substitute | Units | Substitute |
| 1/4 | 2 | Micro-fog lubricator & auto drain* filter (Filter-regulator) | 0 |
| 3/8 | 3 | Oil-fog lubricator & auto drain filter (Filter-regulator) | 1 |
| 1/2 | 4 | Micro-fog & manual drain | 2 |
| 3/4 | 6 | Oil-fog & manual drain | 3 |
| | | Micro-fog lubricator & auto drain & metal bowl | 5 |
| | | Oil-fog lubricator & auto drain & metal bowl | 6 |
| | | Micro-fog lubricator & manual drain & metal bowl | 7 |
| | | Oil-fog lubricator & manual drain & metal bowl | 8 |

* Semi-auto 72 only

BL74:

Aluminium bonnet, brass valve. Sintered plastic element. Aluminium body, transparent polycarbonate with steel bowl guard. Transparent nylon sight-feed dome, neoprene and nitrile elastomers.

Excelon modular system

Boxed sets and combination units

Filter/regulators and lubricators

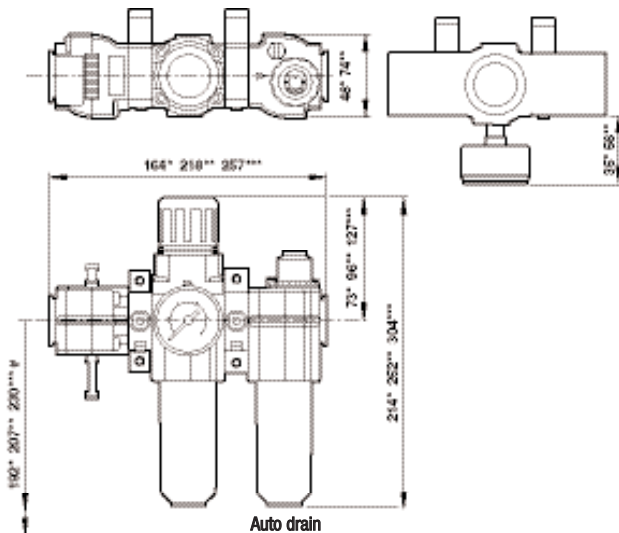
G $\frac{1}{4}$ to G $\frac{1}{2}$

Accessories

| Series | Port size | Gauge 0 ... 10 bar ‡ | Tamper resistant cover and seal wire | Seal wire | Tamper resistant snap-on cap for lubricator sight feed dome | Exhaust port silencer 3/2 Shut-off valve | 3/2 Shut-off valve | Wall mounting bracket |
|--------|-----------------|-------------------------|--|-----------|---|---|-----------------------|--------------------------|
| | | | | | | | | |
| BL72 | G $\frac{1}{4}$ | 18-013-989 | 4255-51 | 2117-01 | 4050-89 | T40M0500 | T72T-2GA-P1N | 4213-89 |
| FL72 | G $\frac{3}{8}$ | – | – | – | 4050-89 | – | T72T-3GA-P1N | 4213-89 |
| BL73 | G $\frac{3}{8}$ | 18-013-013 | 4455-51 | 2117-01 | 4050-89 | T40M0500 | T73T-3GA-P1N | 4313-50 |
| FL73 | G $\frac{1}{2}$ | – | – | – | 4050-89 | – | T73T-4GA-P1N | 4313-50 |
| BL74 | G $\frac{1}{2}$ | 18-013-013 | 4355-50* | 2117-01 | – | T40B1800 | T74T-4GA-P1N | 4313-50 |
| FL74 | G $\frac{3}{4}$ | – | – | – | – | – | T74T-6GA-P1N | 4313-50 |

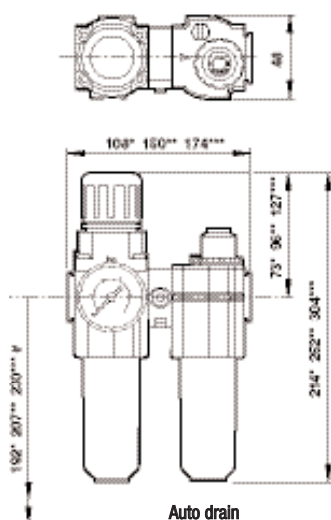
Pack of 10. ‡ For additional gauges see page 486 * Seal wire not included.

Boxed sets



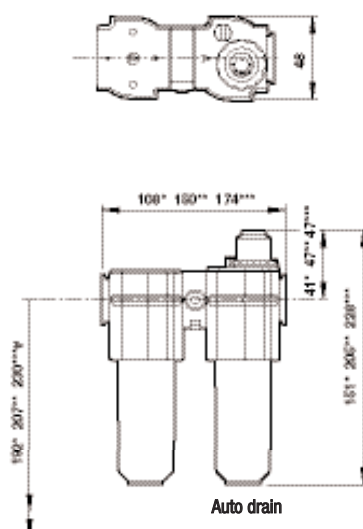
*BL72 **BL73 ***BL74 # Minimum clearance required to remove bowl.

Filter/regulator & lubricator combinations



*BL72 **BL73 ***BL74 # Minimum clearance required to remove bowl.

Filter & lubricator combinations



*BL72 **BL73 ***BL74 # Minimum clearance required to remove bowl.